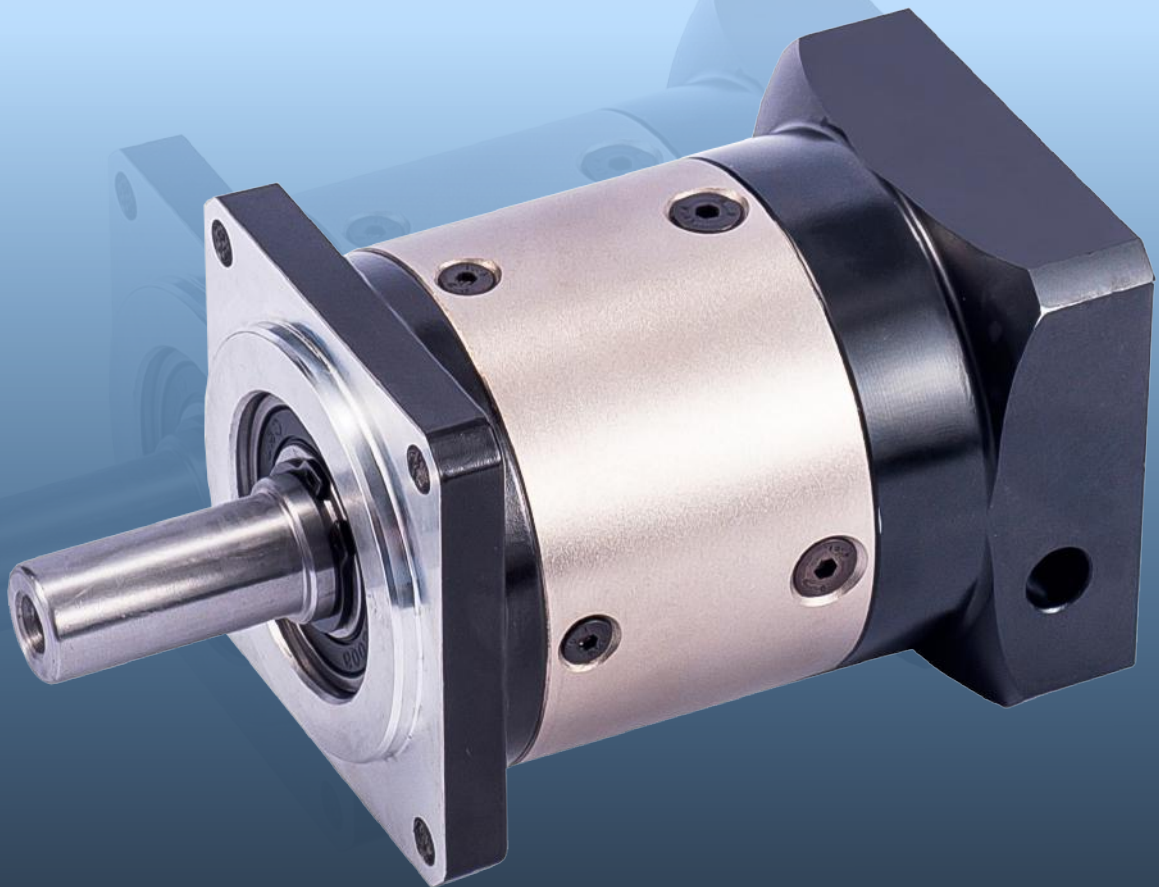




WANSIHSIN

WPF Series

Economical Planetary Gearbox



ATB Automation
Mechanics | Motion Control

WPF Series

Economical planetary gear



- Economical
- Maintenance-free
- Compact

ORDERING CODE

W PF 060 010 K P2 FG
1 2 3 4 5 6 7

1 Wanshsin mark

2 PF: Type of gearbox

3 Size: 042 060 080 090 115 142

4 Ratio: 3.....100

5 Output shaft: K Key
S Smooth

6 Backlash: P2 Standard

7 FG: Food grade grease (Optional)

PRODUCT FEATURES

- Precision spur gearing, small, compact
- Fully sealed structure to ensure that grease does not leak, maintenance-free
- Transmission efficiency up to 96%

WPF Series

Economical planetary gear

PERFORMANCE TABLE

Specifications	Unit	Stages	Reduction ratio (i)	WPF 042	WPF 060	WPF 080	WPF 090	WPF 115	WPF 142
Rated output torque	Nm	(L1)	3	8	18	40	50	125	290
			4	12	36	90	110	230	460
			5	16	40	110	125	260	550
			6	–	20	40	50	90	340
			7	8	20	40	50	90	340
			8	–	12	22	32	70	210
			10	5	12	22	32	70	210
			12	8	36	90	110	230	460
			15	16	40	110	125	260	550
			16	12	36	90	110	230	460
			20	16	40	110	125	260	550
			25	16	40	110	125	260	550
			28	12	36	90	110	230	460
			30	8	18	40	50	125	290
			35	16	40	110	125	260	550
			40	18	36	90	110	230	460
50	16	40	110	125	260	550			
60	–	–	–	–	–	340			
70	8	20	40	50	90	340			
80	–	–	–	–	–	210			
100	–	12	22	32	70	210			
Device motor shaft	mm	1,2	3 – 100	6 – 9	6 – 14	14 – 19	14 – 19	16 – 24	19 – 35
Acceleration torque	Nm	1,2	3 – 100	120% of the rated torque					
Emergency stop torque	Nm	1,2	3 – 100	200% of the rated torque					
Max input speed	rpm	1,2	3 – 100	4000	4000	3500	3500	3500	2500
Backlash P2 (standard)	arcmin	1	3 – 10	≤20	≤10	≤10	≤10	≤10	≤10
		2	12 – 100	≤22	≤12	≤12	≤12	≤12	≤12
Torsional rigidity	Nm/arcmin	1,2	3 – 100	0.65	1.8	4.7	4.85	11	55
Radial load	N	1,2	3 – 100	135	220	400	430	1000	3500
Axial load	N	1,2	3 – 100	165	240	420	450	1240	3700
Efficiency (%)	%	1	3 – 10	≥96%					
		2	12 – 100	≥93%					
Weight	kg	1	3 – 10	0.4	1.1	2.1	4.4	6.6	14.0
		2	12 – 100	0.5	1.4	3.0	5	8.2	17.1
Temperature	°C	1 – 2	3 – 100	-10 °C ~ 90 °C					
Protection class		1 – 2	3 – 100	IP54					
Lubrication		1 – 2	3 – 100	Full synthetic grease (optional: Food grade grease)					
Mounting direction		1 – 2	3 – 100	In any direction					
Noise	dB(A)	1 – 2	3 – 100	≤61	≤61	≤63	≤63	≤68	≤75

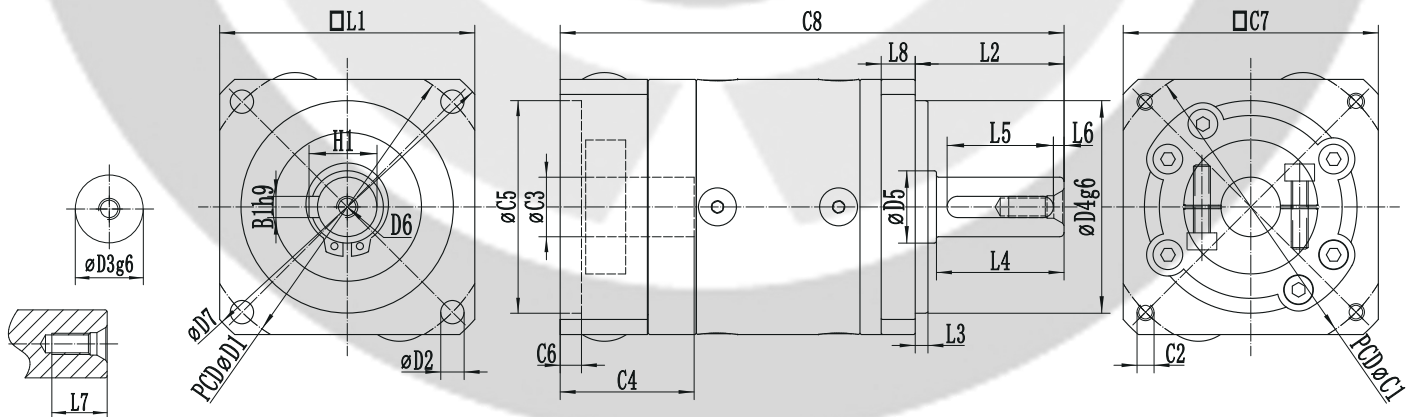
WPF Series

Economical planetary gear

DIMENSIONS: 1 – STAGE (L1)

Size	WPF042	WPF060	WPF080	WPF090	WPF115	WPF142
D1	50	70	100	110	130	185
D2	4.5	5.5	6.5	6.5	8.5	11
D3	10	14	20	22	25	40
D4	26	50	80	85	110	130
D5	12	17	25	30	35	55
D6	M4	M5*0.8P	M6*1.0P	M6*1.0P	M10*1.75P	M12*1.75PL
D7	58	80	120	125	160	230
L1	42	60	90	92	120	176
L2	26	35	40	46	55	87
L3	2	3	3	5	4	5
L4	22.5	30	36	36	50	80
L5	16	25	25	32	40	70
L6	2.5	2.5	5	2	5	5
L7	10	12.5	18	18	23	25
L8	5	8	10	10	14	15
C1*	46	70	90	90	145	200
C2*	M4	M4	M5	M5	M8	M12
C3*	5 – 8	6 – 14	14 – 19	14 – 19	19 – 24	24 – 35
C4*	26	31.5	41	41	60	83
C5*	30	50	70	70	110	114.3
C6*	5	5	6	5	14	10
C7*	42	60	80	80	130	180
C8*	86	118.5	153	159	204.5	268.5
B1	3	5	6	6	8	12
H1	11.2	16	22.5	24.5	28	43

*Other motor dimensions on request.



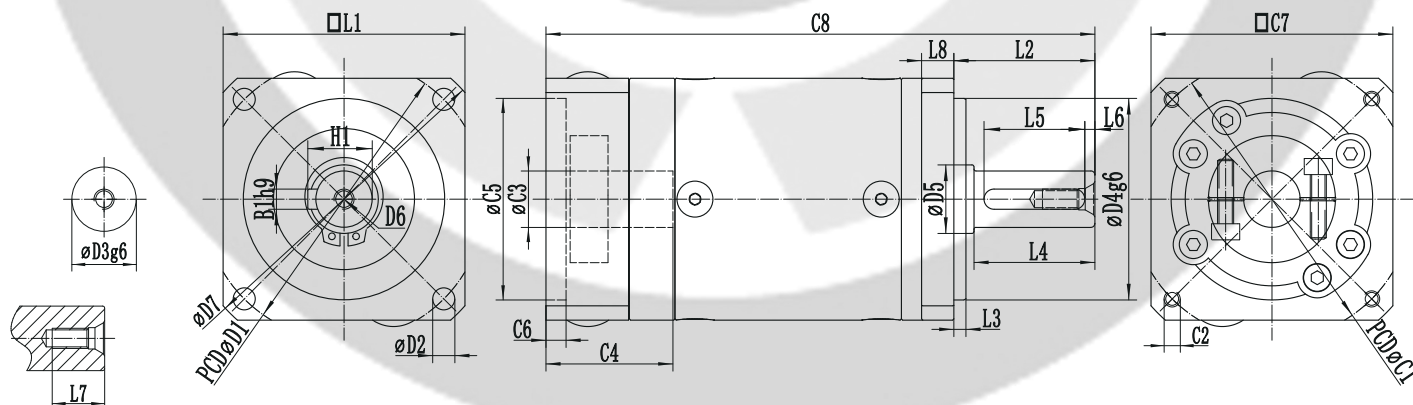
WPF Series

Economical planetary gear

DIMENSIONS: 2 – STAGE (L2)

Size	WPF042	WPF060	WPF080	WPF090	WPF115	WPF142
D1	50	70	100	110	130	185
D2	4.5	5.5	6.5	6.5	8.5	11
D3	10	14	20	22	25	40
D4	26	50	80	85	110	130
D5	12	17	25	30	35	55
D6	M4	M5*0.8P	M6*1.0P	M6*1.0P	M10*1.75P	M12*1.75P
D7	58	80	120	125	160	230
L1	42	60	90	92	120	176
L2	26	35	40	46	55	87
L3	2	3	3	5	4	5
L4	22.5	30	36	36	50	80
L5	16	25	25	32	40	70
L6	2.5	2.5	5	2	5	5
L7	10	12.5	18	18	23	25
L8	5	8	10	10	14	15
C1*	46	70	90	90	145	200
C2*	M4	M4	M5	M5	M8	M12
C3*	5 – 8	6 – 14	14 – 19	14 – 19	19 – 24	24 – 35
C4*	26	31.5	41	41	60	83
C5*	30	50	70	70	110	114.3
C6*	5	5	6	5	14	10
C7*	42	60	80	80	130	180
C8*	104	137.5	177.4	183.4	237	313.5
B1	3	5	6	6	8	12
H1	11.2	16	22.5	24.5	28	43

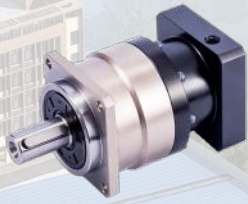
*Other motor dimensions on request.



Wanshsin

Delivery program

WVRB



WAE



WAB



WVRBR



WAER



WABR



WAD



WPF



WPL



WADR



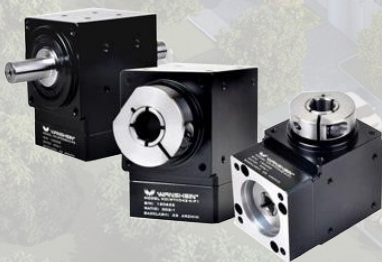
WPFR



WPLR



WR



WTN



MOTOR ASSEMBLY







Wanshin and ATB Automation

Wanshin Seikou with headquarter in Changsha City (Hunan) is a large group integrating R&D, production and sales of precision reducers. There are two fully owned subsidiaries, located in Guangdong and Shangdong. The company was established in Taiwan in 1990s and moved in 2009 to China to meet the rapid growth.

Since 2014 Wanshin Seikou is located in Changsha City and constructed a high-standard modern industrial park. It covers an area of 70.000 square meters with a total investment of 40 million Euro.

Wanshin Seikou integrates advanced technologies of Germany in combination with characteristics of Taiwan: sense and simplicity. The company always adheres to the electrical and mechanical cutting-edge technologies of Germany, elegant production process, establishes strategic cooperation partnership with a number of German research laboratories to develop new products and to optimize the product structure.

Since 2017 ATB Automation is the distributor for the precision gearboxes and responsible for customers in the Benelux. ATB Automation offers their customers quick deliveries and advices in the selection of the gearboxes. ATB Automation can also deliver the Wanshin products in a complete solution of servo systems with several brands of servo motors, drives and linear systems.

 www.atbautomation.eu / www.wanshin.eu

 wanshin@atbautomation.eu

 +31 297 28 58 21 / +32 2 588 80 05



ATB Automation
Mechanics | Motion Control