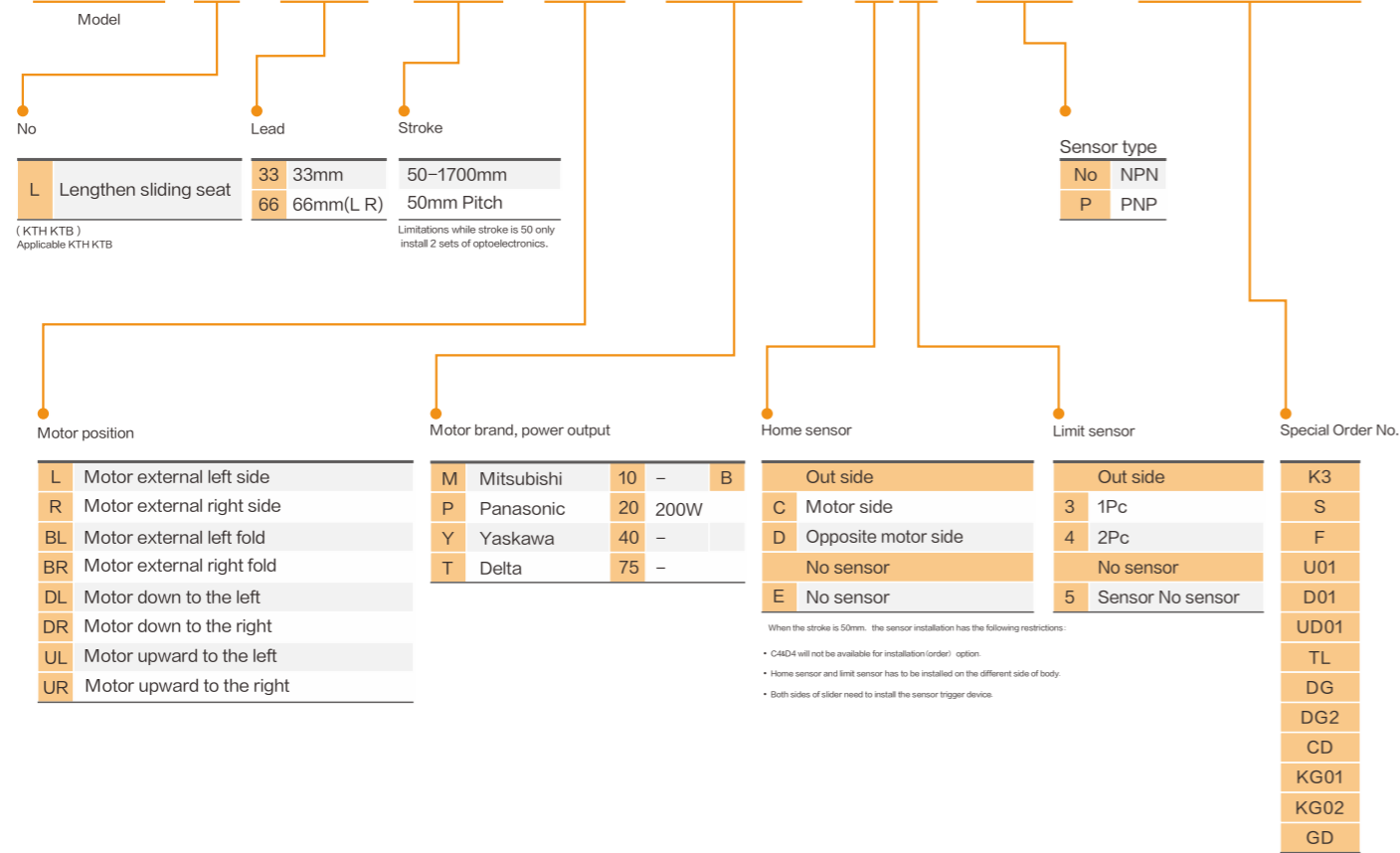


Timing belt module specification

KTB14 - L33 - 100 - BL - P20B - C4 (P) - Special



Special Order No.

Refer to the table below

Name	Detailed information
K3	Module mounting with 3:1 reducer
S	Short sliding
F	Dust Cover
U01	Up installation hole customization
D01	Down installation hole customization
UD01	Both up and down installation hole customization
TL	Drag Chain
DG	Auxiliary Guide Rail on the Outside of module
DG2	Module Internal Replacement Guide Rail
CD	Module is driven shaft
KG01	Switch Mounting Plate, M2.5 Hole, Spacing 8
KG02	Long Switch Mounting Plate, Spacing 8
GD	Pull steel belt structure

KTB Series

Belt Drive

CONTENTS

General belt series

KTB14M



Maximum stroke 3050mm
Maximum load 25kg
Body width 135mm

KTB22M



Maximum stroke 3400mm
Maximum load 85kg
Body width 220mm

KTB17M



Maximum stroke 3050mm
Maximum load 45kg
Body width 170mm

General belt series

KTB14M

1-axis



This figure is for reference only. the shipping specifications are detailed in the dimension drawing.

Maximum stroke	3050mm	Maximum speed	2000mm/s	Motor capacity	200W	Belt Width	22mm
----------------	--------	---------------	----------	----------------	------	------------	------

Motor direction



Ordering method

KTB14M - L40 - 100 - LB - P20 - C4 - Special

Special Order No.

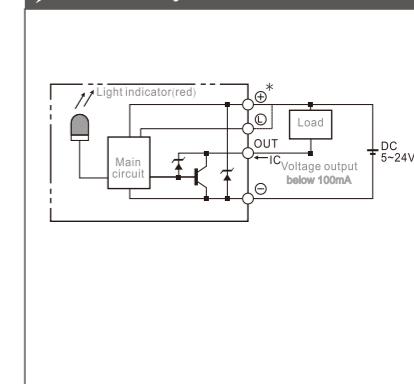
Model	Stroke	Motor brand, power output	Home sensor	Limit sensor
Lead 40 40mm	50-3050mm 50mm Pitch <small>Limitations while stroke is 50 only install 2 sets of optoelectronics.</small>	M Mitsubishi 10 - P Panasonic 20 200W Y Yaskawa 40 - T Delta 75 - <small>If no brake, no description.</small>	Out side C Motor side D Opposite motor side No sensor E No sensor	Out side 3 1Pc 4 2Pc No sensor 5 No sensor
Motor position				
LB Motor external left fold RB Motor external right fold LU Motor upward to the left RU Motor upward to the right LD Motor down to the left RD Motor down to the right				

Specification

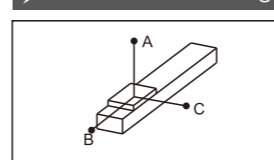
Spec	Repeatability	mm	± 0.04	
	Lead	mm	40	
	Maximum speed	mm/s	2000	
	Maximum payload	Horizontal	kg	25
		Vertical	kg	
	Rated thrust	N	100	
Stroke pitch	mm	50-3050mm/50 pitch		
Parts	AC Servo motor output	W	200	
	Belt Width	mm	22	
	High rigidity linear guide	mm	W15XH12.5	
	Home sensor	Outside	EE-SX672(NPN)	

Acceleration and deceleration value is set 0.4 second.

Sensor layout



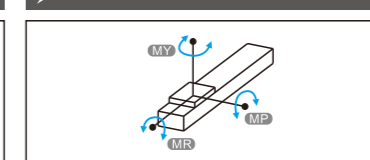
Allowable overhang



(Unit:mm)

Horizontal Installation	A	B	C
Lead 40	10kg	1794	688 538
	20kg	858	324 253
	25kg	670	251 197

Static loading moment



(Unit:N.m)

MY	551
MP	552
MR	485

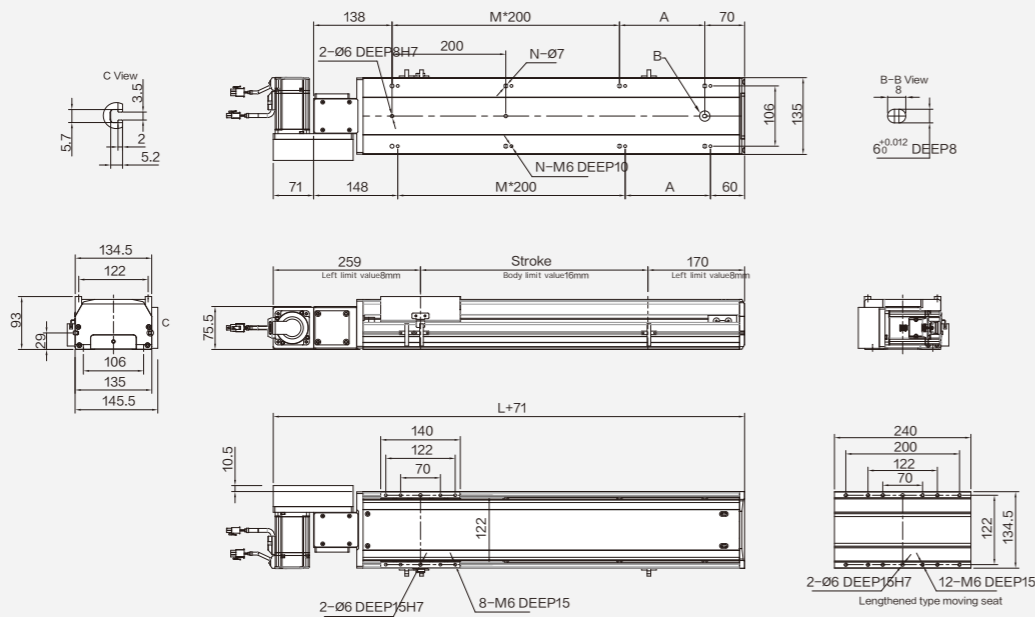
The torque value in the chart indicate the center of gravity.
 Operation life is 10,000km when the product is using under the specified conditions.
 Data information is not for ceiling-mount inverse use. Contact us for the details if you want to apply ceiling-mount Inverse usage.

Suitable motor brand

Brand	Mark	Brake	Watt	AC-Voltage	Motor model	Driver model
Mitsubishi	M	No brake(Horizontal type)	200	220	HG-KR23	MR-J4-20A
Panasonic	P	No brake(Horizontal type)	200	220	MHMD022G1U	MADHT1507
Delta	T	No brake(Horizontal type)	200	220	ECMA-C20602ES	ASD-B20221-B

Motor external left fold

1-axis KTB14M



(Unit:mm)

Motor external left fold	Stroke	Stroke																			
		50	100	150	200	250	300	350	400	450	500	550	600	650	700	750	800	850	900	950	1000
L	408	458	508	558	608	658	708	758	808	858	908	958	1008	1058	1108	1158	1208	1258	1308	1358	1408
A	200	50	100	150	200	50	100	150	200	50	100	150	200	50	100	150	200	50	100	150	200
M	0	1	1	1	1	2	2	2	2	3	3	3	3	4	4	4	4	5	5	5	5
N	4	6	6	6	8	8	8	8	8	10	10	10	10	12	12	12	12	14	14	14	14
KG	8.2	8.6	9	9.5	10	10.5	11	11.4	12	12.4	13	13.4	13.9	14.4	14.9	15.4	15.9	16.4	16.9	17.3	17.9

LB

Motor external left fold	Stroke	Stroke																			
		1100	1150	1200	1250	1300	1350	1400	1450	1500	1550	1600	1650	1700	1750	1800	1850	1900	1950	2000	2050
L	1458	1508	1558	1608	1658	1708	1758	1808	1858	1908	1958	2008	2058	2108	2158	2208	2258	2308	2358	2408	2458
A	50	100	150	200	50	100	150	200	50	100	150	200	50	100	150	200	50	100	150	200	50
M	6	6	6	6	7	7	7	7	8	8	8	8	9	9	9	9	10	10	10	10	11
N	16	16	16	16	18	18	18	18	20	20	20	20	22	22	22	22	24	24	24	24	26
KG	18.5	19.1	19.7	20.3	20.9	21.5	22.1	22.7	23.3	23.9	24.5	25.1	25.7	26.3	26.9	27.5	28.1	28.7	29.3	29.9	30.5

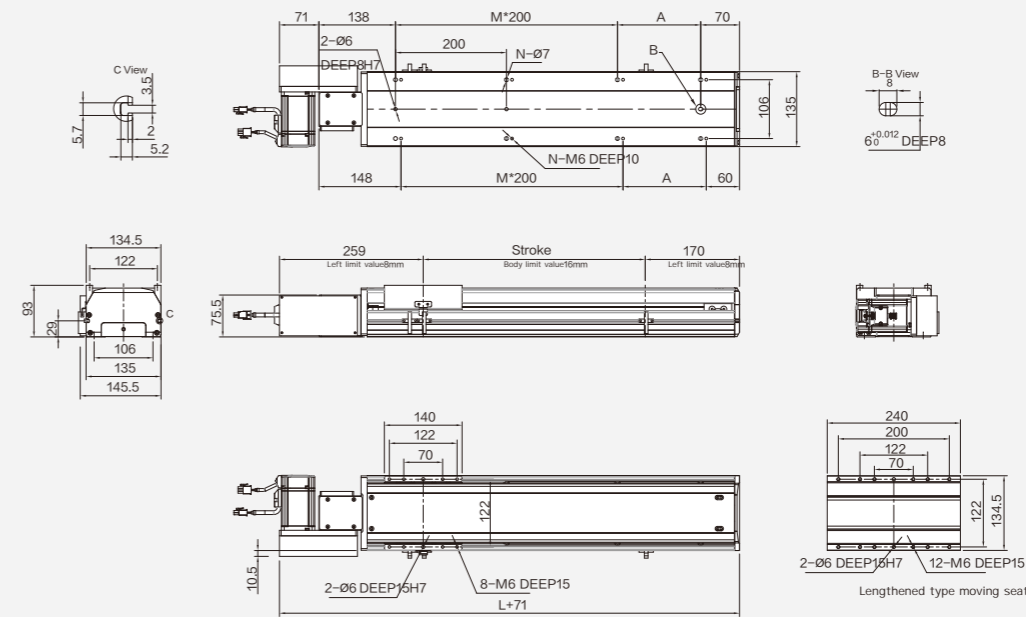
LB

Motor external left fold	Stroke	Stroke																			
		2150	2200	2250	2300	2350	2400	2450	2500	2550	2600	2650	2700	2750	2800	2850	2900	2950	3000	3050	
L	2508	2558	2608	2658	2708	2758	2808	2858	2908	2958	3008	3058	3108	3158	3208	3258	3308	3358	3408		
A	100	150	200	50	100	150	200	50	100	150	200	50	100	150	200	50	100	150	200		
M	11	11	11	12	12	12	12	13	13	13	13	14	14	14	14	15	15	15	15		
N	26	26	26	28	28	28	28	30	30	30	30	32	32	32	32	34	34	34	34		
KG	31.1	31.7	32.3	32.9	33.5	34.1	34.7	35.3	35.9	36.5	37.1	37.7	38.3	38.9	39.5	40.1	40.7	41.3	41.9		

LB

Motor external right fold

1-axis KTB14M



(Unit:mm)

Motor external right fold	Stroke	Stroke																			
		50	100	150	200	250	300	350	400	450	500	550	600	650	700	750	800	850	900	950	1000
L	408	458	508	558	608	658	708	758	808	858	908	958	1008	1058	1108	1158	1208	1258	1308	1358	1408
A	200	50	100	150	200	50	100	150	200	50	100	150	200	50	100	150	200	50	100	150	200
M	0	1	1	1	1	2	2	2	2	3	3	3	3	4	4	4	4	5	5	5	5
N	4	6	6	6	6	8	8	8	8	10	10	10	10	12	12	12	12	14	14	14	14
KG	8.2	8.6	9	9.5	10	10.5	11	11.4	12	12.4	13	13.4	13.9	14.4	14.9	15.4	15.9	16.4	16.9	17.3	17.9

RB

Motor external right fold	Stroke	Stroke																			
		1100	1150	1200	1250	1300	1350	1400	1450	1500	1550	1600	1650	1700	1750	1800	1850	1900	1950	2000	2050
L	1458	1508	1558	1608	1658	1708	1758	1808	1858	1908	1958	2008	2058	2108	2158	2208	2258	2308	2358	2408	2458
A	50	100	150	200	50	100	150	200	50	100	150	200	50	100	150	200	50	100	150	200	50
M	6	6	6	6	7	7	7	7	8	8	8	8	9	9	9	9	10	10	10	10	11
N	16	16	16	16	18	18	18	18	20	20	20	20	22	22	22	22	24	24	24	24	26
KG	18.5	19.1	19.7	20.3	20.9	21.5	22.1	22.7	23.3	23.9	24.5	25.1	25.7	26.3	26.9	27.5	28.1	28.7	29.3	29.9	30.5

RB

Motor external right fold	Stroke	Stroke																			
		2150	2200	2250	2300	2350	2400	2450	2500	2550	2600	2650	2700	2750	2800	2850	2900	2950	3000	3050	
L	2508	2558	2608	2658	2708	2758	2808	2858	2908	2958	3008	3058	3108	3158	3208	3258	3308	3358	3408		
A	100	150	200	50	100	150	200	50	100	150	200	50	100	150	200	50	100	150	200		
M	11	11	11	12	12	12	12	13	13	13	13	14	14	14	14	15	15	15	15		
N	26	26	26	28	28	28	28	30	30	30	30	32	32	32	32	34	34	34	34		
KG	31.1	31.7	32.3	32.9	33.5	34.1	34.7	35.3	35.9	36.5	37.1	37.7	38.3	38.9	39.5	40.1	40.7	41.3	41.9		

RB

ATH3
ATH4
ATH5
ATH8
ATH12
ATH15
RTH4
RTH5
RTH8
RTH12
DG60
DG100
DG135
KTH13
KTH14
KTH17
KTH22
KTH27
DMB5
DMB10
DMB20
DMB30
DMB40
EMB5
EMB10
EMB20
RTB5
RTB8
RTB12
RTB15
DB100
DB135

KT B14M

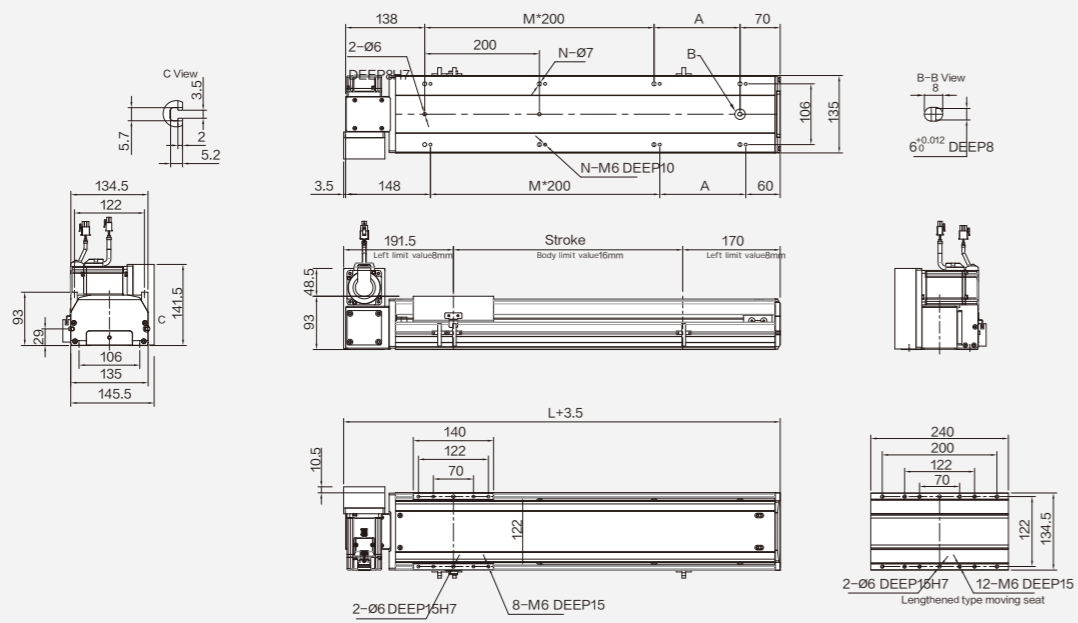
KT B17M
KT B22M

MB65
MB80
MB110
ACH4
ACH5
ACH8
ACH12
ACH15
RCH4
RCH5
RCH8
RCH12
KCH14
KCH17
KCH22
RCB5
RCB8
RCB12
RCB15
KCB14
KCB17
KCB22
KKT50
KKT60
KKT86
GR14
GR17
GR22
LM80
LM140
LM170
LM210

General/
In-line/
Screw sample
ATH
RTH
General/
Screw sample
DG
KTH
General/
Electric cylinder
sample
DMB
EMB
General/
In-line/
Belt sample
RTB
General/
Belt sample
DB
KT B
General/
European/Belt
sample
MB
Clean/
In-line/
Screw sample
ACH
RCH
Clean/
Screw sample
KCH
RCB
Clean/
Belt sample
KCB
General/
KKT/
Screw sample
KKT
General/
Rack and
pinion sample
GR
General/
Linear motor
sample
LM
Reference

Motor upward to the left

1-axis KTB14M



(Unit:mm)

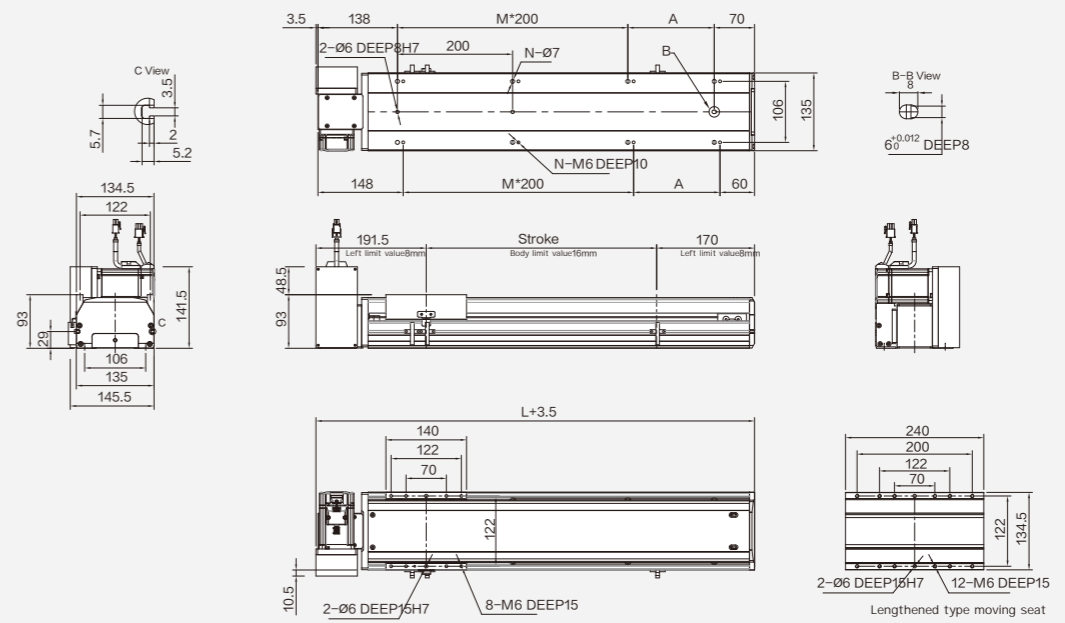
Motor upward to the left	Stroke	L																				
		50	100	150	200	250	300	350	400	450	500	550	600	650	700	750	800	850	900	950	1000	1050
LU	L	408	458	508	558	608	658	708	758	808	858	908	958	1008	1058	1108	1158	1208	1258	1308	1358	1408
	A	200	50	100	150	200	50	100	150	200	50	100	150	200	50	100	150	200	50	100	150	200
	M	0	1	1	1	1	2	2	2	2	3	3	3	3	4	4	4	4	5	5	5	5
	N	4	6	6	6	6	8	8	8	8	10	10	10	10	12	12	12	12	14	14	14	14
	KG	8.2	8.6	9	9.5	10	10.5	11	11.4	12	12.4	13	13.4	13.9	14.4	14.9	15.4	15.9	16.4	16.9	17.3	17.9

Motor upward to the left	Stroke	L																				
		1100	1150	1200	1250	1300	1350	1400	1450	1500	1550	1600	1650	1700	1750	1800	1850	1900	1950	2000	2050	2100
LU	L	1458	1508	1558	1608	1658	1708	1758	1808	1858	1908	1958	2008	2058	2108	2158	2208	2258	2308	2358	2408	2458
	A	50	100	150	200	50	100	150	200	50	100	150	200	50	100	150	200	50	100	150	200	50
	M	6	6	6	6	7	7	7	7	8	8	8	8	9	9	9	9	10	10	10	10	11
	N	16	16	16	16	18	18	18	18	20	20	20	20	22	22	22	22	24	24	24	24	26
	KG	18.5	19.1	19.7	20.3	20.9	21.5	22.1	22.7	23.3	23.9	24.5	25.1	25.7	26.3	26.9	27.5	28.1	28.7	29.3	29.9	30.5

Motor upward to the left	Stroke	L																				
		2150	2200	2250	2300	2350	2400	2450	2500	2550	2600	2650	2700	2750	2800	2850	2900	2950	3000	3050		
LU	L	2508	2558	2608	2658	2708	2758	2808	2858	2908	2958	3008	3058	3108	3158	3208	3258	3308	3358	3408		
	A	100	150	200	50	100	150	200	50	100	150	200	50	100	150	200	50	100	150	200		
	M	11	11	11	12	12	12	12	13	13	13	13	14	14	14	14	15	15	15	15		
	N	26	26	26	28	28	28	28	30	30	30	30	32	32	32	32	34	34	34	34		
	KG	31.1	31.7	32.3	32.9	33.5	34.1	34.7	35.3	35.9	36.5	37.1	37.7	38.3	38.9	39.5	40.1	40.7	41.3	41.9		

Motor upward to the right

1-axis KTB14M



(Unit:mm)

Motor upward to the right	Stroke	L																				
		50	100	150	200	250	300	350	400	450	500	550	600	650	700	750	800	850	900	950	1000	1050
RU	L	408	458	508	558	608	658	708	758	808	858	908	958	1008	1058	1108	1158	1208	1258	1308	1358	1408
	A	200	50	100	150	200	50	100	150	200	50	100	150	200	50	100	150	200	50	100	150	200
	M	0	1	1	1	1	2	2	2	2	3	3	3	3	4	4	4	4	5	5	5	5
	N	4	6	6	6	6	8	8	8	8	10	10	10	10	12	12	12	12	14	14	14	14
	KG	8.2	8.6	9	9.5	10	10.5	11	11.4	12	12.4	13	13.4	13.9	14.4	14.9	15.4	15.9	16.4	16.9	17.3	17.9

Motor upward to the right	Stroke	L																				
		1100	1150	1200	1250	1300	1350	1400	1450	1500	1550	1600	1650	1700	1750	1800	1850	1900	1950	2000	2050	2100
RU	L	1458	1508	1558	1608	1658	1708	1758	1808	1858	1908	1958	2008	2058	2108	2158	2208	2258	2308	2358	2408	2458
	A	50	100	150	200	50	100	150	200	50	100	150	200	50	100	150	200	50	100	150	200	50
	M	6	6	6	6	7	7	7	7	8	8	8	8	9	9	9	9	10	10	10	10	11
	N	16	16	16	16	18	18	18	18	20	20	20	20	22	22	22	22	24	24	24	24	26
	KG	18.5	19.1	19.7	20.3	20.9	21.5	22.1	22.7	23.3	23.9	24.5	25.1	25.7	26.3	26.9	27.5	28.1	28.7	29.3	29.9	30.5

Motor upward to the right	Stroke	L																				
		2150	2200	2250	2300	2350	2400	2450	2500	2550	2600	2650	2700	2750	2800	2850	2900	2950	3000	3050		
RU	L	2508	2558	2608	2658	2708	2758	2808	2858	2908	2958	3008	3058	3108	3158	3208	3258	3308	3358	3408		
	A	100	150	200	50	100	150	200	50	100	150	200	50	100	150	200	50	100	150	200		
	M	11	11	11	12	12	12	12	13	13	13	13	14	14	14	14	15	15	15	15		
	N	26	26	26	28	28	28	28	30	30	30	30	32	32	32	32	34	34	34	34		
	KG	31.1	31.7	32.3	32.9	33.5	34.1	34.7	35.3	35.9	36.5	37.1	37.7	38.3	38.9	39.5	40.1	40.7	41.3	41.9		

ATH3
ATH4
ATH5
ATH8
ATH12
ATH15
RTH4
RTH5
RTH8
RTH12
DG60
DG100
DG135
KTH13
KTH14
KTH17
KTH22
KTH27
DMB5
DMB10
DMB20
DMB30
DMB40
EMB5
EMB10
EMB20
RTB5
RTB8
RTB12
RTB15
DB100
DB135

KT B14M

KT B17M

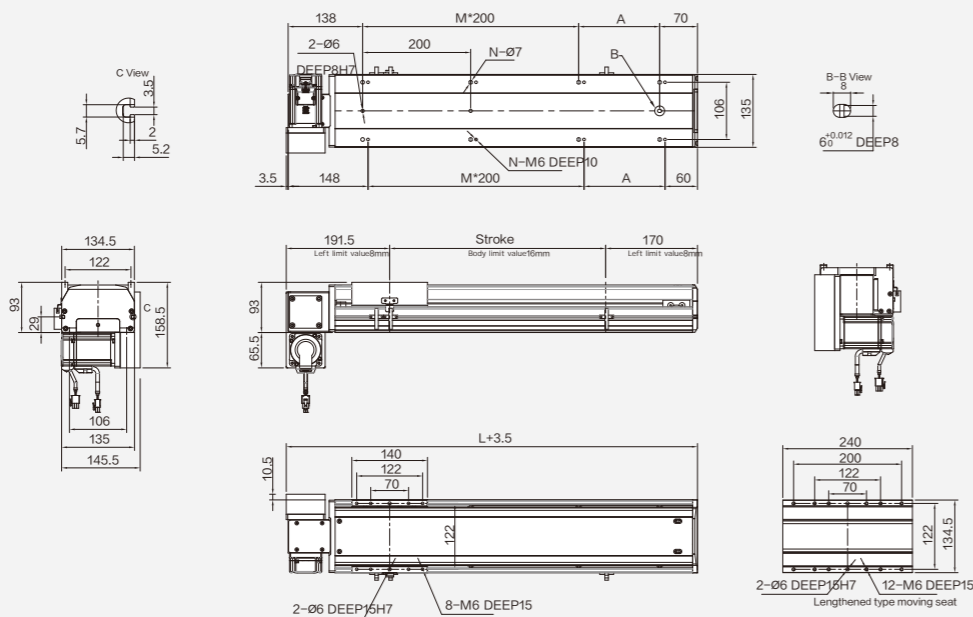
KT B22M

MB65
MB80
MB110
ACH4
ACH5
ACH8
ACH12
ACH15
RCH4
RCH5
RCH8
RCH12
KCH14
KCH17
KCH22
RCB5
RCB8
RCB12
RCB15
KCB14
KCB17
KCB22
KKT50
KKT60
KKT86
GR14
GR17
GR22
LM80
LM140
LM170
LM210

General/ In-line/ Screw sample
ATH
RTH
General/ Screw sample
DG
KTH
General/ Electric cylinder sample
DMB
EMB
General/ In-line/ Belt sample
RTB
General/ Belt sample
DB
KT B
General/ European/ Belt sample
MB
Clean/ In-line/ Screw sample
ACH
RCH
Clean/ Screw sample
KCH
Clean/ In-line/ Belt sample
RCB
Clean/ Belt sample
KCB
General/ KKT/ Screw sample
KKT
General/ Rack and pinion sample
GR
General/ Linear motor sample
LM
Reference

Motor down to the left

1-axis KTB14M



(Unit:mm)

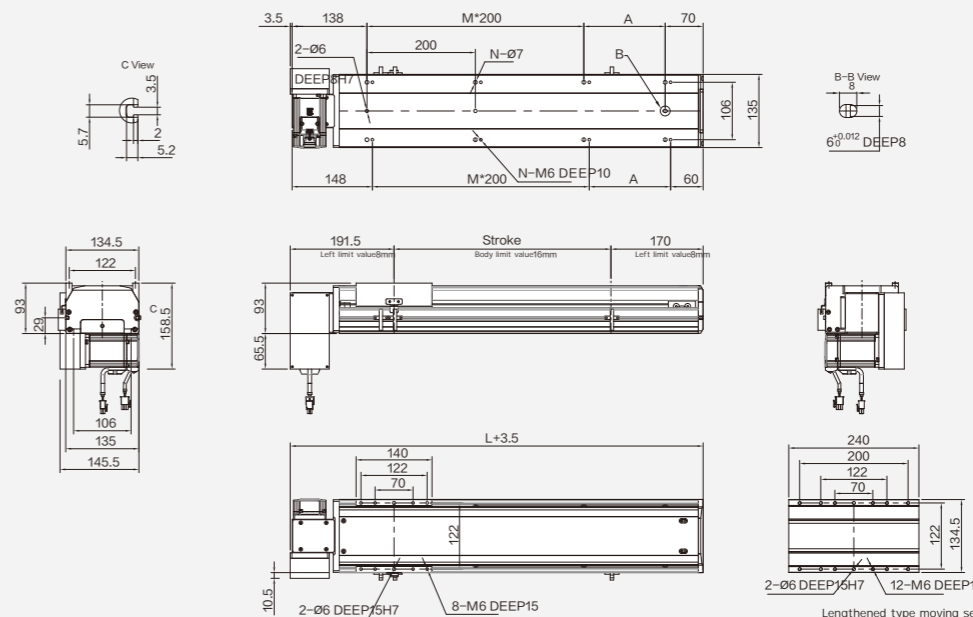
Motor down to the left	Stroke	Stroke																				
		50	100	150	200	250	300	350	400	450	500	550	600	650	700	750	800	850	900	950	1000	1050
LD	L	408	458	508	558	608	658	708	758	808	858	908	958	1008	1058	1108	1158	1208	1258	1308	1358	1408
	A	200	50	100	150	200	50	100	150	200	50	100	150	200	50	100	150	200	50	100	150	200
	M	0	1	1	1	1	2	2	2	2	3	3	3	3	4	4	4	4	5	5	5	5
	N	4	6	6	6	6	8	8	8	8	10	10	10	10	12	12	12	12	14	14	14	14
	KG	8.2	8.6	9	9.5	10	10.5	11	11.4	12	12.4	13	13.4	13.9	14.4	14.9	15.4	15.9	16.4	16.9	17.3	17.9

Motor down to the left	Stroke	Stroke																				
		1100	1150	1200	1250	1300	1350	1400	1450	1500	1550	1600	1650	1700	1750	1800	1850	1900	1950	2000	2050	2100
LD	L	1458	1508	1558	1608	1658	1708	1758	1808	1858	1908	1958	2008	2058	2108	2158	2208	2258	2308	2358	2408	2458
	A	50	100	150	200	50	100	150	200	50	100	150	200	50	100	150	200	50	100	150	200	50
	M	6	6	6	6	7	7	7	7	8	8	8	8	9	9	9	9	10	10	10	10	11
	N	16	16	16	16	18	18	18	18	20	20	20	20	22	22	22	22	24	24	24	24	26
	KG	18.5	19.1	19.7	20.3	20.9	21.5	22.1	22.7	23.3	23.9	24.5	25.1	25.7	26.3	26.9	27.5	28.1	28.7	29.3	29.9	30.5

Motor down to the left	Stroke	Stroke																				
		2150	2200	2250	2300	2350	2400	2450	2500	2550	2600	2650	2700	2750	2800	2850	2900	2950	3000	3050		
LD	L	2508	2558	2608	2658	2708	2758	2808	2858	2908	2958	3008	3058	3108	3158	3208	3258	3308	3358	3408		
	A	100	150	200	50	100	150	200	50	100	150	200	50	100	150	200	50	100	150	200		
	M	11	11	11	12	12	12	12	13	13	13	13	14	14	14	14	15	15	15	15		
	N	26	26	26	28	28	28	28	30	30	30	30	32	32	32	32	34	34	34	34		
	KG	31.1	31.7	32.3	32.9	33.5	34.1	34.7	35.3	35.9	36.5	37.1	37.7	38.3	38.9	39.5	40.1	40.7	41.3	41.9		

Motor down to the right

1-axis KTB14M



(Unit:mm)

Motor down to the right	Stroke	Stroke																				
		50	100	150	200	250	300	350	400	450	500	550	600	650	700	750	800	850	900	950	1000	1050
RD	L	408	458	508	558	608	658	708	758	808	858	908	958	1008	1058	1108	1158	1208	1258	1308	1358	1408
	A	200	50	100	150	200	50	100	150	200	50	100	150	200	50	100	150	200	50	100	150	200
	M	0	1	1	1	1	2	2	2	2	3	3	3	3	4	4	4	4	5	5	5	5
	N	4	6	6	6	6	8	8	8	8	10	10	10	10	12	12	12	12	14	14	14	14
	KG	8.2	8.6	9	9.5	10	10.5	11	11.4	12	12.4	13	13.4	13.9	14.4	14.9	15.4	15.9	16.4	16.9	17.3	17.9

Motor down to the right	Stroke	Stroke																				
		1100	1150	1200	1250	1300	1350	1400	1450	1500	1550	1600	1650	1700	1750	1800	1850	1900	1950	2000	2050	2100
RD	L	1458	1508	1558	1608	1658	1708	1758	1808	1858	1908	1958	2008	2058	2108	2158	2208	2258	2308	2358	2408	2458
	A	50	100	150	200	50	100	150	200	50	100	150	200	50	100	150	200	50	100	150	200	50
	M	6	6	6	6	7	7	7	7	8	8	8	8	9	9	9	9	10	10	10	10	11
	N	16	16	16	16	18	18	18	18	20	20	20	20	22	22	22	22	24	24	24	24	26
	KG	18.5	19.1	19.7	20.3	20.9	21.5	22.1	22.7	23.3	23.9	24.5	25.1	25.7	26.3	26.9	27.5	28.1	28.7	29.3	29.9	30.5

Motor down to the right	Stroke	Stroke																				
		2150	2200	2250	2300	2350	2400	2450	2500	2550	2600	2650	2700	2750	2800	2850	2900	2950	3000	3050		
RD	L	2508	2558	2608	2658	2708	2758	2808	2858	2908	2958	3008	3058	3108	3158	3208	3258	3308	3358	3408		
	A	100	150	200	50	100	150	200	50	100	150	200	50	100	150	200	50	100	150	200		
	M	11	11	11	12	12	12	12	13	13	13	13	14	14	14	14	15	15	15	15		
	N	26	26	26	28	28	28	28	30	30	30	30	32	32	32	32	34	34	34	34		
	KG	31.1	31.7	32.3	32.9	33.5	34.1	34.7	35.3	35.9	36.5	37.1	37.7	38.3	38.9	39.5	40.1	40.7	41.3	41.9		

ATH3
ATH4
ATH5
ATH8
ATH12
ATH15
RTH4
RTH5
RTH8
RTH12
DG60
DG100
DG135
KTH13
KTH14
KTH17
KTH22
KTH27
DMB5
DMB10
DMB20
DMB30
DMB40
EMB5
EMB10
EMB20
RTB5
RTB8
RTB12
RTB15
DB100
DB135

KT B14M

KT B17M
KT B22M

MB65
MB80
MB110
ACH4
ACH5
ACH8
ACH12
ACH15
RCH4
RCH5
RCH8
RCH12
KCH14
KCH17
KCH22
RCB5
RCB8
RCB12
RCB15
KCB14
KCB17
KCB22
KKT50
KKT60
KKT86
GR14
GR17
GR22
LM80
LM140
LM170
LM210

General/
In-line/
Screw sample
ATH
RTH
General/
Screw sample
DG
KTH
General/
Electric cylinder
sample
DMB
EMB
一般/内嵌/
皮带仕様
General/In-line/
Belt sample
RTB
General/
Belt sample
DB
KT B
General/
European/Belt
sample
MB
Clean/In-line/
Screw sample
ACH
RCH
Clean/
Screw sample
KCH
Clean/In-line/
Belt sample
RCB
Clean/
Belt sample
KCB
General/KKT/
Screw sample
KKT
General/
Rack and
pinion sample
GR
General/
Linear motor
sample
LM
Reference

General belt series

KTB17M

1-axis



This figure is for reference only. the shipping specifications are detailed in the dimension drawing.

Maximum stroke	3050mm	Maximum speed	2000mm/s	Motor capacity	400w	Belt Width	30mm
----------------	--------	---------------	----------	----------------	------	------------	------

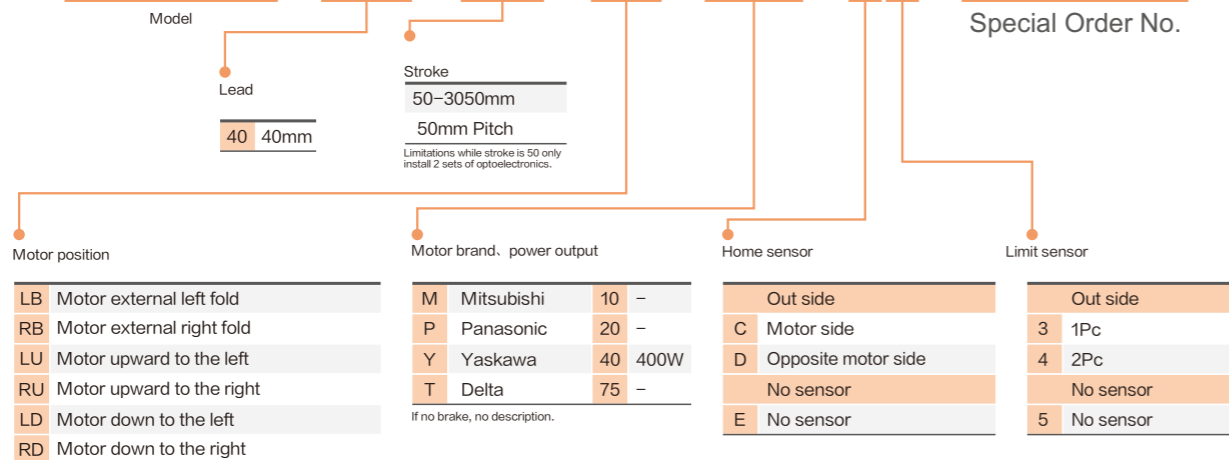
Motor direction



Ordering method

KTB17M - L40 - 100 - LB - P40 - C4 - Special

Special Order No.

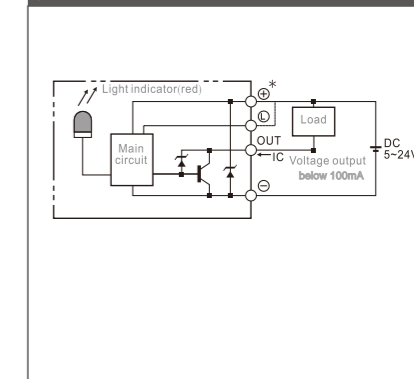


Specification

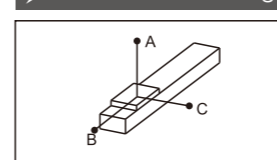
Spec	Repeatability	mm	± 0.04	
	Lead	mm	40	
	Maximum speed	mm/s	2000	
	Maximum payload	Horizontal	kg	45
		Vertical	kg	
	Rated thrust	N	204	
Stroke pitch	mm	50-3050mm/50 pitch		
Parts	AC Servo motor output	W	400	
	Belt Width	mm	30	
	High rigidity linear guide	mm	W20XH15	
	Home sensor	Outside	EE-SX672(NPN)	

Acceleration and deceleration value is set 0.4 second.

Sensor layout



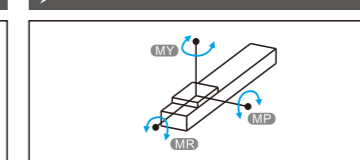
Allowable overhang



(Unit:mm)

Horizontal Installation	A	B	C
10kg	2942	1133	1033
20kg	1430	547	498
30kg	926	350	320
45kg	588	219	201

Static loading moment



(Unit:N.m)

	MY	MP	MR
	1032	1034	908

The torque value in the chart indicate the center of gravity.
 Operation life is 10,000km when the product is using under the specified conditions.
 Data information is not for ceiling-mount inverse use. Contact us for the details if you want to apply ceiling-mount inverse usage.

Suitable motor brand

Brand	Mark	Brake	Watt	AC-Voltage	Motor model	Driver model
Mitsubishi	M	No brake(Horizontal type)	400	220	HG-KR43	MR-J4-40A
Panasonic	P	No brake(Horizontal type)	400	220	MHMD042G1U	MBDHT2510
Delta	T	No brake(Horizontal type)	400	220	ECMA-C20604ES	ASD-B20421-B

ATH3
ATH4
ATH5
ATH8
ATH12
ATH15
RTH4
RTH5
RTH8
RTH12
DG60
DG100
DG135
KTH13
KTH14
KTH17
KTH22
KTH27
DMB5
DMB10
DMB20
DMB30
DMB40
EMB5
EMB10
EMB20
RTB5
RTB8
RTB12
RTB15
DB100
DB135
KTB14M

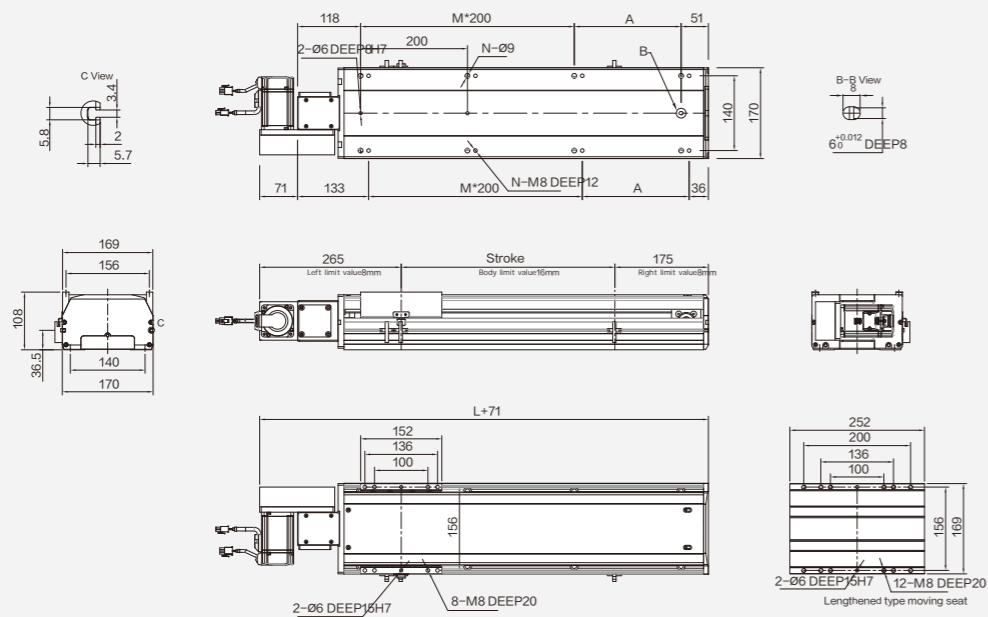
KT B17M

KT B22M
MB5
MB8
MB10
MB110
ACH4
ACH5
ACH8
ACH12
ACH15
RCH4
RCH5
RCH8
RCH12
KCH14
KCH17
KCH22
RCB5
RCB8
RCB12
RCB15
KCB14
KCB17
KCB22
KKT50
KKT60
KKT86
GR14
GR17
GR22
LM80
LM140
LM170
LM210

General/ Inline/ Screw sample
ATH
RTH
General/ Screw sample
DG
KTH
General/ Electric cylinder sample
DMB
EMB
General/ Inline/ Belt sample
RTB
General/ Belt sample
DB
KT B
General/ European/Belt sample
MB
Clean/ Inline/ Screw sample
ACH
RCH
Clean/ Screw sample
KCH
Clean/ Inline/ Belt sample
RCB
Clean/ Belt sample
KCB
General/ KKT/ Screw sample
KKT
General/ Rack and pinion sample
GR
General/ Linear motor sample
LM
Reference

Motor external left fold

1-axis **KT B17M**



(Unit:mm)

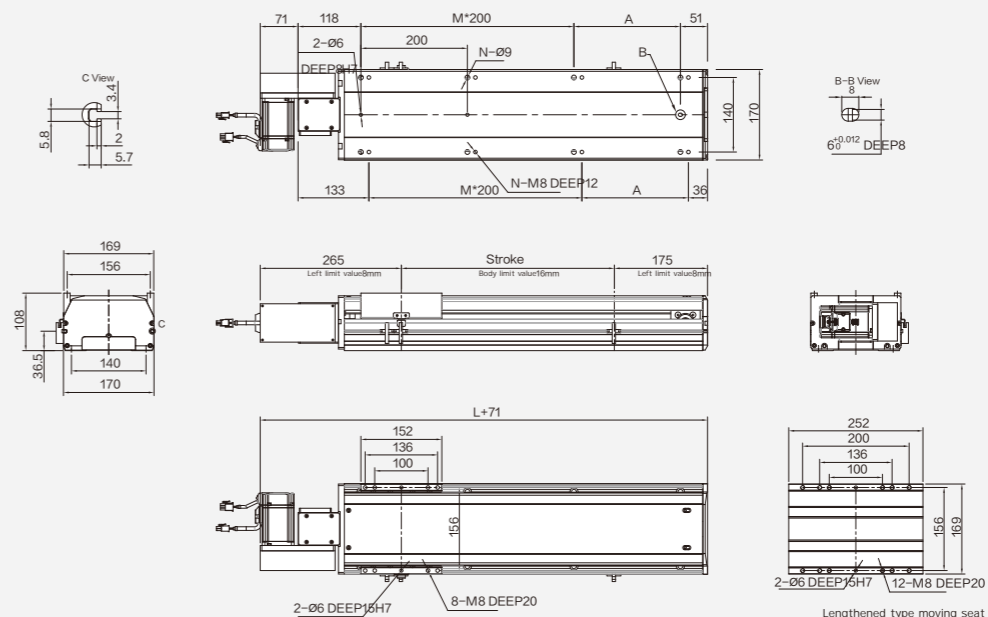
Motor external left fold	Stroke	50	100	150	200	250	300	350	400	450	500	550	600	650	700	750	800	850	900	950	1000	1050
		L	419	469	519	569	619	669	719	769	819	869	919	969	1019	1069	1119	1169	1219	1269	1319	1369
A	50	100	150	200	50	100	150	200	50	100	150	200	50	100	150	200	50	100	150	200	50	
M	1	1	1	1	2	2	2	2	3	3	3	3	4	4	4	4	5	5	5	5	6	
N	6	6	6	6	8	8	8	8	10	10	10	10	12	12	12	12	14	14	14	14	16	
KG	10.2	12	13.8	14.6	15.4	16.1	16.9	17.7	18.5	19.2	20	20.8	21.6	22.3	23.1	23.9	24.7	25.4	26.2	27	27.8	

Motor external left fold	Stroke	1100	1150	1200	1250	1300	1350	1400	1450	1500	1550	1600	1650	1700	1750	1800	1850	1900	1950	2000	2050	2100
		L	1469	1519	1569	1619	1669	1719	1769	1819	1869	1919	1969	2019	2069	2119	2169	2219	2269	2319	2369	2419
A	100	150	200	50	100	150	200	50	100	150	200	50	100	150	200	50	100	150	200	50	100	
M	6	6	6	7	7	7	7	8	8	8	8	9	9	9	9	10	10	10	10	11	11	
N	16	16	16	18	18	18	18	20	20	20	20	22	22	22	22	24	24	24	24	26	26	
KG	28.6	29.4	30.2	31	31.8	32.6	33.4	34.2	35	35.8	36.6	37.4	38.2	39	39.8	40.6	41.4	42.2	43	43.8	44.6	

Motor external left fold	Stroke	2150	2200	2250	2300	2350	2400	2450	2500	2550	2600	2650	2700	2750	2800	2850	2900	2950	3000	3050
		L	2519	2569	2619	2669	2719	2769	2819	2869	2919	2969	3019	3069	3119	3169	3219	3269	3319	3369
A	150	200	50	100	150	200	50	100	150	200	50	100	150	200	50	100	150	200	50	
M	11	11	12	12	12	12	13	13	13	13	14	14	14	14	15	15	15	15	16	
N	26	26	28	28	28	28	30	30	30	30	32	32	32	32	34	34	34	34	36	
KG	45.4	46.2	47	47.8	48.6	49.4	50.2	51	51.8	52.6	53.4	54.2	55	55.8	56.6	57.4	58.2	59	59.8	

Motor external right fold

1-axis **KT B17M**



(Unit:mm)

Motor external right fold	Stroke	50	100	150	200	250	300	350	400	450	500	550	600	650	700	750	800	850	900	950	1000	1050
		L	419	469	519	569	619	669	719	769	819	869	919	969	1019	1069	1119	1169	1219	1269	1319	1369
A	50	100	150	200	50	100	150	200	50	100	150	200	50	100	150	200	50	100	150	200	50	
M	1	1	1	1	2	2	2	2	3	3	3	3	4	4	4	4	5	5	5	5	6	
N	6	6	6	6	8	8	8	8	10	10	10	10	12	12	12	12	14	14	14	14	16	
KG	10.2	12	13.8	14.6	15.4	16.1	16.9	17.7	18.5	19.2	20	20.8	21.6	22.3	23.1	23.9	24.7	25.4	26.2	27	27.8	

Motor external right fold	Stroke	1100	1150	1200	1250	1300	1350	1400	1450	1500	1550	1600	1650	1700	1750	1800	1850	1900	1950	2000	2050	2100
		L	1469	1519	1569	1619	1669	1719	1769	1819	1869	1919	1969	2019	2069	2119	2169	2219	2269	2319	2369	2419
A	100	150	200	50	100	150	200	50	100	150	200	50	100	150	200	50	100	150	200	50	100	
M	6	6	6	7	7	7	7	8	8	8	8	9	9	9	9	10	10	10	10	11	11	
N	16	16	16	18	18	18	18	20	20	20	20	22	22	22	22	24	24	24	24	26	26	
KG	28.6	29.4	30.2	31	31.8	32.6	33.4	34.2	35	35.8	36.6	37.4	38.2	39	39.8	40.6	41.4	42.2	43	43.8	44.6	

Motor external right fold	Stroke	2150	2200	2250	2300	2350	2400	2450	2500	2550	2600	2650	2700	2750	2800	2850	2900	2950	3000	3050
		L	2519	2569	2619	2669	2719	2769	2819	2869	2919	2969	3019	3069	3119	3169	3219	3269	3319	3369
A	150	200	50	100	150	200	50	100	150	200	50	100	150	200	50	100	150	200	50	
M	11	11	12	12	12	12	13	13	13	13	14	14	14	14	15	15	15	15	16	
N	26	26	28	28	28	28	30	30	30	30	32	32	32	32	34	34	34	34	36	
KG	45.4	46.2	47	47.8	48.6	49.4	50.2	51	51.8	52.6	53.4	54.2	55	55.8	56.6	57.4	58.2	59	59.8	

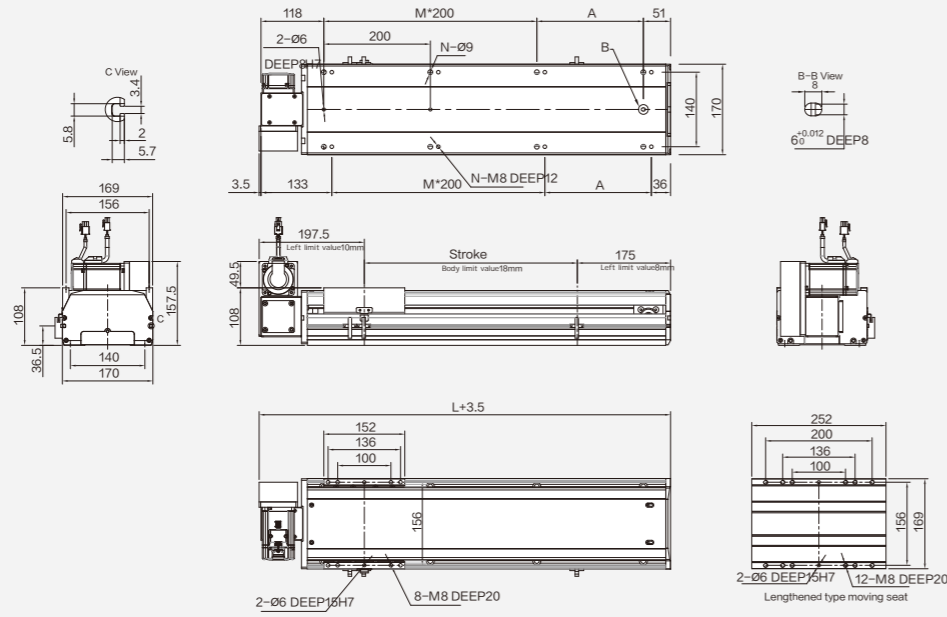
KT B17M

KTB22M
 MB65
 MB80
 MB110
 ACH4
 ACH5
 ACH8
 ACH12
 ACH15
 RCH4
 RCH5
 RCH8
 RCH12
 KCH14
 KCH17
 KCH22
 RCB5
 RCB8
 RCB12
 RCB15
 KCB14
 KCB17
 KCB22
 KKT50
 KKT60
 KKT86
 GR14
 GR17
 GR22
 LM80
 LM140
 LM170
 LM210

General/ In-line/ Screw sample
 ATH
 RTH
 General/ Screw sample
 DG
 KTH
 General/ Electric cylinder sample
 DMB
 EMB
 General/ In-line/ Belt sample
 RTB
 General/ Belt sample
 DB
 KTB
 General/ European/Belt sample
 MB
 Clean/ In-line/ Screw sample
 ACH
 RCH
 Clean/ Screw sample
 KCH
 Clean/ In-line/ Belt sample
 RCB
 Clean/ Belt sample
 KCB
 General/ KKT/ Screw sample
 KKT
 General/ Rack and pinion sample
 GR
 General/ Linear motor sample
 LM
 Reference

Motor upward the left

1-axis KTB17M



(Unit:mm)

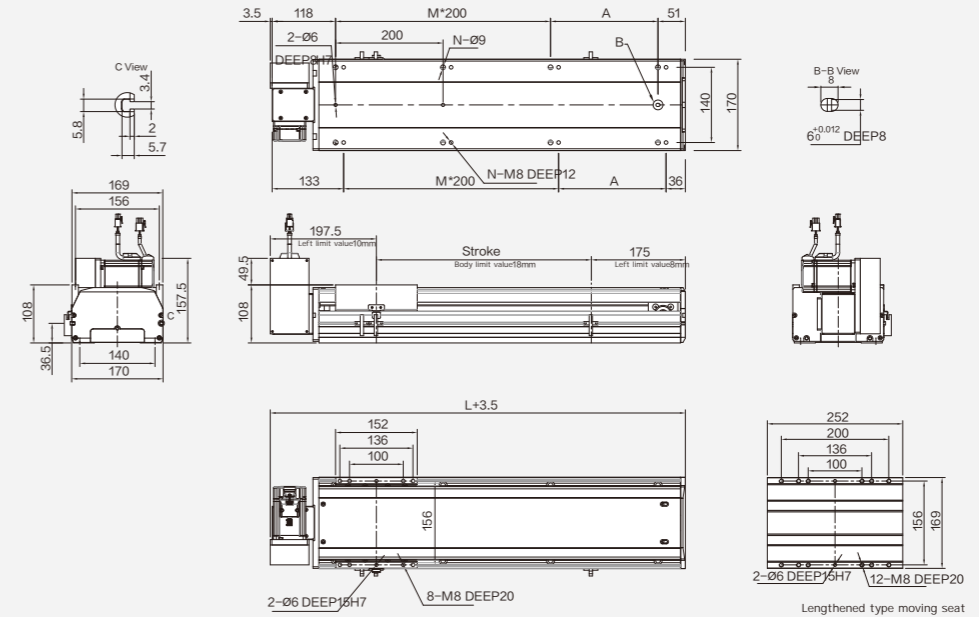
Motor upward to the left	Stroke	Stroke																			
		50	100	150	200	250	300	350	400	450	500	550	600	650	700	750	800	850	900	950	1000
L	419	469	519	569	619	669	719	769	819	869	919	969	1019	1069	1119	1169	1219	1269	1319	1369	1419
A	50	100	150	200	50	100	150	200	50	100	150	200	50	100	150	200	50	100	150	200	50
M	1	1	1	1	2	2	2	2	3	3	3	3	4	4	4	4	5	5	5	5	6
N	6	6	6	6	8	8	8	8	10	10	10	10	12	12	12	12	14	14	14	14	16
KG	10.2	12	13.8	14.6	15.4	16.1	16.9	17.7	18.5	19.2	20	20.8	21.6	22.3	23.1	23.9	24.7	25.4	26.2	27	27.8

Motor upward to the left	Stroke	Stroke																			
		1100	1150	1200	1250	1300	1350	1400	1450	1500	1550	1600	1650	1700	1750	1800	1850	1900	1950	2000	2050
L	1469	1519	1569	1619	1669	1719	1769	1819	1869	1919	1969	2019	2069	2119	2169	2219	2269	2319	2369	2419	2469
A	100	150	200	50	100	150	200	50	100	150	200	50	100	150	200	50	100	150	200	50	100
M	6	6	6	7	7	7	7	8	8	8	8	9	9	9	9	10	10	10	10	11	11
N	16	16	16	18	18	18	20	20	20	20	22	22	22	22	22	24	24	24	24	26	26
KG	28.6	29.4	30.2	31	31.8	32.6	33.4	34.2	35	35.8	36.6	37.4	38.2	39	39.8	40.6	41.4	42.2	43	43.8	44.6

Motor upward to the left	Stroke	Stroke																			
		2150	2200	2250	2300	2350	2400	2450	2500	2550	2600	2650	2700	2750	2800	2850	2900	2950	3000	3050	
L	2519	2569	2619	2669	2719	2769	2819	2869	2919	2969	3019	3069	3119	3169	3219	3269	3319	3369	3419		
A	150	200	50	100	150	200	50	100	150	200	50	100	150	200	50	100	150	200	50		
M	11	11	12	12	12	12	13	13	13	13	14	14	14	14	15	15	15	15	16		
N	26	26	28	28	28	28	30	30	30	30	32	32	32	32	34	34	34	34	36		
KG	45.4	46.2	47	47.8	48.6	49.4	50.2	51	51.8	52.6	53.4	54.2	55	55.8	56.6	57.4	58.2	59	59.8		

Motor upward to the right

1-axis KTB17M



(Unit:mm)

Motor upward to the right	Stroke	Stroke																			
		50	100	150	200	250	300	350	400	450	500	550	600	650	700	750	800	850	900	950	1000
L	419	469	519	569	619	669	719	769	819	869	919	969	1019	1069	1119	1169	1219	1269	1319	1369	1419
A	50	100	150	200	50	100	150	200	50	100	150	200	50	100	150	200	50	100	150	200	50
M	1	1	1	1	2	2	2	2	3	3	3	3	4	4	4	4	5	5	5	5	6
N	6	6	6	6	8	8	8	8	10	10	10	10	12	12	12	12	14	14	14	14	16
KG	10.2	12	13.8	14.6	15.4	16.1	16.9	17.7	18.5	19.2	20	20.8	21.6	22.3	23.1	23.9	24.7	25.4	26.2	27	27.8

Motor upward to the right	Stroke	Stroke																			
		1100	1150	1200	1250	1300	1350	1400	1450	1500	1550	1600	1650	1700	1750	1800	1850	1900	1950	2000	2050
L	1469	1519	1569	1619	1669	1719	1769	1819	1869	1919	1969	2019	2069	2119	2169	2219	2269	2319	2369	2419	2469
A	100	150	200	50	100	150	200	50	100	150	200	50	100	150	200	50	100	150	200	50	100
M	6	6	6	7	7	7	7	8	8	8	8	9	9	9	9	10	10	10	10	11	11
N	16	16	16	18	18	18	20	20	20	20	22	22	22	22	22	24	24	24	24	26	26
KG	28.6	29.4	30.2	31	31.8	32.6	33.4	34.2	35	35.8	36.6	37.4	38.2	39	39.8	40.6	41.4	42.2	43	43.8	44.6

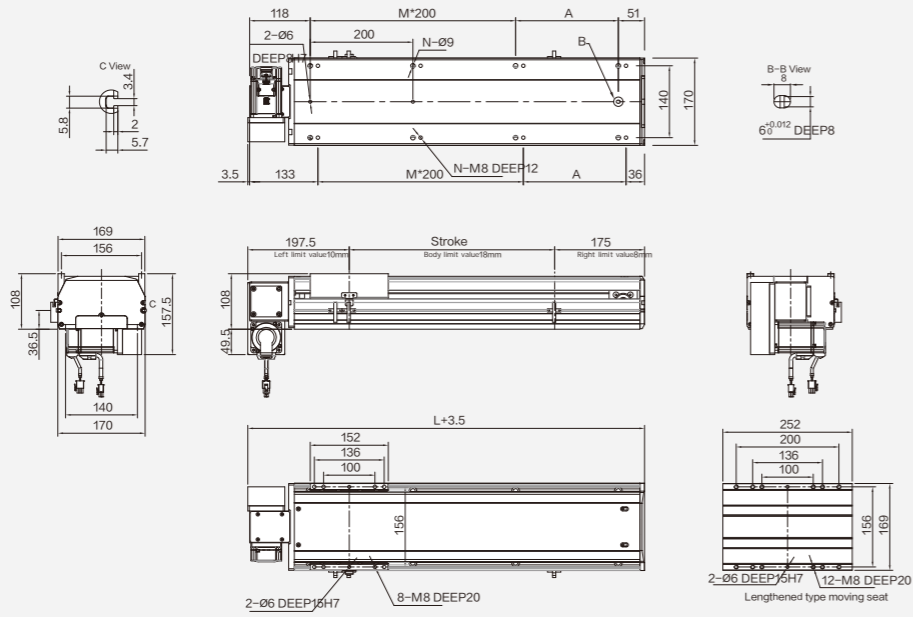
Motor upward to the right	Stroke	Stroke																			
		2150	2200	2250	2300	2350	2400	2450	2500	2550	2600	2650	2700	2750	2800	2850	2900	2950	3000	3050	
L	2519	2569	2619	2669	2719	2769	2819	2869	2919	2969	3019	3069	3119	3169	3219	3269	3319	3369	3419		
A	150	200	50	100	150	200	50	100	150	200	50	100	150	200	50	100	150	200	50		
M	11	11	12	12	12	12	13	13	13	13	14	14	14	14	15	15	15	15	16		
N	26	26	28	28	28	28	30	30	30	30	32	32	32	32	34	34	34	34	36		
KG	45.4	46.2	47	47.8	48.6	49.4	50.2	51	51.8	52.6	53.4	54.2	55	55.8	56.6	57.4	58.2	59	59.8		

ATH3
ATH4
ATH5
ATH8
ATH12
ATH15
RTH4
RTH5
RTH8
RTH12
DG60
DG100
DG135
KTH13
KTH14
KTH17
KTH22
KTH27
DMB5
DMB10
DMB20
DMB30
DMB40
EMB5
EMB10
EMB20
RTB5
RTB8
RTB12
RTB15
DB100
DB135
KT B14M
KT B17M
KT B22M
MB65
MB80
MB110
ACH4
ACH5
ACH8
ACH12
ACH15
RCH4
RCH5
RCH8
RCH12
KCH14
KCH17
KCH22
RCB5
RCB8
RCB12
RCB15
KCB14
KCB17
KCB22
KKT50
KKT60
KKT86
GR14
GR17
GR22
LM80
LM140
LM170
LM210

General/ Inline/ Screw sample
ATH
RTH
General/ Screw sample
DG
KTH
General/ Electric cylinder sample
DMB
EMB
General/ Inline/ Belt sample
RTB
General/ Belt sample
DB
KT B
General/ European/Belt sample
MB
Clean/ Inline/ Screw sample
ACH
RCH
Clean/ Screw sample
KCH
RCB
Clean/ Belt sample
KCB
General/ KKT/ Screw sample
KKT
General/ Rack and pinion sample
GR
General/ Linear motor sample
LM
Reference

Motor down to the left

1-axis KTB17M



(Unit:mm)

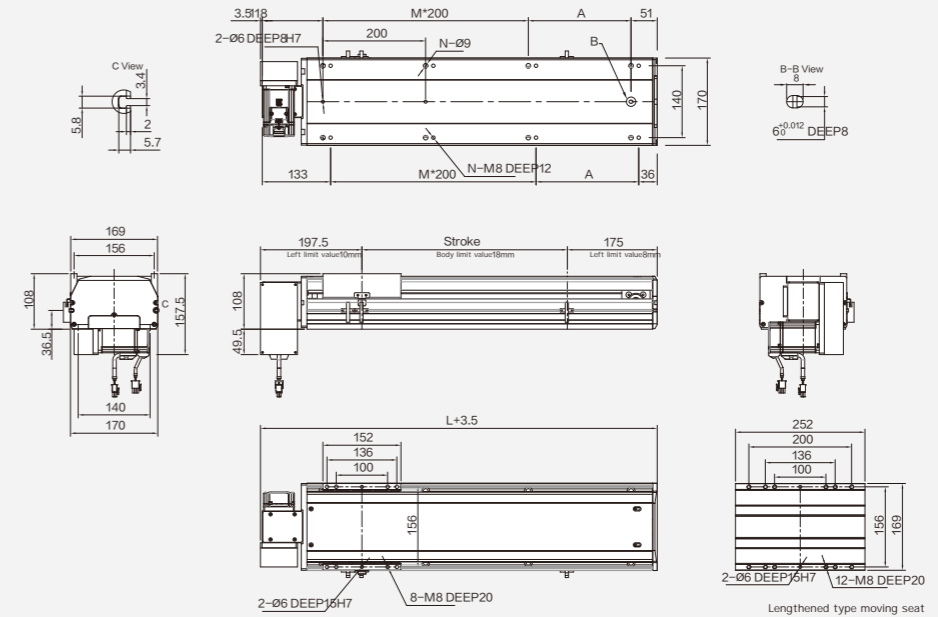
Motor down to the left	Stroke	Stroke																				
		50	100	150	200	250	300	350	400	450	500	550	600	650	700	750	800	850	900	950	1000	1050
LD	L	419	469	519	569	619	669	719	769	819	869	919	969	1019	1069	1119	1169	1219	1269	1319	1369	1419
	A	50	100	150	200	50	100	150	200	50	100	150	200	50	100	150	200	50	100	150	200	50
	M	1	1	1	1	2	2	2	2	3	3	3	3	4	4	4	4	5	5	5	5	6
	N	6	6	6	6	8	8	8	8	10	10	10	10	12	12	12	12	14	14	14	14	16
	KG	10.2	12	13.8	14.6	15.4	16.1	16.9	17.7	18.5	19.2	20	20.8	21.6	22.3	23.1	23.9	24.7	25.4	26.2	27	27.8

Motor down to the left	Stroke	Stroke																				
		1100	1150	1200	1250	1300	1350	1400	1450	1500	1550	1600	1650	1700	1750	1800	1850	1900	1950	2000	2050	2100
LD	L	1469	1519	1569	1619	1669	1719	1769	1819	1869	1919	1969	2019	2069	2119	2169	2219	2269	2319	2369	2419	2469
	A	100	150	200	50	100	150	200	50	100	150	200	50	100	150	200	50	100	150	200	50	100
	M	6	6	6	7	7	7	7	8	8	8	8	9	9	9	9	10	10	10	10	11	11
	N	16	16	16	18	18	18	18	20	20	20	20	22	22	22	22	24	24	24	24	26	26
	KG	28.6	29.4	30.2	31	31.8	32.6	33.4	34.2	35	35.8	36.6	37.4	38.2	39	39.8	40.6	41.4	42.2	43	43.8	44.6

Motor down to the left	Stroke	Stroke																				
		2150	2200	2250	2300	2350	2400	2450	2500	2550	2600	2650	2700	2750	2800	2850	2900	2950	3000	3050		
LD	L	2519	2569	2619	2669	2719	2769	2819	2869	2919	2969	3019	3069	3119	3169	3219	3269	3319	3369	3419		
	A	150	200	50	100	150	200	50	100	150	200	50	100	150	200	50	100	150	200	50		
	M	11	11	12	12	12	12	13	13	13	13	14	14	14	14	15	15	15	15	16		
	N	26	26	28	28	28	28	30	30	30	30	32	32	32	32	34	34	34	34	36		
	KG	45.4	46.2	47	47.8	48.6	49.4	50.2	51	51.8	52.6	53.4	54.2	55	55.8	56.6	57.4	58.2	59	59.8		

Motor down to the right

1-axis KTB17M



(Unit:mm)

Motor down to the right	Stroke	Stroke																				
		50	100	150	200	250	300	350	400	450	500	550	600	650	700	750	800	850	900	950	1000	1050
RD	L	419	469	519	569	619	669	719	769	819	869	919	969	1019	1069	1119	1169	1219	1269	1319	1369	1419
	A	50	100	150	200	50	100	150	200	50	100	150	200	50	100	150	200	50	100	150	200	50
	M	1	1	1	1	2	2	2	2	3	3	3	3	4	4	4	4	5	5	5	5	6
	N	6	6	6	6	8	8	8	8	10	10	10	10	12	12	12	12	14	14	14	14	16
	KG	10.2	12	13.8	14.6	15.4	16.1	16.9	17.7	18.5	19.2	20	20.8	21.6	22.3	23.1	23.9	24.7	25.4	26.2	27	27.8

Motor down to the right	Stroke	Stroke																				
		1100	1150	1200	1250	1300	1350	1400	1450	1500	1550	1600	1650	1700	1750	1800	1850	1900	1950	2000	2050	2100
RD	L	1469	1519	1569	1619	1669	1719	1769	1819	1869	1919	1969	2019	2069	2119	2169	2219	2269	2319	2369	2419	2469
	A	100	150	200	50	100	150	200	50	100	150	200	50	100	150	200	50	100	150	200	50	100
	M	6	6	6	7	7	7	7	8	8	8	8	9	9	9	9	10	10	10	10	11	11
	N	16	16	16	18	18	18	18	20	20	20	20	22	22	22	22	24	24	24	24	26	26
	KG	28.6	29.4	30.2	31	31.8	32.6	33.4	34.2	35	35.8	36.6	37.4	38.2	39	39.8	40.6	41.4	42.2	43	43.8	44.6

Motor down to the right	Stroke	Stroke																				
		2150	2200	2250	2300	2350	2400	2450	2500	2550	2600	2650	2700	2750	2800	2850	2900	2950	3000	3050		
RD	L	2519	2569	2619	2669	2719	2769	2819	2869	2919	2969	3019	3069	3119	3169	3219	3269	3319	3369	3419		
	A	150	200	50	100	150	200	50	100	150	200	50	100	150	200	50	100	150	200	50		
	M	11	11	12	12	12	12	13	13	13	13	14	14	14	14	15	15	15	15	16		
	N	26	26	28	28	28	28	30	30	30	30	32	32	32	32	34	34	34	34	36		
	KG	45.4	46.2	47	47.8	48.6	49.4	50.2	51	51.8	52.6	53.4	54.2	55	55.8	56.6	57.4	58.2	59	59.8		

ATH3
ATH4
ATH5
ATH8
ATH12
ATH15
RTH4
RTH5
RTH8
RTH12
DG60
DG100
DG135
KTH13
KTH14
KTH17
KTH22
KTH27
DMB5
DMB10
DMB20
DMB30
DMB40
EMB5
EMB10
EMB20
RTB5
RTB8
RTB12
RTB15
DB100
DB135
KT B14M
KT B17M
KT B22M
MB65
MB80
MB110
ACH4
ACH5
ACH8
ACH12
ACH15
RCH4
RCH5
RCH8
RCH12
KCH14
KCH17
KCH22
RCB5
RCB8
RCB12
RCB15
KCB14
KCB17
KCB22
KKT50
KKT60
KKT86
GR14
GR17
GR22
LM80
LM140
LM170
LM210

General/ In-line/ Screw sample
ATH
RTH
General/ Screw sample
DG
KTH
General/ Electric cylinder sample
DMB
EMB
General/ In-line/ Belt sample
RTB
General/ Belt sample
DB
KT B
General/ European/ Belt sample
MB
Clean/ In-line/ Screw sample
ACH
RCH
Clean/ Screw sample
KCH
Clean/ In-line/ Belt sample
RCB
Clean/ Belt sample
KCB
General/ KKT/ Screw sample
KKT
General/ Rack and pinion sample
GR
General/ Linear motor sample
LM
Reference

General belt series

KTB22M

1-axis



This figure is for reference only. the shipping specifications are detailed in the dimension drawing.

Maximum stroke	3400mm	Maximum speed	2000mm/s	Motor capacity	750W	Belt Width	50mm
----------------	--------	---------------	----------	----------------	------	------------	------

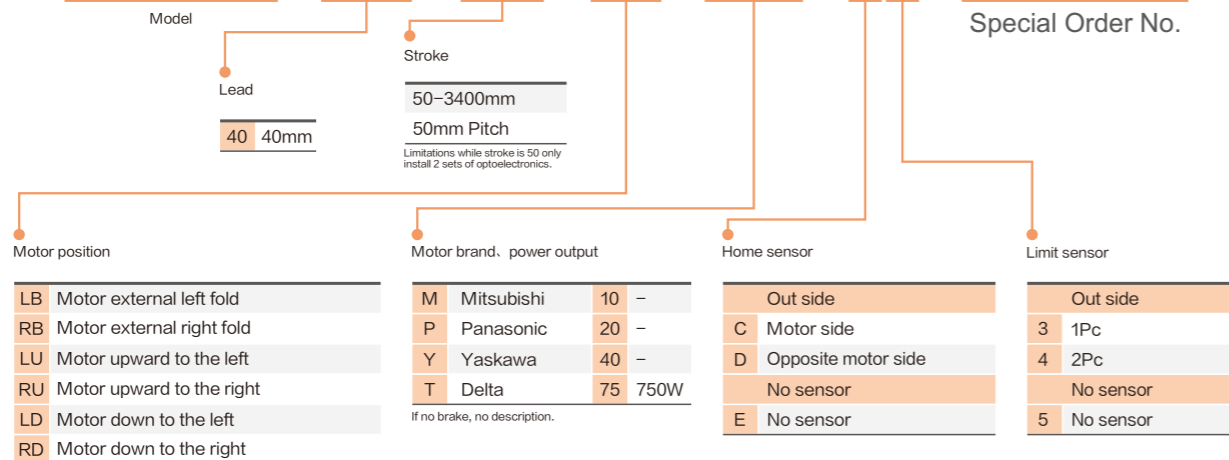
Motor direction



Ordering method

KTB22M - L40 - 100 - LB - P75 - C4 - Special

Special Order No.

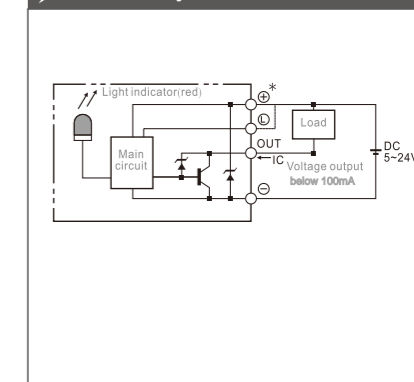


Specification

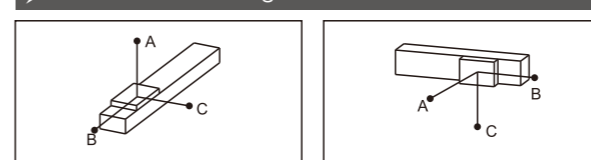
Spec	Repeatability	mm	± 0.04	
	Lead	mm	40	
	Maximum speed	mm/s	2000	
	Maximum payload	Horizontal	kg	85
		Vertical	kg	
	Rated thrust	N	367	
Stroke pitch	mm	50-3400mm/50 pitch		
Parts	AC Servo motor output	W	750	
	Belt Width	mm	50	
	High rigidity linear guide	mm	W23XH18	
	Home sensor	Outside	EE-SX672(NPN)	

Acceleration and deceleration value is set 0.4 second.

Sensor layout

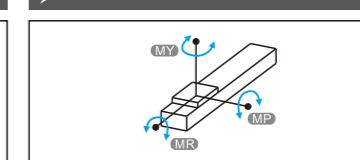


Allowable overhang



(Unit:mm)				(Unit:mm)					
Horizontal Installation				Wall Installation					
	A	B	C		A	B	C		
Lead 40	45kg	1588	600	349	Lead 40	40kg	500	685	1805
	65kg	1052	328	285		60kg	315	430	1152
	85kg	768	281	206		85kg	206	281	768

Static loading moment



(Unit:N.m)	
MY	2052
MP	2052
MR	1810

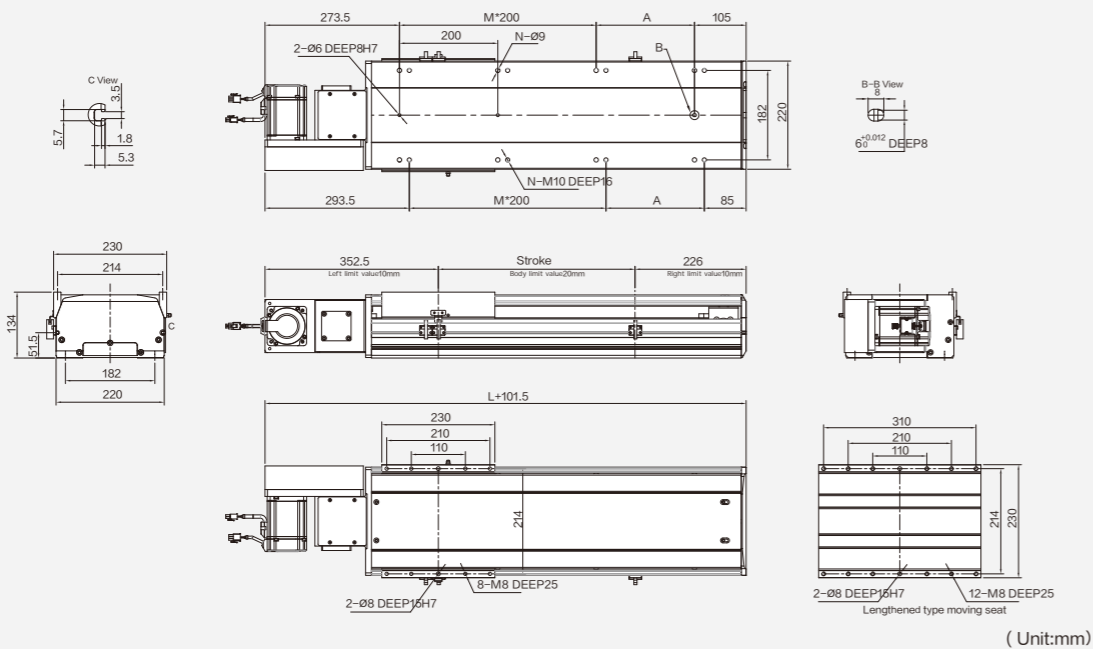
The torque value in the chart indicate the center of gravity.
 Operation life is 10,000km when the product is using under the specified conditions.
 Data information is not for ceiling-mount inverse use. Contact us for the details if you want to apply ceiling-mount inverse usage.

Suitable motor brand

Brand	Mark	Brake	Watt	AC-Voltage	Motor model	Driver model
Mitsubishi	M	No brake(Horizontal type)	750	220	HG-KR73	MR-J4-70A
Panasonic	P	No brake(Horizontal type)	750	220	MHMD082G1U	MCDHT3520
Delta	T	No brake(Horizontal type)	750	220	ECMA-C20807ES	ASD-B20721-B

Motor external left fold

1-axis **KT B22M**



(Unit:mm)

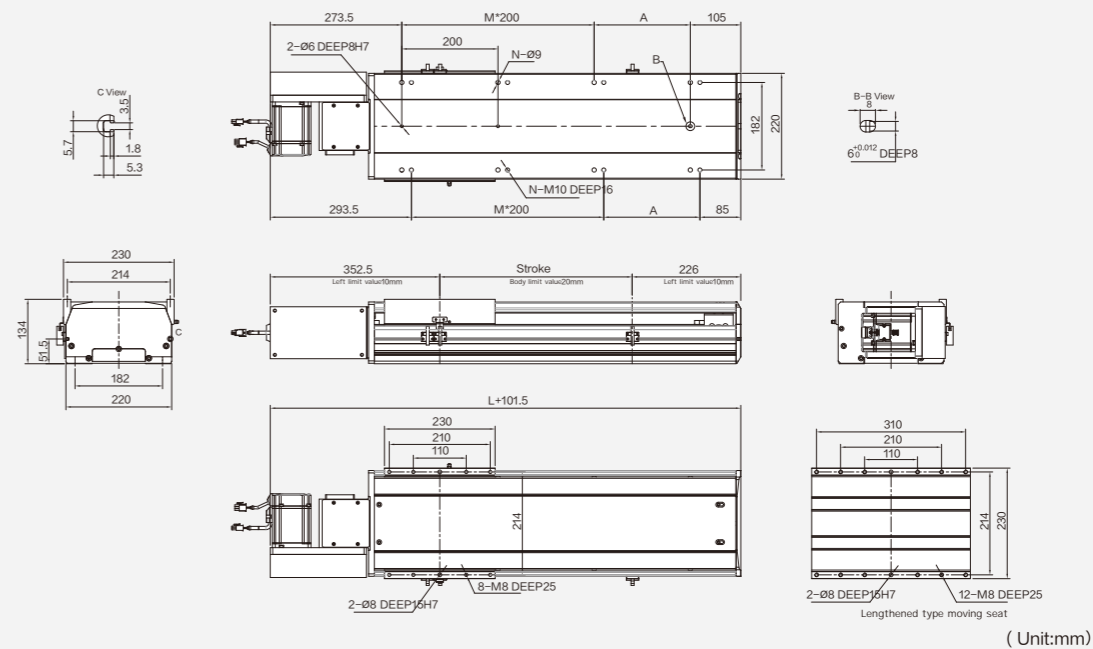
Motor external left fold	Stroke	Stroke																			
		50	100	150	200	250	300	350	400	450	500	550	600	650	700	750	800	850	900	950	1000
L	527	577	627	677	727	777	827	877	927	977	1027	1077	1127	1177	1227	1277	1327	1377	1427	1477	1527
A	50	100	150	200	50	100	150	200	50	100	150	200	50	100	150	200	50	100	150	200	50
M	1	1	1	1	2	2	2	2	3	3	3	3	4	4	4	4	5	5	5	5	6
N	6	6	6	6	8	8	8	8	10	10	10	10	12	12	12	12	14	14	14	14	16
KG	28.8	30	31.2	32.4	33.6	34.8	36	37.2	38.4	39.6	40.8	42	43.2	44.4	45.6	46.8	48	49.2	50.4	51.6	52.8

Motor external left fold	Stroke	Stroke																			
		1100	1150	1200	1250	1300	1350	1400	1450	1500	1550	1600	1650	1700	1750	1800	1850	1900	1950	2000	2050
L	1577	1627	1677	1727	1777	1827	1877	1927	1977	2027	2077	2127	2177	2227	2277	2327	2377	2427	2477	2527	2577
A	100	150	200	50	100	150	200	50	100	150	200	50	100	150	200	50	100	150	200	50	100
M	6	6	6	7	7	7	7	8	8	8	8	9	9	9	9	10	10	10	10	11	11
N	16	16	16	18	18	18	18	20	20	20	20	22	22	22	22	24	24	24	24	26	26
KG	54	55.2	56.4	59.2	59.8	60	61.2	62.4	63.6	64.8	66	67.2	68.4	69.6	70.8	72	73.2	74.4	75.6	76.8	78

Motor external left fold	Stroke	Stroke																			
		2150	2200	2250	2300	2350	2400	2450	2500	2550	2600	2650	2700	2750	2800	2850	2900	2950	3000	3050	
L	2627	2677	2727	2777	2827	2877	2927	2977	3027	3077	3127	3177	3227	3277	3327	3377	3427	3477	3527		
A	150	200	50	100	150	200	50	100	150	200	50	100	150	200	50	100	150	200	50		
M	11	11	12	12	12	12	13	13	13	13	14	14	14	14	15	15	15	15	16		
N	26	26	28	28	28	28	30	30	30	30	32	32	32	32	34	34	34	34	36		
KG	79.2	80.4	81.6	82.8	84	85.2	86.4	87.6	88.8	90	91.2	92.4	93.6	94.8	96	97.2	98.4	99.6	100.8		

Motor external right fold

1-axis **KT B22M**



(Unit:mm)

Motor external right fold	Stroke	Stroke																			
		50	100	150	200	250	300	350	400	450	500	550	600	650	700	750	800	850	900	950	1000
L	527	577	627	677	727	777	827	877	927	977	1027	1077	1127	1177	1227	1277	1327	1377	1427	1477	1527
A	50	100	150	200	50	100	150	200	50	100	150	200	50	100	150	200	50	100	150	200	50
M	1	1	1	1	2	2	2	2	3	3	3	3	4	4	4	4	5	5	5	5	6
N	6	6	6	6	8	8	8	8	10	10	10	10	12	12	12	12	14	14	14	14	16
KG	28.8	30	31.2	32.4	33.6	34.8	36	37.2	38.4	39.6	40.8	42	43.2	44.4	45.6	46.8	48	49.2	50.4	51.6	52.8

Motor external right fold	Stroke	Stroke																			
		1100	1150	1200	1250	1300	1350	1400	1450	1500	1550	1600	1650	1700	1750	1800	1850	1900	1950	2000	2050
L	1577	1627	1677	1727	1777	1827	1877	1927	1977	2027	2077	2127	2177	2227	2277	2327	2377	2427	2477	2527	2577
A	100	150	200	50	100	150	200	50	100	150	200	50	100	150	200	50	100	150	200	50	100
M	6	6	6	7	7	7	7	8	8	8	8	9	9	9	9	10	10	10	10	11	11
N	16	16	16	18	18	18	18	20	20	20	20	22	22	22	22	24	24	24	24	26	26
KG	54	55.2	56.4	59.2	59.8	60	61.2	62.4	63.6	64.8	66	67.2	68.4	69.6	70.8	72	73.2	74.4	75.6	76.8	78

Motor external right fold	Stroke	Stroke																			
		2150	2200	2250	2300	2350	2400	2450	2500	2550	2600	2650	2700	2750	2800	2850	2900	2950	3000	3050	
L	2627	2677	2727	2777	2827	2877	2927	2977	3027	3077	3127	3177	3227	3277	3327	3377	3427	3477	3527		
A	150	200	50	100	150	200	50	100	150	200	50	100	150	200	50	100	150	200	50		
M	11	11	12	12	12	12	13	13	13	13	14	14	14	14	15	15	15	15	16		
N	26	26	28	28	28	28	30	30	30	30	32	32	32	32	34	34	34	34	36		
KG	79.2	80.4	81.6	82.8	84	85.2	86.4	87.6	88.8	90	91.2	92.4	93.6	94.8	96	97.2	98.4	99.6	100.8		

ATH3
ATH4
ATH5
ATH8
ATH12
ATH15
RTH4
RTH5
RTH8
RTH12
DG60
DG100
DG135
KTH13
KTH14
KTH17
KTH22
KTH27
DMB5
DMB10
DMB20
DMB30
DMB40
EMB5
EMB10
EMB20
RTB5
RTB8
RTB12
RTB15
DB100
DB135
KT B14M
KT B17M

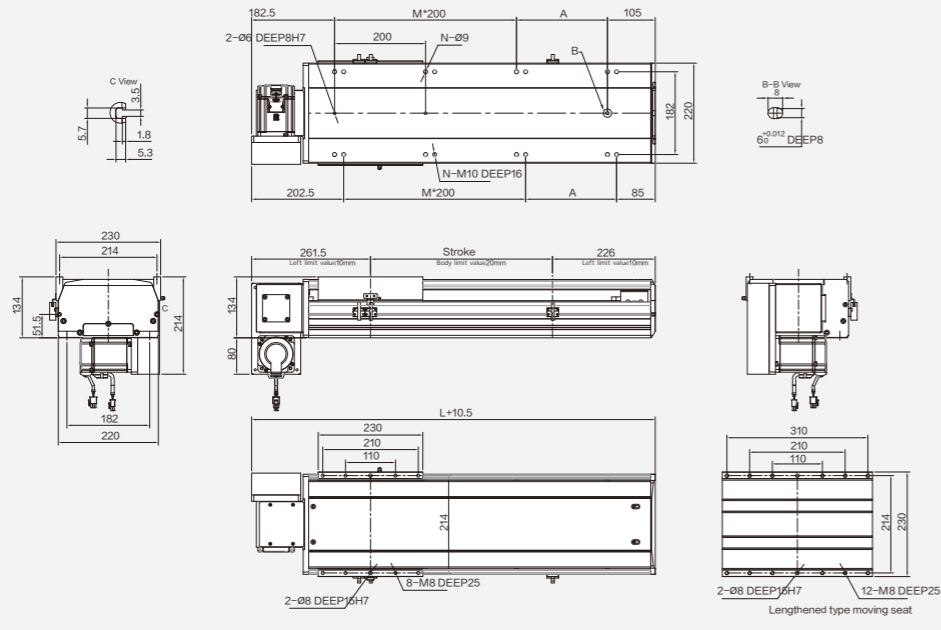
KT B22M

MB5
MB8
MB10
MB110
ACH4
ACH5
ACH8
ACH12
ACH15
RCH4
RCH5
RCH8
RCH12
KCH14
KCH17
KCH22
RCB5
RCB8
RCB12
RCB15
KCB14
KCB17
KCB22
KKT50
KKT60
KKT86
GR14
GR17
GR22
LM80
LM140
LM170
LM210

General/
Inline/
Screw sample
ATH
RTH
General/
Screw sample
DG
KTH
General/
Electric cylinder
sample
DMB
EMB
General/Inline
/Belt sample
RTB
General/
Belt sample
DB
KT B
General/
European/Belt
sample
MB
Clean/Inline/
Screw sample
ACH
RCH
Clean/
Screw sample
KCH
Clean/Inline/
Belt sample
RCB
Clean/
Belt sample
KCB
General/KKT/
Screw sample
KKT
General/
Rack and
pinion sample
GR
General/
Linear motor
sample
LM
Reference

Motor down to the left

1-axis KTB22M



(Unit:mm)

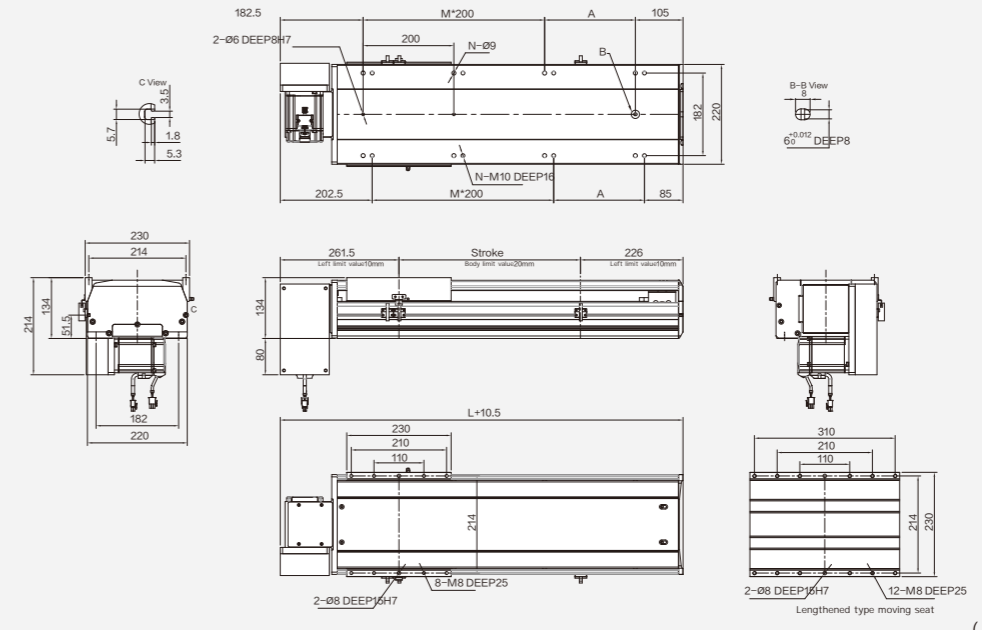
Motor down to the left	Stroke	Stroke																				
		50	100	150	200	250	300	350	400	450	500	550	600	650	700	750	800	850	900	950	1000	1050
LD	L	527	577	627	677	727	777	827	877	927	977	1027	1077	1127	1177	1227	1277	1327	1377	1427	1477	1527
	A	50	100	150	200	50	100	150	200	50	100	150	200	50	100	150	200	50	100	150	200	50
	M	1	1	1	1	2	2	2	2	3	3	3	3	4	4	4	4	5	5	5	5	6
	N	6	6	6	6	8	8	8	8	10	10	10	10	12	12	12	12	14	14	14	14	16
KG	28.8	30	31.2	32.4	33.6	34.8	36	37.2	38.4	39.6	40.8	42	43.2	44.4	45.6	46.8	48	49.2	50.4	51.6	52.8	

Motor down to the left	Stroke	Stroke																				
		1100	1150	1200	1250	1300	1350	1400	1450	1500	1550	1600	1650	1700	1750	1800	1850	1900	1950	2000	2050	2100
LD	L	1577	1627	1677	1727	1777	1827	1877	1927	1977	2027	2077	2127	2177	2227	2277	2327	2377	2427	2477	2527	2577
	A	100	150	200	50	100	150	200	50	100	150	200	50	100	150	200	50	100	150	200	50	100
	M	6	6	6	7	7	7	7	8	8	8	8	9	9	9	9	10	10	10	10	11	11
	N	16	16	16	18	18	18	18	20	20	20	20	22	22	22	22	24	24	24	24	26	26
KG	54	55.2	56.4	59.2	59.8	60	61.2	62.4	63.6	64.8	66	67.2	68.4	69.6	70.8	72	73.2	74.4	75.6	76.8	78	

Motor down to the left	Stroke	Stroke																				
		2150	2200	2250	2300	2350	2400	2450	2500	2550	2600	2650	2700	2750	2800	2850	2900	2950	3000	3050		
LD	L	2627	2677	2727	2777	2827	2877	2927	2977	3027	3077	3127	3177	3227	3277	3327	3377	3427	3477	3527		
	A	150	200	50	100	150	200	50	100	150	200	50	100	150	200	50	100	150	200	50		
	M	11	11	12	12	12	12	13	13	13	13	14	14	14	14	15	15	15	15	16		
	N	26	26	28	28	28	28	30	30	30	30	32	32	32	32	34	34	34	34	36		
KG	79.2	80.4	81.6	82.8	84	85.2	86.4	87.6	88.8	90	91.2	92.4	93.6	94.8	96	97.2	98.4	99.6	100.8			

Motor down to the right

1-axis KTB22M



(Unit:mm)

Motor down to the right	Stroke	Stroke																				
		50	100	150	200	250	300	350	400	450	500	550	600	650	700	750	800	850	900	950	1000	1050
RD	L	527	577	627	677	727	777	827	877	927	977	1027	1077	1127	1177	1227	1277	1327	1377	1427	1477	1527
	A	50	100	150	200	50	100	150	200	50	100	150	200	50	100	150	200	50	100	150	200	50
	M	1	1	1	1	2	2	2	2	3	3	3	3	4	4	4	4	5	5	5	5	6
	N	6	6	6	6	8	8	8	8	10	10	10	10	12	12	12	12	14	14	14	14	16
KG	28.8	30	31.2	32.4	33.6	34.8	36	37.2	38.4	39.6	40.8	42	43.2	44.4	45.6	46.8	48	49.2	50.4	51.6	52.8	

Motor down to the right	Stroke	Stroke																				
		1100	1150	1200	1250	1300	1350	1400	1450	1500	1550	1600	1650	1700	1750	1800	1850	1900	1950	2000	2050	2100
RD	L	1577	1627	1677	1727	1777	1827	1877	1927	1977	2027	2077	2127	2177	2227	2277	2327	2377	2427	2477	2527	2577
	A	100	150	200	50	100	150	200	50	100	150	200	50	100	150	200	50	100	150	200	50	100
	M	6	6	6	7	7	7	7	8	8	8	8	9	9	9	9	10	10	10	10	11	11
	N	16	16	16	18	18	18	18	20	20	20	20	22	22	22	22	24	24	24	24	26	26
KG	54	55.2	56.4	59.2	59.8	60	61.2	62.4	63.6	64.8	66	67.2	68.4	69.6	70.8	72	73.2	74.4	75.6	76.8	78	

Motor down to the right	Stroke	Stroke																				
		2150	2200	2250	2300	2350	2400	2450	2500	2550	2600	2650	2700	2750	2800	2850	2900	2950	3000	3050		
RD	L	2627	2677	2727	2777	2827	2877	2927	2977	3027	3077	3127	3177	3227	3277	3327	3377	3427	3477	3527		
	A	150	200	50	100	150	200	50	100	150	200	50	100	150	200	50	100	150	200	50		
	M	11	11	12	12	12	12	13	13	13	13	14	14	14	14	15	15	15	15	16		
	N	26	26	28	28	28	28	30	30	30	30	32	32	32	32	34	34	34	34	36		
KG	79.2	80.4	81.6	82.8	84	85.2	86.4	87.6	88.8	90	91.2	92.4	93.6	94.8	96	97.2	98.4	99.6	100.8			

ATH3
ATH4
ATH5
ATH8
ATH12
ATH15
RTH4
RTH5
RTH8
RTH12
DG60
DG100
DG135
KTH13
KTH14
KTH17
KTH22
KTH27
DMB5
DMB10
DMB20
DMB30
DMB40
EMB5
EMB10
EMB20
RTB5
RTB8
RTB12
RTB15
DB100
DB135
KT B14M
KT B17M

KT B22M

MB5
MB8
MB110
ACH4
ACH5
ACH8
ACH12
ACH15
RCH4
RCH5
RCH8
RCH12
KCH14
KCH17
KCH22
RCB5
RCB8
RCB12
RCB15
KCB14
KCB17
KCB22
KKT50
KKT60
KKT86
GR14
GR17
GR22
LM80
LM140
LM170
LM210

General/
In-line/
Screw sample
ATH
RTH
General/
Screw sample
DG
KTH
General/
Electric cylinder
sample
DMB
EMB
General/
In-line/
Belt sample
RTB
General/
Belt sample
DB
KT B
General/
European/Belt
sample
MB
Clean/
In-line/
Screw sample
ACH
RCH
Clean/
Screw sample
KCH
Clean/
In-line/
Belt sample
RCB
Clean/
Belt sample
KCB
General/
KKT/
Screw sample
KKT
General/
Rack and
pinion sample
GR
General/
Linear motor
sample
LM
Reference

Various combinations



Various combinations



Motor mounting size

Motor mounting size						
Motor size	□ 38	□ 60	□ 60	□ 80	□ 42.3	□ 86
Shaft diameter	Ø8	Ø11	Ø14	Ø19	Ø5	Ø14
Capacity w	100W	200W	400W	750W	42 Stepping motor	86 Stepping motor
Flange code	A	C	E	G	I	K
Motor mounting size						
Motor size	□ 40	□ 60	□ 60	□ 80	□ 56.4	□ 86
Shaft diameter	Ø8	Ø14	Ø14	Ø19	Ø8	Ø12.7
Capacity w	100W	200W	400W	750W	57 Stepping motor	86 Stepping motor
Flange code	B	D	F	H	J	L

Note: This table is for reference only, subject to actual size.

Purchase Guide

Ball screw drive/General environment

RTH Series

Built-in self-lubricating series

RTH5		RTH5	
	Maximum stroke 850mm Maximum load 25kg Body width 44mm		Maximum stroke 850mm Maximum load 30kg Body width 54mm

RTH8		RTH12	
	Maximum stroke 1100mm Maximum load 50kg Body width 82mm		Maximum stroke 1300mm Maximum load 110kg Body width 120mm



KTH Series

General screw series

KTH13		KTH14		KTH17	
	Maximum stroke 1050mm Maximum load 70kg Body width 135mm		Maximum stroke 1050mm Maximum load 110kg Body width 135mm		Maximum stroke 1250mm Maximum load 120kg Body width 170mm

KTH22		KTH27	
	Maximum stroke 1500mm Maximum load 150kg Body width 220mm		Maximum stroke 1500mm Maximum load 350kg Body width 270mm



Ball screw drive/General environment

KKT Series

KKT series

KKT50		KKT60		KKT86	
	Maximum track length 300mm Basic dynamic rated load 1813N Basic static load rating 2910N Body width 50mm		Maximum track length 600mm Basic dynamic rated load 3377N Basic static load rating 5625N Body width 60mm		Maximum track length 940mm Basic dynamic rated load 6429N Basic static load rating 11387N Body width 86mm



Rack and pinion/General environment

GR Series

Rack and pinion series

GR14		GR17		GR22	
	Maximum stroke 3500mm Maximum load 88kg Body width 135mm		Maximum stroke 3500mm Maximum load 102kg Body width 170mm		Maximum stroke 3500mm Maximum load 150kg Body width 220mm







Purchase Guide

RTB Series

RTB series:
 1. 1.50mm shorter than ATB series
 2. Compact size for limited installation space.



Inline belt series	
RTB5  Maximum stroke 850mm Maximum load 5kg Body width 54mm	RTB8  Maximum stroke 1750mm Maximum load 15kg Body width 82mm

RTB12  Maximum stroke 1750mm Maximum load 25kg Body width 120mm	RTB15  Maximum stroke 1750mm Maximum load 45kg Body width 155mm
---	---

KTB Series

General belt series		
KTB14M  Maximum stroke 3050mm Maximum load 25kg Body width 135mm	KTB17M  Maximum stroke 3050mm Maximum load 45kg Body width 170mm	KTB22M  Maximum stroke 3400mm Maximum load 85kg Body width 220mm

MB Series

European belt series		
MB65  Maximum stroke 5500mm Maximum load 60kg Body width 65mm	MB80  Maximum stroke 5500mm Maximum load 100kg Body width 80mm	MB110  Maximum stroke 5500mm Maximum load 200kg Body width 110mm



Belt drive/General environment

Simple Selection Table–Single Axis Series

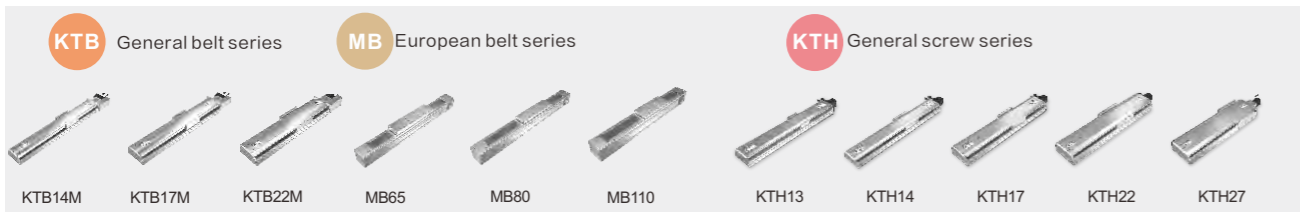


Model Specification	ATH3	ATH4	ATH5	ATH8	ATH12	ATH15		
Motor Output (W)	50	100	100	200/400	400	400	750	
Repeatability (mm)	± 0.005	± 0.005	± 0.005	± 0.005	± 0.005	± 0.005		
Ball Screw Lead (mm)	1/2/5	2/5/10	5/10/20	5/10/20	5/10/20/32	5/10/20/40		
Maximum speed (mm/s)	50/100/300	100/250/500	250/500/1000	250/500/1000	250/500/1000/1600	250/500/1000/2000		
Maximum payload (kg)	Horizontal	5/5/3	25/20/12	30/15/10	50/30/18	110/88/40/30	120/110/75/22	120/120/83/43
	Vertical	3/2/0.8	8/8/3.5	10/5/2.5	15/8/3	33/22/10/8	40/30/14/7	50/40/25/12
Stroke (mm)	10-200	50-800	50-800	50-1050	50-1250	50-1250		

Model Specification	RTH4	RTH5	RTH8	RTH12	
Motor Output (W)	100	100	200/400	400	
Repeatability (mm)	± 0.005	± 0.005	± 0.005	± 0.005	
Ball Screw Lead (mm)	2/5/10	5/10/20	5/10/20	5/10/20/32	
Maximum speed (mm/s)	100/250/500	250/500/1000	250/500/1000	250/500/1000/1600	
Maximum payload (kg)	Horizontal	25/20/12	30/15/10	50/30/18	110/88/40/30
	Vertical	8/8/3.5	10/5/2.5	15/8/3	33/22/10/8
Stroke (mm)	50-850	50-850	50-1100	50-1300	



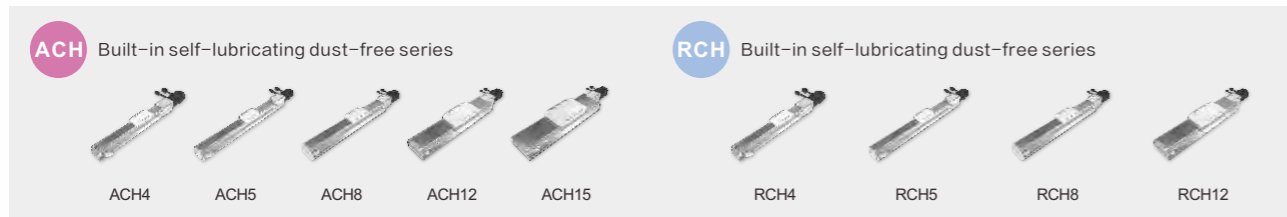
Model Specification	RTB5	RTB8	RTB12	RTB15	
Motor Output (W)	100	200	200	400	
Repeatability (mm)	± 0.04	± 0.04	± 0.04	± 0.04	
Ball Screw Lead (mm)	30/60	33/66	36/72	42/84	
Maximum speed (mm/s)	1500/3000	1650/3300	1800/3600	2100/4200	
Maximum payload (kg)	Horizontal	5	15	25	45
	Vertical	-	-	-	-
Stroke (mm)	50-850	50-1750	50-1750	50-1750	



Model Specification	KTB14M	KTB17M	KTB22M	MB65	MB80	MB110	
Motor Output (W)	200	400	750	400	400/750	750	
Repeatability (mm)	± 0.04	± 0.04	± 0.04	± 0.1	± 0.1	± 0.1	
Ball Screw Lead (mm)	40	40	40	130	200	280	
Gearbox Ratio	-	-	-	3:1/5:1/7:1/10: 1	5:1/7:1/10:1	10:1/15:1/20:1	
Maximum speed (mm/s)	2000	2000	2000	2166/1300/928/650	2000/1428/1000	1400/933/700	
Maximum payload (kg)	Horizontal	25	45	85	30/45/55/60	40/60/100	100/150/200
	Vertical	-	-	-	9/15/16/17	14/21/24	23/36/50
Stroke (mm)	50-3050	50-3050	50-3400	100-5500	100-5500	100-5500	

Model Specification	KTH13	KTH14		KTH17		KTH22	KTH27		
Motor Output (W)	200/400	200	400	400	750	750	750	1000	
Repeatability (mm)	± 0.005	± 0.005		± 0.005		± 0.005	± 0.005		
Ball Screw Lead (mm)	5/10/20/32	5/10/20/32		5/10/20/40		5/10/25/32	5/10/20/32		
Maximum speed (mm/s)	250/500/1000/1600	250/500/1000/1600		250/500/1000/2000		250/500/1250/1600	250/500/1000/1600		
Maximum payload (kg)	Horizontal	70/47/24/13	95/75/35/15	110/88/40/30	120/110/75/22	120/120/83/43	150/150/105/60	250/200/100/50	350/300/200/100
	Vertical	17/12/6/-	27/18/7/-	33/22/10/8	40/30/14/7	50/40/25/12	55/45/20/20	100/80/40/20	140/120/80/40
Stroke (mm)	50-1050	50-1050		50-1250		50-1500	100-1500		

Simple Selection Table-Single Axis Series



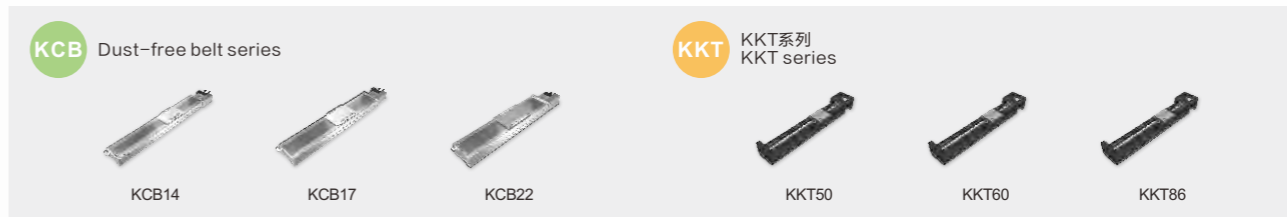
Model Specification	ACH4	ACH5	ACH8	ACH12	ACH15	
Motor Output (W)	100	100	200/400	400	400	750
Repeatability (mm)	±0.005	±0.005	±0.005	±0.005	±0.005	
Ball Screw Lead (mm)	2/5/10	5/10/20	5/10/20	5/10/20/32	5/10/20/40	
Maximum speed (mm/s)	100/250/500	250/500/1000	250/500/1000	250/500/1000/1600	250/500/1000/2000	
Maximum payload (kg)	Horizontal	25/20/12	30/15/10	50/30/18	110/88/40/30	120/110/75/22 120/120/83/43
	Vertical	8/8/3.5	10/5/2.5	15/8/3	33/22/10/8	40/30/14/7 50/40/25/12
Stroke (mm)	50-800	50-800	50-1050	50-1250	50-1250	

Model Specification	RCH4	RCH5	RCH8	RCH12
Motor Output (W)	100	100	200/400	400
Repeatability (mm)	±0.005	±0.005	±0.005	±0.005
Ball Screw Lead (mm)	2/5/10	5/10/20	5/10/20	5/10/20/32
Maximum speed (mm/s)	100/250/500	250/500/1000	250/500/1000	250/500/1000/1600
Maximum payload (kg)	Horizontal	25/20/12	30/15/10	50/30/18 110/88/40/30
	Vertical	8/8/3.5	10/5/2.5	15/8/3 33/22/10/8
Stroke (mm)	50-850	50-850	50-1100	50-1300



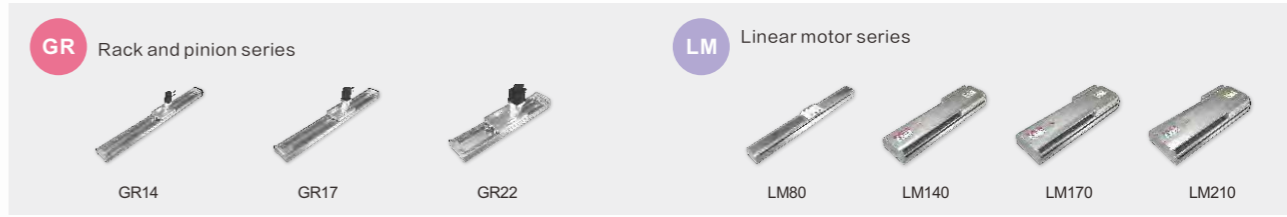
Model Specification	KCH14		KCH17		KCH22
Motor Output (W)	200	400	400	750	750
Repeatability (mm)	±0.005		±0.005		±0.005
Ball Screw Lead (mm)	5/10/20/32		5/10/20/40		5/10/25/32
Maximum speed (mm/s)	250/500/1000/1600		250/500/1000/2000		250/500/1250/1600
Maximum payload (kg)	Horizontal	95/75/35/15	110/88/40/30	120/110/75/22	120/120/83/43 150/150/105/60
	Vertical	27/18/7/-	33/22/10/8	40/30/14/7	50/40/25/12 55/45/20/20
Stroke (mm)	50-1050		50-1250		50-1500

Model Specification	RCB5	RCB8	RCB12	RCB15
Motor Output (W)	100	200	200	400
Repeatability (mm)	±0.04	±0.04	±0.04	±0.04
Ball Screw Lead (mm)	30/60	33/66	36/72	42/84
Maximum speed (mm/s)	1500/3000	1650/3300	1800/3600	2100/4200
Maximum payload (kg)	Horizontal	5	15	25 45
	Vertical	-	-	-
Stroke (mm)	50-850	50-1750	50-1750	50-1750



Model Specification	KCB14	KCB17	KCB22	
Motor Output (W)	200	400	750	
Repeatability (mm)	±0.04	±0.04	±0.04	
Ball Screw Lead (mm)	40	40	40	
Maximum speed (mm/s)	2000	2000	2000	
Maximum payload (kg)	Horizontal	25	45	85
	Vertical	-	-	-
Stroke (mm)	50-3050	50-3050	50-3400	

Model Specification	KKT50	KKT60	KKT86	
Motor Output (W)	100	100	100/200	
Repeatability (mm)	±0.01	±0.01	±0.01	
Ball Screw Lead (mm)	2	5/10	10/20	
Maximum speed (mm/s)	270	390/790	520/1050	
load	Dynamic load rating(N)	1813	3377/2107	6429/4175
	Rated static load(N)	2910	5625/3234	11387/6889
Lehgth (mm)	150/200/250/300	150/200/300/400/500/600	340/440/540/640/740/940	



Model Specification	GR14	GR17	GR22	
Motor Output (W)	400	750	750	
Repeatability (mm)	±0.04	±0.04	±0.04	
Gearbox Ratio	3:1/5:1/7:1/10:1	3:1/5:1/7:1/10:1	3:1/5:1/7:1/10:1	
Gear lead (mm)	33.32/19.99/14.28/10.00	48.87/29.32/20.94/14.66	48.87/29.32/20.94/14.66	
Maximum speed (mm/s)	1665/1000/715/500	2443/1466/1047/733	1633/966/700/486	
Maximum payload (kg)	Horizontal	30/40/64/88	31/63/83/102	43/105/128/150
	Vertical	8/10/18/22	9/18/25/33	12/20/33/45
Stroke (mm)	1000-3500	1000-3500	1000-3500	

Model Specification	LM80	LM140			LM170			LM210			
Standard thrust	82	81	152	218	122	230	330	161	302	435	
Repeatability (mm)	MG±0.005 /RG±0.003	MG±0.005/RG±0.003			MG±0.005/RG±0.003			MG±0.005/RG±0.003			
Maximum speed (mm/s)	4000	3000			3000			3000			
Thrust	Continuous thrust (N)	82	81	152	218	233	230	330	161	302	435
	Peak thrust (N)	256.7	265	534	791	417	840	1241	568	1146	1700
Stroke (mm)	100-1900	72-3816	82-3730	96-3648	72-5832	85-5746	96-5664	72-3816	82-3730	96-3648	

Lim-Tec[®]

Feb.25,2016 Lim-tec successfully landed on NEEQ with the code 836388, leading the new height of linear motion development in China.

Ever since 2005, Joint Venture Enterprise Lim-tec (Beijing) Transmission Equipment Co.,Ltd was set up by Limtec Group and Beijing Reloh International Trade Co., Ltd to introduce European most advanced linear motion technology and the concept of modular combination design, guide the new direction of development for domestic screw jack, electric actuator and slide industry.

Based in Beijing China, we have more than 10 offices distributed throughout the country to provide high-quality products, full range of technical support and prompt after-sales service at home and abroad.Up to now, there were more than 100000 sets of products successful used in automobile equipment, automation assembly, metallurgical industry,aerospace industry,port machinery and other industries.

Established automation assembly department in the year of 2008,Lim-tec has researched and developed six-DOF platform,servo pressure system, simulator and some other non-standard automation equipment.

With the gradual popularization of industry strategy 4.0 and the development of industry 5.0,green and sustainable products lead the tread in society.As the essential components supplier for industry automation robot,Lim-tec products will get considerable development.It's just a starting for Lim-tec second take-off on NEEQ,80 millions RMB have been re-invested to bring in advanced processing equipment and expand production capacity to more than 50 thousand sets per year,to build Lim-tec the world's most competitive and professional linear actuator/screw jack/servo actuator /electric slide manufacturing base.

