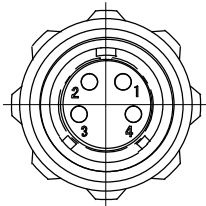
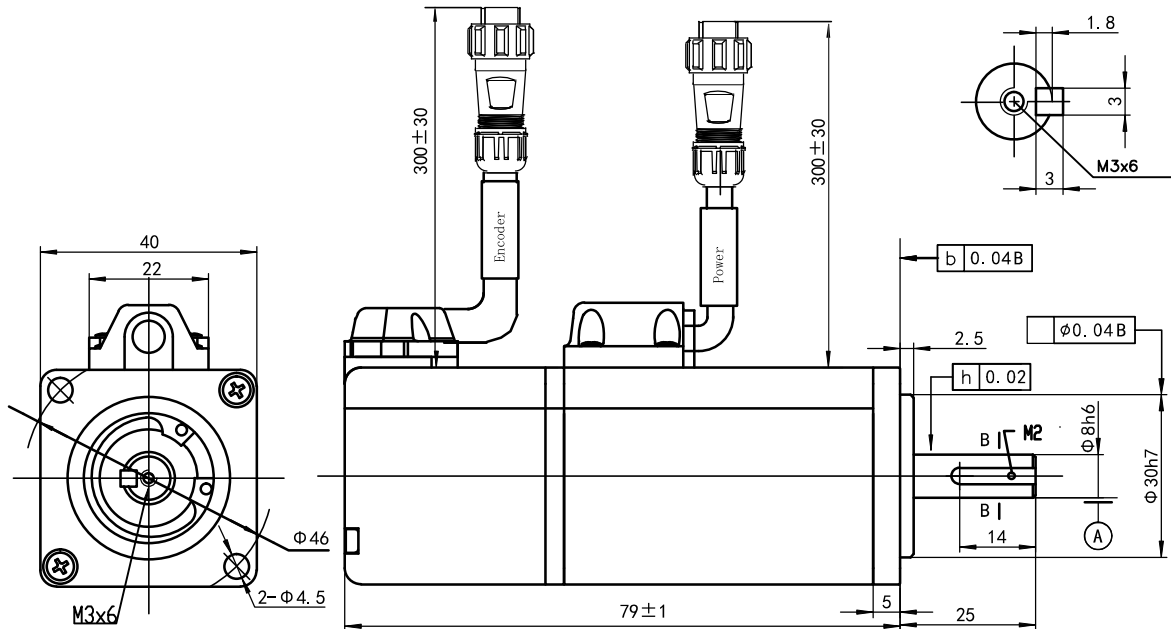
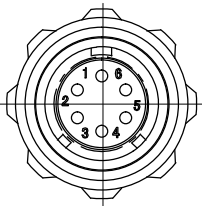


Rated Voltage (Vac)	200-220
Rated Power (w)	100
Rated Torque (N.m)	0.32
Peak Torque (N.m)	0.96
Rated Speed (rpm)	3000
Peak Speed (rpm)	6000
Rated Current (Amp)	1.1
Peak Current (Amp)	3.3
Torque Const (N.m/Amp)	0.289
Back EMF Const (V/krpm)	20.5
Resistance (Ω)	14.3
Inductance (mH)	14.8
Inertia ($\text{kg}\cdot\text{m}^2\cdot 10^{-4}$)	0.046
Poles	8
Encoder type	17bit single-turn
Protection level	IP54



Wiring details of Power cable connector				
Pos	1	2	3	4
Signal	U	W	V	PE
Color	blue	red	black	Yel/Gre



Wiring details of encoder cable connector							
Pos	1	2	3	4	5	6	7
Signal	shield	5V	0V	SD+	SD-	--	--
Color	PE	white	black	blue	purple	--	--

Connector Code Of Extension Cable Side			
Connector	Winding Connector	Encoder Connector	Brake Connector
Type	GM-1311/S-4B	GM-1311/S-6A	--

Connector Code Of Motor Side			
Connector	Winding Connector	Encoder Connector	Brake Connector
Type	GM-1310/P-4B	GM-1310/P-6A	--

Leadshine Technology Co., Ltd

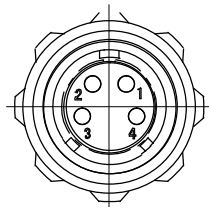
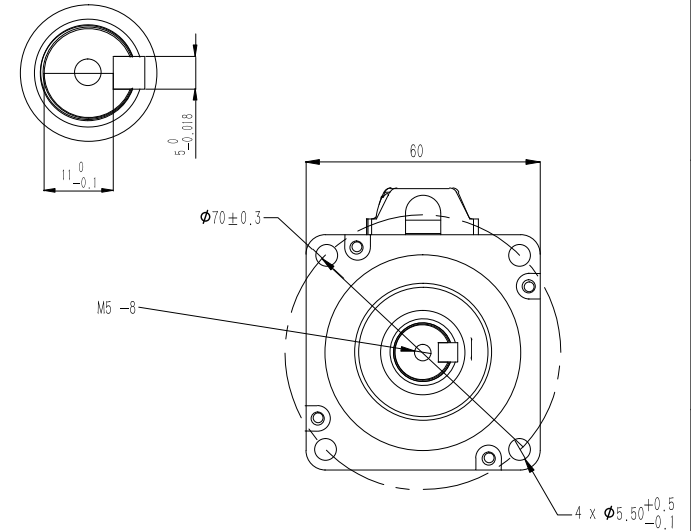
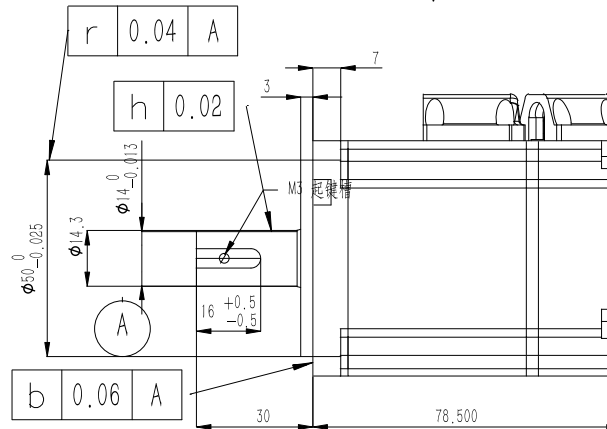
ELM0100FL40H-HH2

40mm, low inertia, 100w servo motor
17bit incremental encoder, no brake

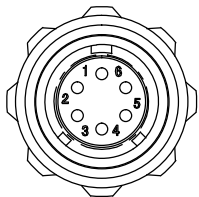
www.leadshine.com

Rated Voltage (Vac)	200-220
Rated Power (w)	200
Rated Torque (N.m)	0.64
Peak Torque (N.m)	1.92
Rated Speed (rpm)	3000
Peak Speed (rpm)	5000
Rated Current (Amp)	1.7
Peak Current (Amp)	5.1
Torque Const (N.m/Amp)	0.416
Back EMF Const (V/krpm)	26.3
Resistance (Ω)	6.7
Inductance (mH)	21.3
Inertia (kg*m ² *10 ⁻⁴)	0.2
Poles	10
Encoder type	17bit single-turn
Protection level	IP54
Weight (Kg)	1.01

Power Cable: 300 ± 30mm
Encoder Cable: 300 ± 30mm



Wiring details of Power cable connector				
Pos	1	2	3	4
Signal	U	W	V	PE
Color	blue	red	black	Yel/Gre



Wiring details of encoder cable connector							
Pos	1	2	3	4	5	6	7
Signal	PE	5V	0V	SD+	SD-	--	--
Color	shield	white	black	blue	purple	--	--

Connector Code Of Extension Cable Side			
Connector	Winding Connector	Encoder Connector	Brake Connector
Type	GM-1311/S-4B	GM-1311/S-6A	--

Connector Code Of Motor Side			
Connector	Winding Connector	Encoder Connector	Brake Connector
Type	GM-1310/P-4B	GM-1310/P-6A	--

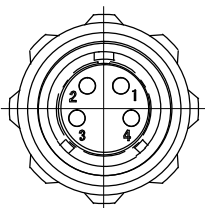
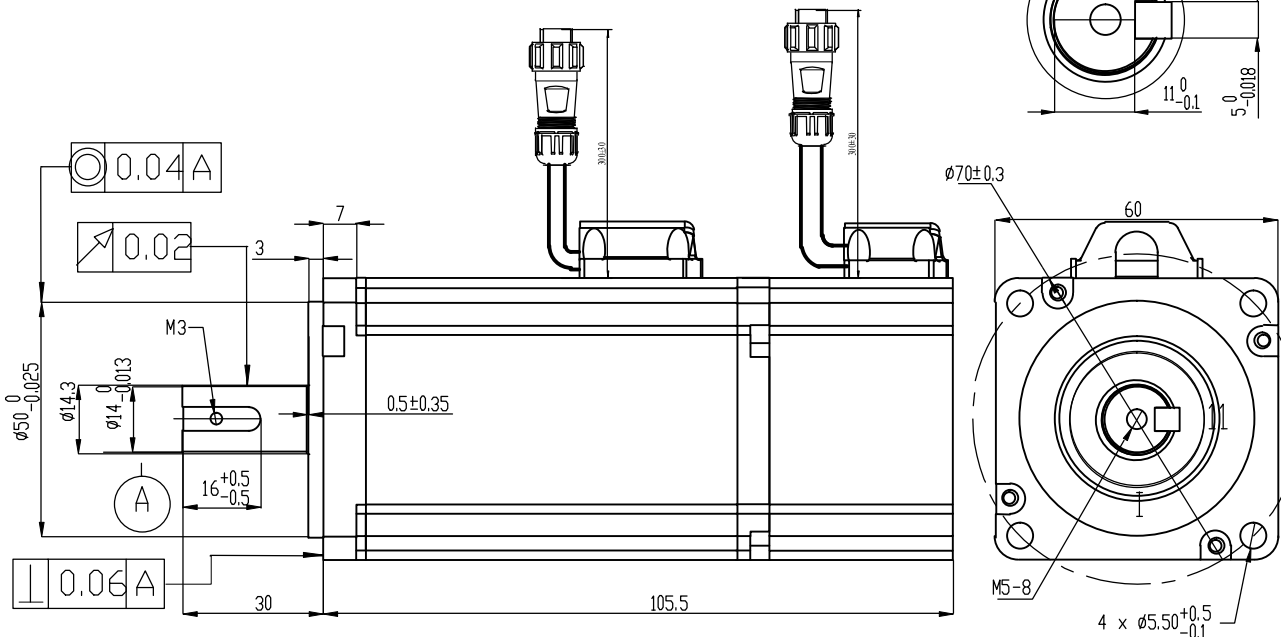
Leadshine Technology Co .Ltd

ELM0200FL60H-HH2 MS20

60mm, low inertia, 200w servo motor
17bit incremental encoder, no brake

2020.11.26

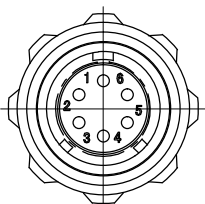
Rated Voltage (Vac)	200-220
Rated Power (w)	400
Rated Torque (N.m)	1.27
Peak Torque (N.m)	3.81
Rated Speed (rpm)	3000
Peak Speed (rpm)	5000
Rated Current (Amp)	2.8
Peak Current (Amp)	8.4
Torque Const (N.m/Amp)	0.477
Back EMF Const (V/krpm)	30.2
Resistance (Ω)	3.07
Inductance (mH)	11.5
Inertia (kg*m ² *10 ⁻⁴)	0.436
Poles	10
Encoder type	17bit single-turn
Protection level	IP54
Weight	1.42



Wiring details of Power cable connector				
Pos	1	2	3	4
Signal	U	W	V	PE
Color	blue	red	black	Yel/Gre

Connector Code Of Extension Cable Side			
Connector	Winding Connector	Encoder Connector	Brake Connector
Type	GM-1311/S-4B	GM-1311/S-6A	--

Connector Code Of Motor Side			
Connector	Winding Connector	Encoder Connector	Brake Connector
Type	GM-1310/P-4B	GM-1310/P-6A	--



Wiring details of encoder cable connector							
Pos	1	2	3	4	5	6	7
Signal	PE	5V	0V	SD+	SD-	--	--
Color	shield	white	black	blue	purple	--	--

Leadshine Technology Co .Ltd

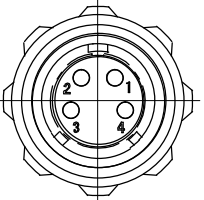
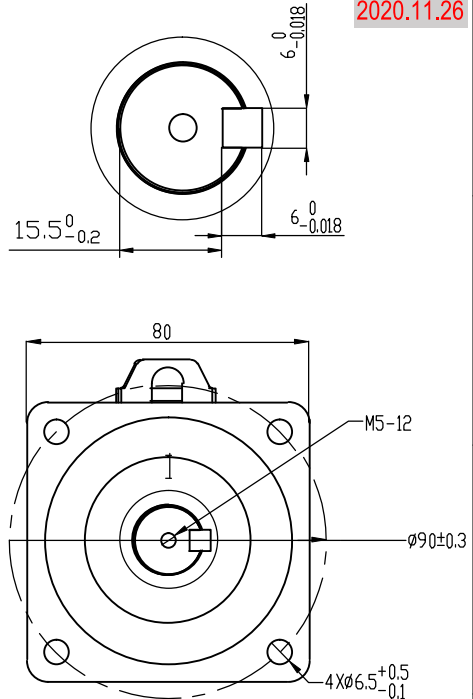
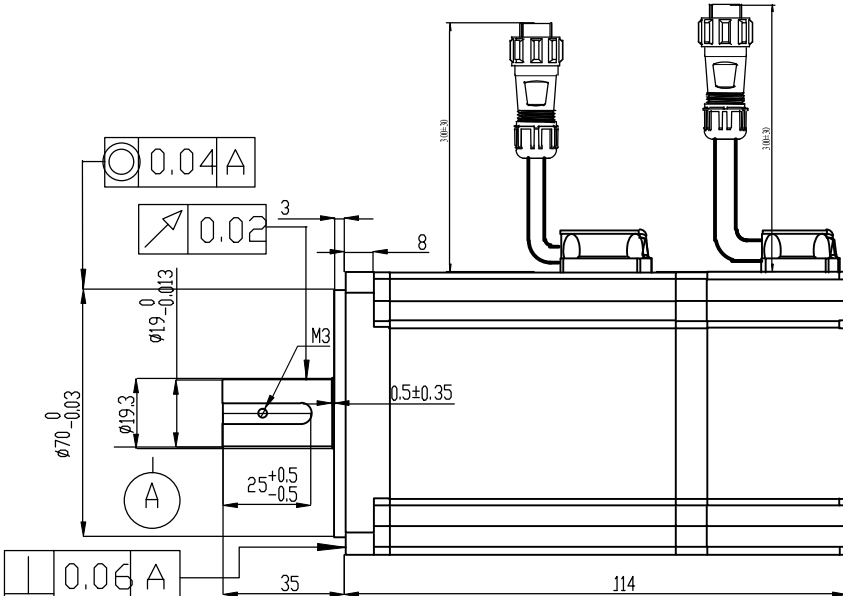
ELM0400FM60H-HH2 MS20

60mm, medium inertia, 400w servo motor
17bit incremental encoder, no brake

www.leadshine.com

2020.11.26

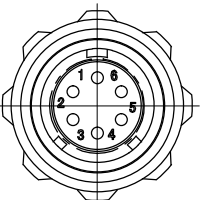
Rated Voltage (Vac)	200-220
Rated Power (w)	750
Rated Torque (N.m)	2.39
Peak Torque (N.m)	7.17
Rated Speed (rpm)	3000
Peak Speed (rpm)	5000
Rated Current (Amp)	4.9
Peak Current (Amp)	14.7
Torque Const (N.m/Amp)	0.488
Back EMF Const (V/krpm)	33.5
Resistance (Ω)	1.08
Inductance (mH)	7.7
Inertia (kg*m ² *10 ⁻⁴)	1.43
Poles	10
Encoder type	17bit single-turn
Protection level	IP54
Weight	2.57



Wiring details of Power cable connector				
Pos	1	2	3	4
Signal	U	W	V	PE
Color	blue	red	black	Yel/Gre

Connector Code Of Extension Cable Side			
Connector	Winding Connector	Encoder Connector	Brake Connector
Type	GM-1311/S-4B	GM-1311/S-6A	--

Connector Code Of Motor Side			
Connector	Winding Connector	Encoder Connector	Brake Connector
Type	GM-1310/P-4B	GM-1310/P-6A	--



Wiring details of encoder cable connector							
Pos	1	2	3	4	5	6	7
Signal	PE	5V	0V	SD+	SD-	--	--
Color	shield	white	black	blue	purple	--	--

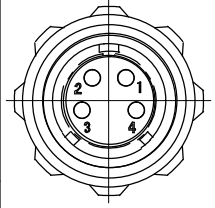
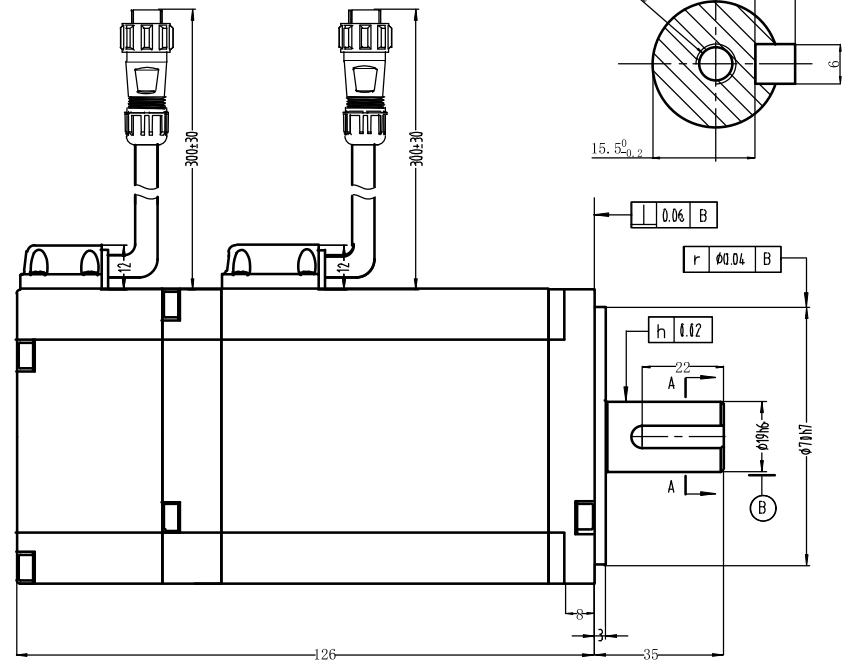
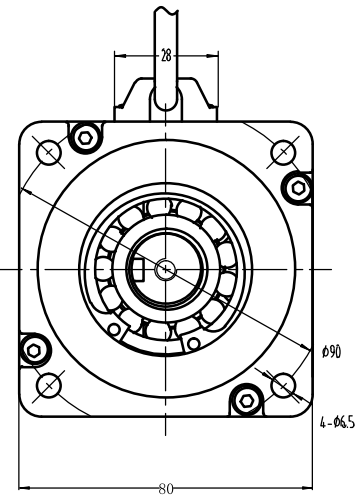
Leadshine Technology Co .Ltd

ELM0750FM80H-HH2 MS20

80mm, medium inertia, 750w servo motor
17bit incremental encoder, no brake

2020.11.26

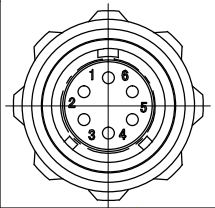
Rated Voltage (Vac)	200-220
Rated Power (w)	1000
Rated Torque (N.m)	3.18
Peak Torque (N.m)	9.52
Rated Speed (rpm)	3000
Peak Speed (rpm)	5000
Rated Current (Amp)	5.7
Peak Current (Amp)	17.1
Torque Const (N.m/Amp)	0.57
Back EMF Const (V/krpm)	36.2
Resistance (Ω)	1.07
Inductance (mH)	6.9
Inertia (kg*m ² *10 ⁻⁴)	1.63
Poles	10
Encoder type	17bit single-turn
Protection level	IP54
Weight	2.83



Wiring details of Power cable connector				
Pos	1	2	3	4
Signal	U	W	V	PE
Color	blue	red	black	Yel/Gre

Connector Code Of Extension Cable Side			
Connector	Winding Connector	Encoder Connector	Brake Connector
Type	GM-1311/S-4B	GM-1311/S-6A	--

Connector Code Of Motor Side			
Connector	Winding Connector	Encoder Connector	Brake Connector
Type	GM-1310/P-4B	GM-1310/P-6A	--



Wiring details of encoder cable connector							
Pos	1	2	3	4	5	6	7
Signal	PE	5V	0V	SD+	SD-	--	--
Color	shield	white	black	blue	purple	--	--

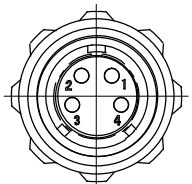
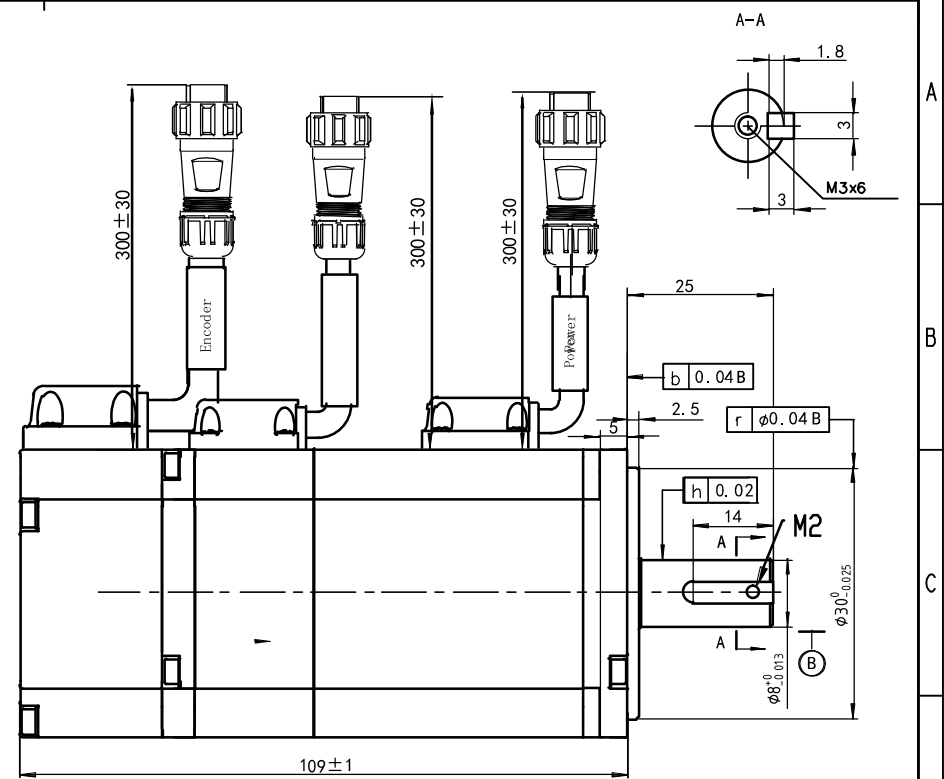
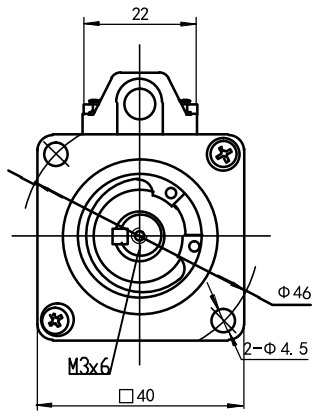
Leadshine Technology Co .Ltd

ELM1000FM80H-HH2 MS20

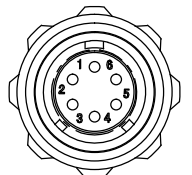
80mm, medium inertia, 1000w servo motor
17bit incremental encoder, no brake

www.leadshine.com

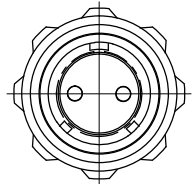
Rated Voltage (Vac)	200-220
Rated Power (w)	100
Rated Torque (N.m)	0.32
Peak Torque (N.m)	0.96
Rated Speed (rpm)	3000
Peak Speed (rpm)	6000
Rated Current (Amp)	1.1
Peak Current (Amp)	3.3
Torque Const (N.m/Amp)	0.289
Back EMF Const (V/krpm)	20.5
Resistance (Ω)	14.3
Inductance (mH)	14.8
Inertia (kg*m ² *10 ⁻⁴)	0.046
Poles	8
Encoder type	17bit single-turn
Protection level	IP54



Wiring details of Power cable connector				
Pos	1	2	3	4
Signal	U	W	V	PE
Color	blue	red	black	Yel/Gre



Wiring details of encoder cable connector							
Pos	1	2	3	4	5	6	7
Signal	PE	white	black	blue	purple	--	--
Color	shield	5V	0V	SD+	SD-	--	--



Wiring details of Power cable connector		
Pos	1	2
Signal	24V	0V
Color	red	black

Connector Code Of Extension Cable Side			
Connector	Winding Connector	Encoder Connector	Brake Connector
Type	GM-1311/S-4B	GM-1311/S-6A	GM-1311/S-2

Connector Code Of Motor Side			
Connector	Winding Connector	Encoder Connector	Brake Connector
Type	GM-1310/P-4B	GM-1310/P-6A	GM-1310/P-2

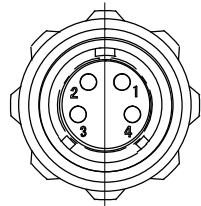
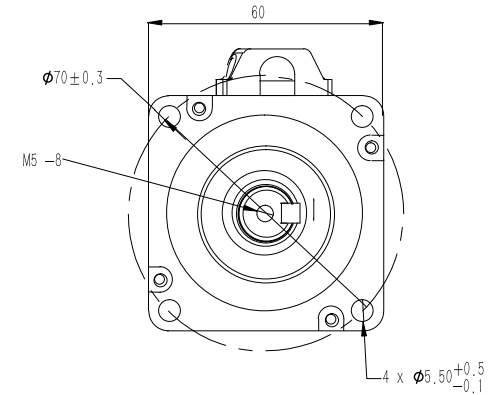
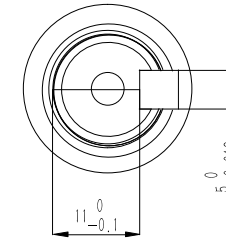
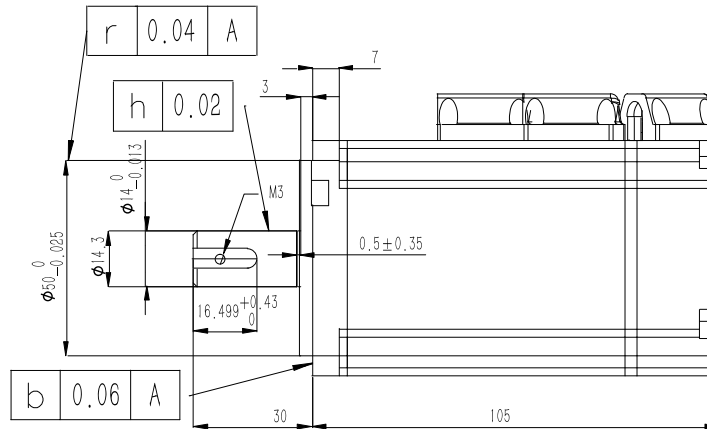
Leadshine Technology Co .Ltd

ELM0100FL40G-HH2

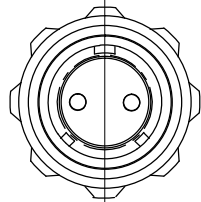
40mm, low inertia, 100w servo motor
17bit incremental encoder, brake

Rated Voltage (Vac)	200-220
Rated Power (w)	200
Rated Torque (N.m)	0.64
Peak Torque (N.m)	1.92
Rated Speed (rpm)	3000
Peak Speed (rpm)	5000
Rated Current (Amp)	1.7
Peak Current (Amp)	5.1
Torque Const (N.m/Amp)	0.416
Back EMF Const (V/krpm)	26.3
Resistance (Ω)	6.7
Inductance (mH)	21.3
Inertia (kg*m ² *10 ⁻⁴)	0.22
Poles	10
Encoder type	17bit single-turn
Protection level	IP54
Weight (Kg)	1.38

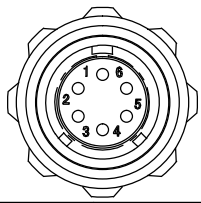
Power Cable: 300 ± 30mm
Encoder Cable: 300 ± 30mm



Wiring details of Power cable connector				
Pos	1	2	3	4
Signal	U	W	V	PE
Color	blue	red	black	Yel/Gre



Wiring details of Power cable connector		
Pos	1	2
Signal	24V	0V
Color	red	black



Wiring details of encoder cable connector							
Pos	1	2	3	4	5	6	7
Signal	PE	5V	0V	SD+	SD-	--	--
Color	shield	white	black	blue	purple	--	--

Connector Code Of Extension Cable Side			
Connector	Winding Connector	Encoder Connector	Brake Connector
Type	GM-1311/S-4B	GM-1311/S-6A	GM-1311/S-2

Connector Code Of Motor Side			
Connector	Winding Connector	Encoder Connector	Brake Connector
Type	GM-1310/P-4B	GM-1310/P-6A	GM-1310/P-2

Leadshine Technology Co .Ltd

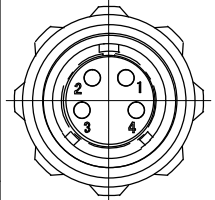
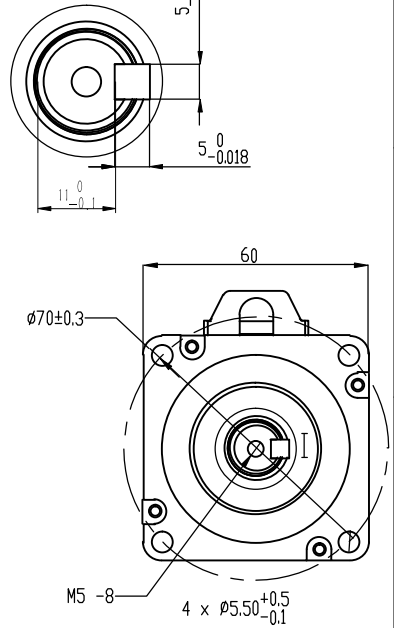
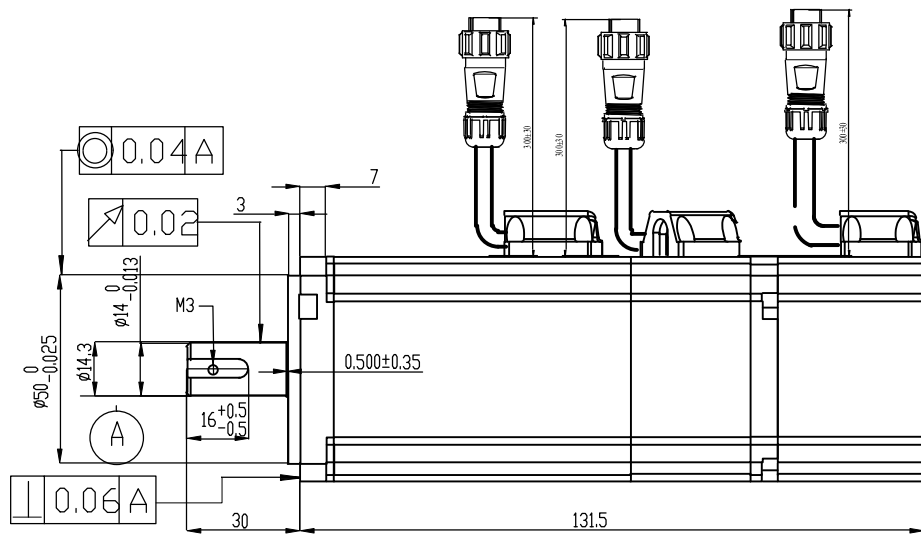
ELM0200FL60G-HH2 MS20

60mm, low inertia, 200w servo motor
17bit incremental encoder, brake

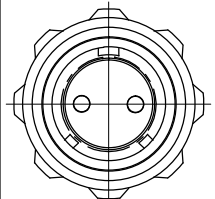
www.leadshine.com

2020.11.26

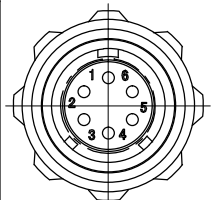
Rated Voltage (Vac)	200-220
Rated Power (w)	400
Rated Torque (N.m)	1.27
Peak Torque (N.m)	3.81
Rated Speed (rpm)	3000
Peak Speed (rpm)	5000
Rated Current (Amp)	2.8
Peak Current (Amp)	8.4
Torque Const (N.m/Amp)	0.477
Back EMF Const (V/krpm)	30.2
Resistance (Ω)	3.07
Inductance (mH)	11.5
Inertia (kg*m ² *10 ⁻⁴)	0.456
Poles	10
Encoder type	17bit single-turn
Protection level	IP54
Weight	1.71



Wiring details of Power cable connector				
Pos	1	2	3	4
Signal	U	W	V	PE
Color	blue	red	black	Yel/Gre



Wiring details of Power cable connector		
Pos	1	2
Signal	24V	0V
Color	brown	blue



Wiring details of encoder cable connector							
Pos	1	2	3	4	5	6	7
Signal	PE	5V	0V	SD+	SD-	--	--
Color	shield	white	black	blue	purple	--	--

Connector Code Of Extension Cable Side			
Connector	Winding Connector	Encoder Connector	Brake Connector
Type	GM-1311/S-4B	GM-1311/S-6A	GM-1311/S-2

Connector Code Of Motor Side			
Connector	Winding Connector	Encoder Connector	Brake Connector
Type	GM-1310/P-4B	GM-1310/P-6A	GM-1310/P-2

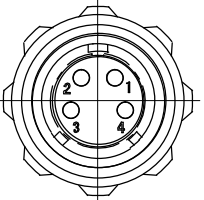
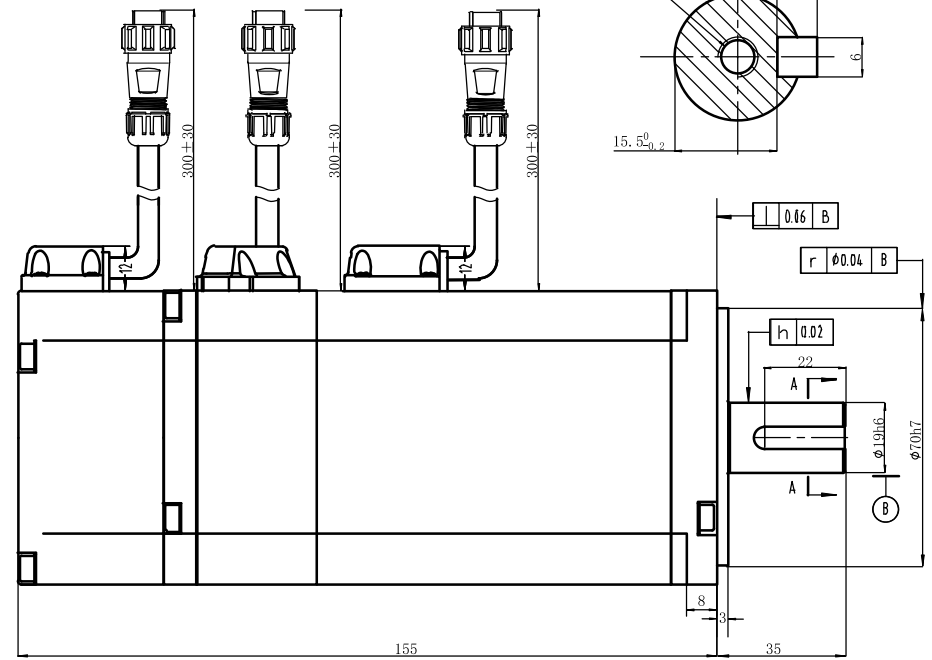
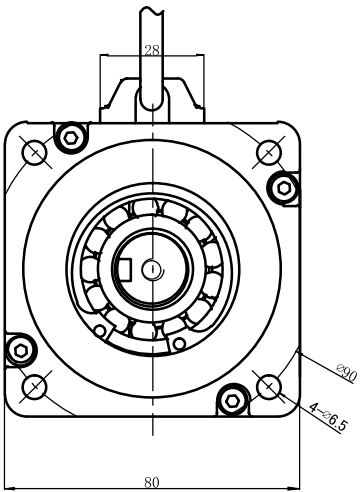
Leadshine Technology Co .Ltd

ELM0400FM60G-HH2 MS20

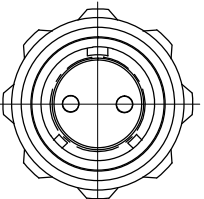
60mm, medium inertia, 400w servo motor
17bit incremental encoder, brake

www.leadshine.com

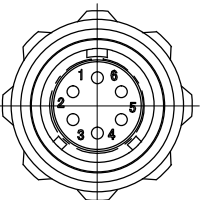
Rated Voltage (Vac)	200-220
Rated Power (w)	1000
Rated Torque (N.m)	3.18
Peak Torque (N.m)	9.52
Rated Speed (rpm)	3000
Peak Speed (rpm)	5000
Rated Current (Amp)	5.7
Peak Current (Amp)	17.1
Torque Const (N.m/Amp)	0.57
Back EMF Const (V/krpm)	36.2
Resistance (Ω)	1.07
Inductance (mH)	6.9
Inertia (kg*m ² *10 ⁻⁴)	1.99
Poles	10
Encoder type	17bit single-turn
Protection level	IP54
Weight	3.24



Wiring details of Power cable connector				
Pos	1	2	3	4
Signal	U	W	V	PE
Color	blue	red	black	Yel/Gre



Wiring details of Power cable connector		
Pos	1	2
Signal	24V	0V
Color	brown	blue



Wiring details of encoder cable connector							
Pos	1	2	3	4	5	6	7
Signal	PE	5V	0V	SD+	SD-	--	--
Color	shield	white	black	blue	purple	--	--

Connector Code Of Extension Cable Side			
Connector	Winding Connector	Encoder Connector	Brake Connector
Type	GM-1311/S-4B	GM-1311/S-6A	GM-1311/S-2

Connector Code Of Motor Side			
Connector	Winding Connector	Encoder Connector	Brake Connector
Type	GM-1310/P-4B	GM-1310/P-6A	GM-1310/P-2

Leadshine Technology Co .Ltd

ELM1000FM80G-HH2 MS20

80mm, medium inertia, 1000w servo motor
17bit incremental encoder, brake