



AC Series Motors

ELM2 Series

Feature:

- Power rating: 1.0 kW - 2,5 kW
- Voltage: 220VAC/400VAC
- Encoder: 23-bit encoder
- Optional accessory: brake
- Frame size: 100mm,130mm.

o **ELM2 Series**

23-Bit optical encoder

ELM2 Series - 100&130mm

- o Frame size:100mm/130mm
- o Power rating:1000W/1500W/2000W/2500W



Cable Type	Diagram	Pin																							
Motor power	<p>CABLE-RZ*M*-H(V2.0)</p>	<table border="1"> <tr><td>1</td><td>Yellow</td><td>PE</td></tr> <tr><td>2</td><td>Red</td><td>U</td></tr> <tr><td>3</td><td>Green</td><td>V</td></tr> <tr><td>4</td><td>Black</td><td>W</td></tr> </table>	1	Yellow	PE	2	Red	U	3	Green	V	4	Black	W											
1	Yellow	PE																							
2	Red	U																							
3	Green	V																							
4	Black	W																							
Motor brake	<p>CABLE-SC*M*-H(V3.0)</p>	<table border="1"> <tr><td>1</td><td>Black</td><td>0V</td></tr> <tr><td>2</td><td>Red</td><td>24V</td></tr> </table>	1	Black	0V	2	Red	24V																	
1	Black	0V																							
2	Red	24V																							
Motor encoder	<p>CABLE-7BM*M*-HZ(V3.0)</p>																								
	<p>CABLE-7BMA*M*-HZ(V3.0)</p>	<table border="1"> <tr><td>A</td><td>Terminal</td><td>B</td></tr> <tr><td>1</td><td>PE</td><td>-</td></tr> <tr><td>2</td><td>5V</td><td>1</td></tr> <tr><td>3</td><td>0V</td><td>2</td></tr> <tr><td>4</td><td>SD+</td><td>5</td></tr> <tr><td>5</td><td>SD-</td><td>6</td></tr> <tr><td>6*</td><td>BAT+</td><td>-</td></tr> <tr><td>7*</td><td>BAT-</td><td>-</td></tr> </table> <p>*Terminal 6 & 7 is to be connected to battery kit for absolute encoder</p>	A	Terminal	B	1	PE	-	2	5V	1	3	0V	2	4	SD+	5	5	SD-	6	6*	BAT+	-	7*	BAT-
A	Terminal	B																							
1	PE	-																							
2	5V	1																							
3	0V	2																							
4	SD+	5																							
5	SD-	6																							
6*	BAT+	-																							
7*	BAT-	-																							



Part Numbers

ELM2 H - 0850 L D 130 E T - H

(1) (2) (3) (4) (5) (6) (7) (8) (9)

(1) Series Num

ELM1	ELM1 Series servo motor
ELM2	ELM2 Series servo motor

(2) Inertia Ratio

L	Low
M	Medium
H	High

(3) Rated Output Power

0030	30W	2000	2000W
0050	50W	2900	2900W
0100	100W	3000	3000W
0200	200W	3800	3800W
0400	400W	4000	4000W
0750	750W	4400	4400W
0850	850W	5000	5000W
1300	1300W	7000	7000W
1800	1800W	7500	7500W
1500	1500W		

(4) Encoder Type

L	23-bit optical multi-turn
M	23-bit magnetic multi-turn
N	26-bit optical multi-turn
F	17-bit magnetic
D	17-bit optical

(5) Rated Speed

A	3000rpm	B	2500rpm
C	2000rpm	D	1500rpm
E	1000rpm		

(9) Connect type

Blank	Direct connector
H	Aviation connector-H

(8) Voltage

Blank	220VAC
T	400VAC

(7) Motor Type

E	With brake, oil seal
F	No brake, oil seal

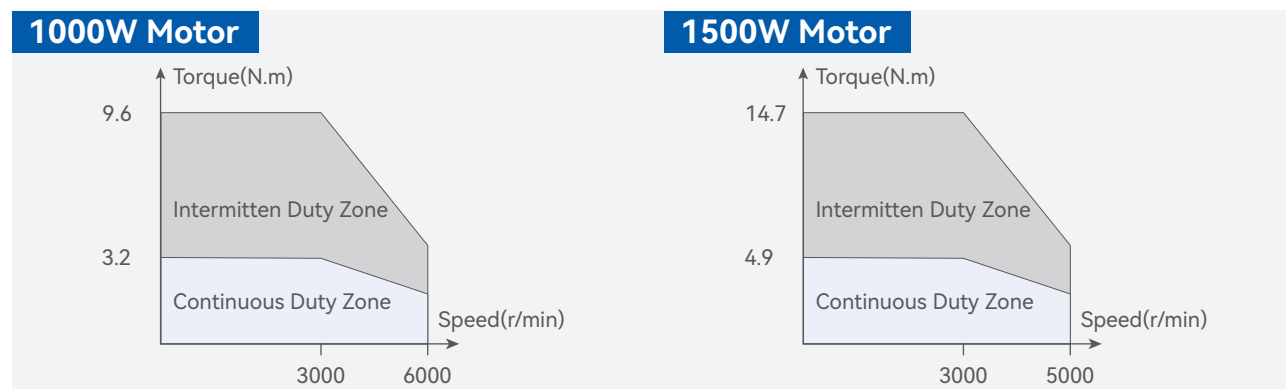
(6) Frame Size

25	25mm
40	40mm
60	60mm
80	80mm
100	100mm
130	130mm
180	180mm

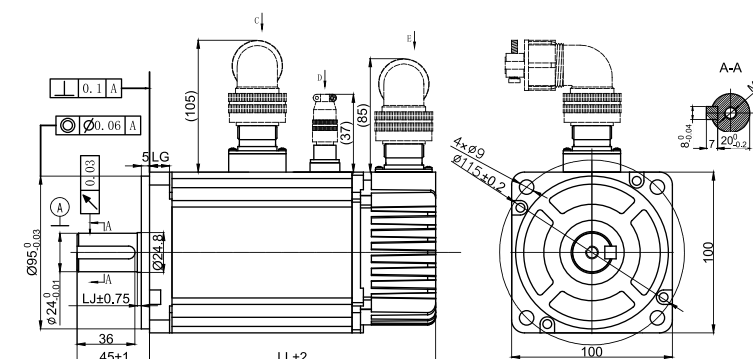
100mm Frame size & 1000W~1500W

Type Name	Frame Size (mm)	Brake	Voltage (VAC)	Power (W)	Speed (rpm)		Torque (Nm)		Current (Arms)		Permissible load to shaft (N)		Encoder	Inertia (kgm ² *10 ⁻⁴)	Weight (kg)	Motor Length (mm)
					Rated	Max	Rated	Max	Rated	Max	Radial	Axial				
ELM2L-1000LA100E-H	100	√	220	1000	3000	6000	3.2	9.6	6.5	19.5	490	98	23-bit optical encoder	2.63	5.9	194
ELM2L-1000LA100F-H		x														
ELM2L-1500LA100E-H		√		1500	5000	4.9	14.7	8	25.5							
ELM2L-1500LA100F-H		x														

Speed-Torque characteristics



Dimensions



Motor model LL

ELM2L-1000LA100E-H	194
ELM2L-1000LA100F-H	154
ELM2L-1500LA100E-H	218
ELM2L-1500LA100F-H	178



130mm Frame size & 1000W~2000W

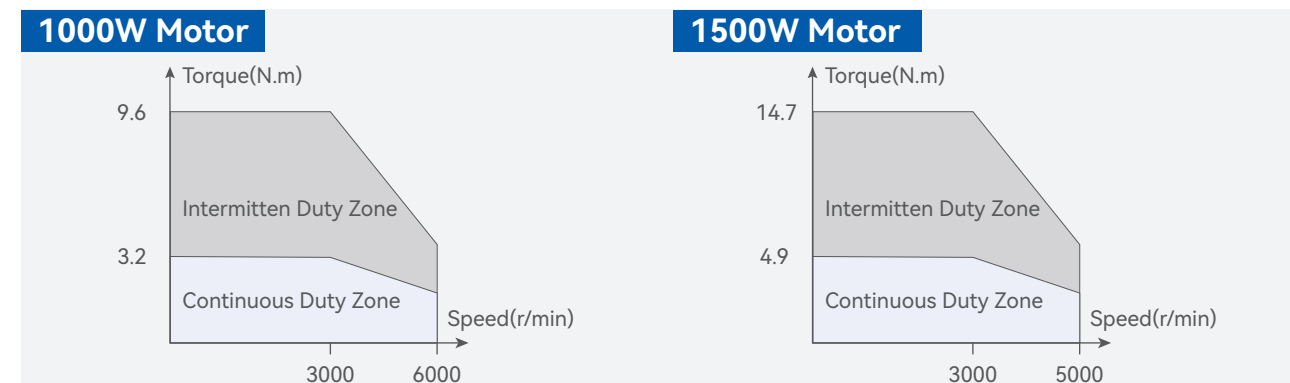
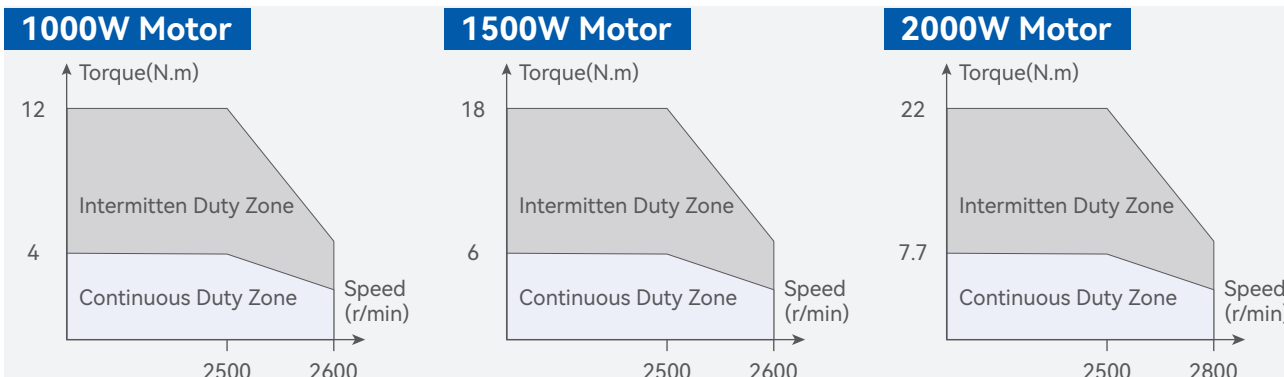
100mm Frame size & 1000W~2500W

Type Name	Frame Size (mm)	Brake	Voltage (VAC)	Power (W)	Speed (rpm)		Torque (Nm)		Current (Arms)		Permissible load to shaft (N)		Encoder	Inertia (kgm ² *10 ⁻⁴)	Weight (kg)	Motor Length (mm)
					Rated	Max	Rated	Max	Rated	Max	Radial	Axial				
					ELM2M-1000LB130E-H	□ 130	√	1000	1000	2500	2600	4				
ELM2M-1000LB130F-H	×															
ELM2M-1500LB130E-H	□ 131	√	220	1500	2500	2800	6	18	6	18	490	196	23-bit optical encoder	12.6	9.5	236
ELM2M-1500LB130F-H		×														
ELM2M-2000LB130E-H	□ 131	√	2000	2000	2500	2800	7.7	22	7.5	22	490	196	23-bit optical encoder	16.8	11	270
ELM2M-2000LB130F-H		×														

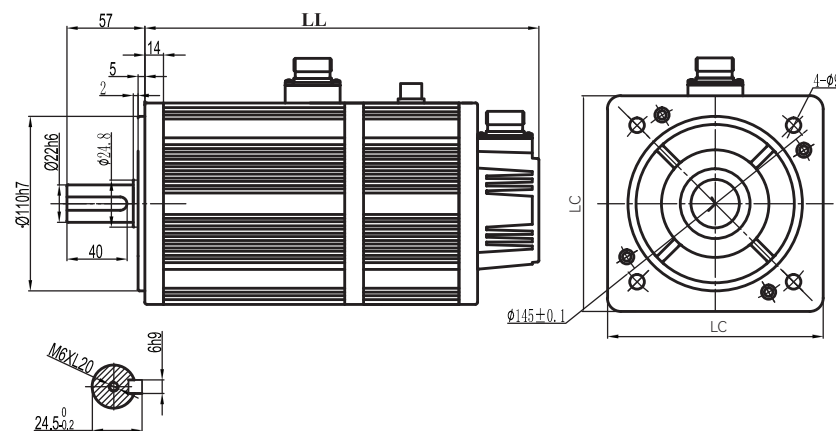
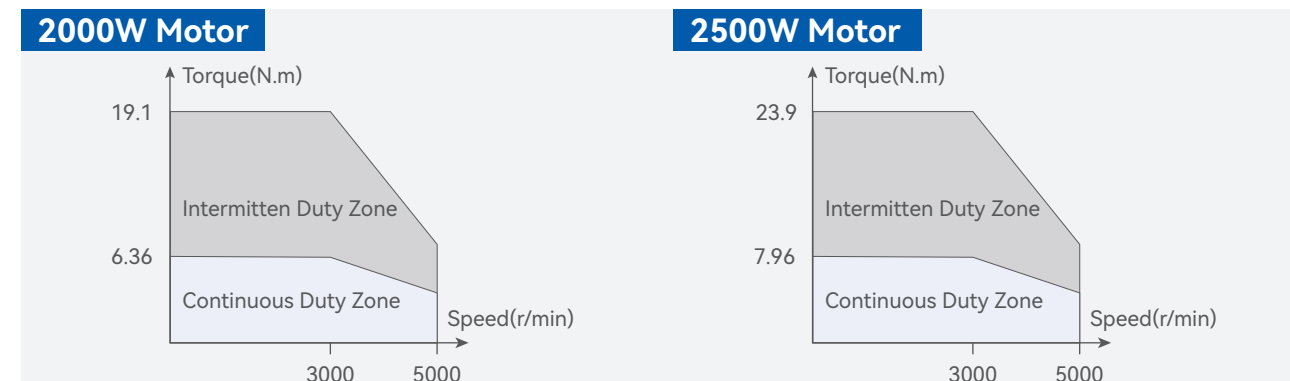
Type Name	Frame Size (mm)	Brake	Voltage (VAC)	Power (W)	Speed (rpm)		Torque (Nm)		Current (Arms)		Permissible load to shaft (N)		Encoder	Inertia (kgm ² *10 ⁻⁴)	Weight (kg)	Motor Length (mm)
					Rated	Max	Rated	Max	Rated	Max	Radial	Axial				
					ELM2L-1000LA100ET-H	□ 100	√	400	1000	3000	6000	3.2				
ELM2L-1000LA100FT-H	×															
ELM2L-1500LA100ET-H	□ 100	√	400	1500	3000	5000	4.9	14.7	4.5	13.5	490	23-bit optical encoder	3.803	7.1	218	
ELM2L-1500LA100FT-H		×														
ELM2L-2000LA100ET-H	□ 100	√	400	2000	3000	5000	6.36	19.1	6.5	19.5	490	23-bit optical encoder	3.55	7.86	259	
ELM2L-2000LA100FT-H		×														
ELM2L-2500LA100ET-H	□ 100	√	2500	2500	3000	5000	7.96	23.9	7.6	22.8	98	23-bit optical encoder	4.16	9.26	285	
ELM2L-2500LA100FT-H		×														

Speed-Torque characteristics

Speed-Torque characteristics

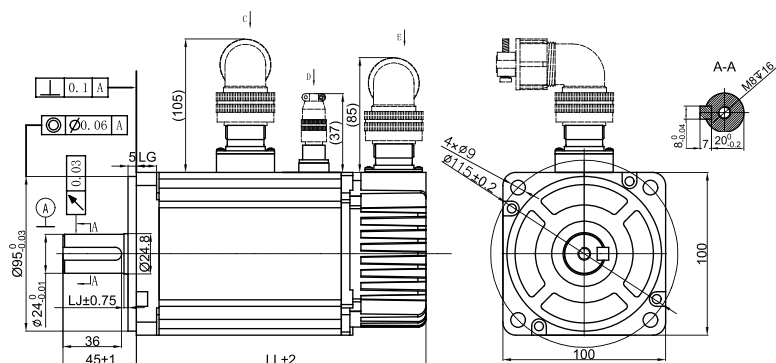


Dimensions



Motor model	LL	LC
ELM2M-1000LB130E-H	223	130
ELM2M-1000LB130F-H	166	
ELM2M-1500LB130E-H	236	131
ELM2M-1500LB130F-H	180	
ELM2M-2000LB130E-H	270	
ELM2M-2000LB130F-H	192	

Dimensions



Motor model	LL	LG	LJ
ELM2L-1000LA100ET-H	194	12	2.5
ELM2L-1000LA100FT-H	154		
ELM2L-1500LA100ET-H	218		
ELM2L-1500LA100FT-H	178	10	2.0
ELM2L-2000LA100ET-H	259		
ELM2L-2000LA100FT-H	219		
ELM2L-2500LA100ET-H	285		
ELM2L-2500LA100FT-H	245		

Typical configuration examples

EL8 Series

Frame Size (mm)	Rated Power (W)	Motor Model	Matching Drive	Motor Length (mm)	Rated Torque (Nm)	Rated/Max Speed(rpm)	Rated Currnt (Arms)	Inertia (kgm2*10-4)	Motor Cable	Encoder cable	Brake Cable	Turning Cable
40	50W (220V)	ELM2H-0050LA40F	EL8-RS400F EL8-EC400F	56.7	0.16	3000/5000	0.93	0.0355	CABLE-RZH*M*-114-TS- (R) 【without brake】 CABLE-RZSH*M*-114-TS- (R) 【with brake】 (Add "R" after the model for back facing motor wiring)	CABLE-BMH*M*-114-TS- (R) 【Incremental】 CABLE-BMH*M*-124-TS- (R) 【Absolute】 +ER14505 BOX-G (Battery Kit) (Add "R" after the model for back facing motor wiring)	If you need brake cable, please select power cable with brake in the power cable column.	CABLE-TYPEC2M0
		ELM2H-0050LA40E		84				0.0456				
	100W (220V)	ELM2H-0100LA40F		67.7	0.32	3000/5000	0.92	0.0620				
		ELM2H-0100LA40E		95				0.0721				
60	200W (220V)	ELM2H-0200LA60F		71.6	0.64	3000/5000	1.5	0.29				
		ELM2H-0200LA60E		100.9				0.31				
	400W (220V)	ELM2H-0400LA60F		88.8	1.27	3000/5000	2.1	0.56				
		ELM2H-0400LA60E		118.1				0.58				
80	750W (220V)	ELM2H-0750LA80F	90.9	2.39	3000/5000	4.1	1.5					
		ELM2H-0750LA80E	121.9				1.65					
	1000W (220V)	ELM2H-1000LA80F	103.9	3.18	3000/5000	5.7	2.03					
		ELM2H-1000LA80E	134.9				2.13					
130	850W (220V)	ELM2H-0850LD130F-H	EL8-RS1000F EL8-EC1000F	126	5.39	1500/4500	-	12.5	CABLE-RZH*M*-135-TS 【without brake】 CABLE-RZSH*M*-135-TS 【with brake】	CABLE-BMH*M*-115-TS 【Incremental】 CABLE-BMH*M*-125-TS 【Absolute】 +ER14505 BOX-G (Battery Kit)	If you need brake cable, please select power cable with brake in the power cable column.	CABLE-TYPEC2M0
		ELM2H-0850LD130E-H		153.5				14.8				
	1300W (220V)	ELM2H-1300LD130F-H		144	8.43	1500/4500	-	18.7				
		ELM2H-1300LD130E-H		171.5				21				
	1800W (220V)	ELM2H-1800LD130F-H		162	11.5	1500/4500	-	23.8				
		ELM2H-1800LD130E-H		189.5				26.1				

EL7 Series

Frame Size (mm)	Rated Power (W)	Motor Model	Matching Drive	Motor Length (mm)	Rated Torque (Nm)	Rated/Max Speed(rpm)	Inertia (kgm ² *10 ⁻⁴)	Motor Cable	Encoder cable	Brake Cable
40	50W (220V)	ELM2H-0050LA40F	EL7-RS400P EL7-EC400F EL7-EC400N EL7-PN400F	56.7	0.16	3000/5000	0.036	CABLE-RZH*M*-114-TS- (R) 【without brake】 CABLE-RZSH*M*-114-TS- (R) 【with brake】 (Add "R" after the model for back facing motor wiring)	CABLE-BMH*M*-114-TS- (R) 【Incremental】 CABLE-BMH*M*-124-TS- (R) 【Absolute】 +ER14505 BOX-G (Battery Kit) (Add "R" after the model for back facing motor wiring)	If you need brake cable, please select power cable with brake in the power cable column.
		ELM2H-0050LA40E		84			0.046			
	100W (220V)	ELM2H-0100LA40F		67.7	0.32	3000/5000	0.062			
		ELM2H-0100LA40E		95			0.072			
60	200W (220V)	ELM2H-0200LA60F	EL7-RS750P EL7-EC750F EL7-EC750N EL7-PN750F	71.6	0.64	3000/5000	0.28	CABLE-RZH*M*-114-TS- (R) 【without brake】 CABLE-RZSH*M*-114-TS- (R) 【with brake】 (Add "R" after the model for back facing motor wiring)	CABLE-BMH*M*-114-TS- (R) 【Incremental】 CABLE-BMH*M*-124-TS- (R) 【Absolute】 +ER14505 BOX-G (Battery Kit) (Add "R" after the model for back facing motor wiring)	If you need brake cable, please select power cable with brake in the power cable column.
		ELM2H-0200LA60E		101.1			0.3			
	400W (220V)	ELM2H-0400LA60F		88.8	1.27	3000/5000	0.6			
		ELM2H-0400LA60E		118.1			0.62			
80	750W (220V)	ELM2H-0750LA80F	EL7-RS1000P EL7-EC1000F EL7-EC1000N EL7-PN1000F	90.9	2.39	3000/5000	1.8	CABLE-RZH*M*-114-TS- (R) 【without brake】 CABLE-RZSH*M*-114-TS- (R) 【with brake】 (Add "R" after the model for back facing motor wiring)	CABLE-BMH*M*-114-TS- (R) 【Incremental】 CABLE-BMH*M*-124-TS- (R) 【Absolute】 +ER14505 BOX-G (Battery Kit) (Add "R" after the model for back facing motor wiring)	If you need brake cable, please select power cable with brake in the power cable column.
		ELM2H-0750LA80E		121.9			1.95			
	1000W (220V)	ELM2H-1000LA80F		103.9	3.2	3000/5000	2			
		ELM2H-1000LA80E		134.9			2.15			
	750W (380V)	ELM2H-0750LA80FT		90.9	2.39	3000/5000	2.12			
		ELM2H-0750LA80ET		121.9			2.7			
100	1000W (220V)	ELM2L-1000LA100F-H	EL7-RS1000P EL7-EC1000F EL7-EC1000N EL7-PN1000F	154	3.2	3000/6000	2.43	CABLE-RZ*M*-H (V1.1) 【Fixed cable】 CABLE-RZ*M*-H (V2.0) 【Flexible cable】 CABLE-7BM*M*-HZ (V3.0) 【Incremental】 CABLE-7BMA*M*-HZ (V3.0) 【Absolute】	CABLE-SC*M*-H (V3.0)	
		ELM2L-1000LA100E-H		194			2.63			
	1500W (220V)	ELM2L-1500LA100F-H		178	4.9	3000/5000	3.503			
		ELM2L-1500LA100E-H		218			3.803			

Frame Size (mm)	Rated Power (W)	Motor Model	Matching Drive	Motor Length (mm)	Rated Torque (Nm)	Rated/Max Speed(rpm)	Inertia (kgm ² *10 ⁻⁴)	Motor Cable	Encoder cable	Brake Cable
130	850W (220V)	ELM2H-0850LD130F-H	EL7-RS1000P EL7-EC1000F EL7-EC1000N EL7-PN1000F	126	5.39	1500/4500	12.5	CABLE-RZH*M*-114-TS- (R) 【without brake】 CABLE-RZSH*M*-114-TS- (R) 【with brake】 (Add "R" after the model for back facing motor wiring)	CABLE-BMH*M*-115-TS 【Incremental】 CABLE-BMH*M*-125-TS 【Absolute】 +ER14505 BOX-G (Battery Kit)	If you need brake cable, please select power cable with brake in the power cable column.
		ELM2H-0850LD130E-H		153.5			8.34			
	1300W (220V)	ELM2H-1300LD130F-H	EL7-RS1500P EL7-EC1500N EL7-PN1500F	144	8.34	1500/4500	18.7			
		ELM2H-1300LD130E-H		171.5			21			
	1800W (220V)	ELM2H-1800LD130F-H	EL7-RS2000P EL7-EC2000N EL7-PN2000F	162	11.5	1500/3000	23.8			
		ELM2H-1800LD130E-H		189.5			26.1			
	850W (400V)	ELM2H-0850LD130FT-H	EL7-RS1000PT EL7-EC1000FT EL7-EC1000NT EL7-PN1000FT	126	5.39	1500/4500	12.5			
		ELM2H-0850LD130ET-H		153.5			14.8			
	1300W (400V)	ELM2H-1300LD130FT-H	EL7-RS1500PT EL7-EC1500FT EL7-EC1500NT EL7-PN1500FT	144	8.34	1500/4500	18.7			
		ELM2H-1300LD130ET-H		171.5			21			
	1800W (400V)	ELM2H-1800LD130FT-H	EL7-RS2000PT EL7-EC2000FT EL7-EC2000NT EL7-PN2000FT	162	11.5	1500/3000	23.8			
		ELM2H-1800LD130ET-H		189.5			26.1			
180	2900W (400V)	ELM2M-2900LD180FT-H	EL7-RS3000PT EL7-EC3000FT EL7-EC3000NT EL7-PN3000FT	193	18.6	1500/3000	39.78	CABLE-RZA-H-180 (V1.0)	CABLE-7BM*M*-HZ-180 (V1.0) 【Incremental】 CABLE-7BMA*M*-HZ-180 (V1.0) 【Absolute】	CABLE-SC*M*-H-180 (V1.0)
		ELM2M-2900LD180ET-H		241			40.27			
	4400W (400V)	ELM2M-4400LD180FT-H	EL7-RS4400PT EL7-EC4400FT EL7-EC4400NT EL7-PN4400FT	223	28.4		59.67			
		ELM2M-4400LD180ET-H		271			60.41			
	5500W (400V)	ELM2M-5500LD180FT-H	EL7-RS5500PT EL7-EC5500FT EL7-EC5500NT EL7-PN5500FT	243	35		72.93			
		ELM2M-5500LD180ET-H		291			73.84			
7500W (400V)	ELM2M-7500LD180FT-H	EL7-RS7500PT EL7-EC7500FT EL7-EC7500NT EL7-PN7500FT	283	48	99.45					
	ELM2M-7500LD180ET-H		331		100.7					

EL6 Series

Frame Size (mm)	Rated Power (W)	Motor Model	Matching Drive	Motor Length (mm)	Rated Torque (Nm)	Rated/Max Speed(rpm)	Inertia (kgm ² *10 ⁻⁴)	Motor Cable	Encoder cable	Brake Cable
40	50W (220V)	ELM2H-0050LA40F	EL6-RS400P EL6-CAN400Z	56.7	0.16	3000/5000	0.036	CABLE-RZH*M*-114-TS- (R) [without brake] CABLE-RZSH*M*-114-TS- (R) [with brake] (Add "R" after the model for back facing motor wiring)	CABLE-BMH*M*-114-TS [Incremental] CABLE-BMH*M*-124-TS- (R) [Absolute] +ER14505 BOX-G (Battery Kit) (Add "R" after the model for back facing motor wiring)	If you need brake cable, please select power cable with brake in the power cable column.
		ELM2H-0050LA40E		84			0.046			
	100W (220V)	ELM2H-0100LA40F		67.7	0.64	3000/5000	0.062			
		ELM2H-0100LA40E		95			0.072			
60	200W (220V)	ELM2H-0200LA60F	EL6-RS750P EL6-CAN750Z	71.6	2.39	3000/5000	0.28	CABLE-RZH*M*-114-TS- (R) [without brake] CABLE-RZSH*M*-114-TS- (R) [with brake] (Add "R" after the model for back facing motor wiring)	CABLE-BMH*M*-114-TS [Incremental] CABLE-BMH*M*-124-TS- (R) [Absolute] +ER14505 BOX-G (Battery Kit) (Add "R" after the model for back facing motor wiring)	If you need brake cable, please select power cable with brake in the power cable column.
		ELM2H-0200LA60E		101.1			0.3			
	400W (220V)	ELM2H-0400LA60F		88.8	2.39	3000/5000	0.6			
		ELM2H-0400LA60E		118.1			0.62			
80	750W (220V)	ELM2H-0750LA80F	EL6-RS1000P EL6-CAN1000Z	90.9	4.9	3000/5000	1.8	CABLE-RZH*M*-114-TS- (R) [without brake] CABLE-RZSH*M*-114-TS- (R) [with brake] (Add "R" after the model for back facing motor wiring)	CABLE-BMH*M*-114-TS [Incremental] CABLE-BMH*M*-124-TS- (R) [Absolute] +ER14505 BOX-G (Battery Kit) (Add "R" after the model for back facing motor wiring)	If you need brake cable, please select power cable with brake in the power cable column.
		ELM2H-0750LA80E		121.9			1.95			
	1000W (220V)	ELM2H-1000LA80F		103.9	8.34	3000/5000	2			
		ELM2H-1000LA80E		134.9			2.15			
100	1000W (220V)	ELM2L-1000LA100F-H	EL6-RS1000P EL6-CAN1000Z	154	11.5	3000/6000	2.43	CABLE-RZ*M*-H (V1.1) [Fixed cable] CABLE-RZ*M*-H (V2.0) [Flexible cable]	CABLE-7BM*M*-HZ (V3.0) [Incremental] CABLE-7BMA*M*-HZ (V3.0) [Absolute]	CABLE-SC*M*-H (V3.0)
		ELM2L-1000LA100E-H		194			2.63			
130	850W (220V)	ELM2H-0850LD130F-H	EL6-RS1000P EL6-CAN1000Z	126	8.34	1500/4500	12.5	CABLE-RZH*M*-135-TS [without brake] CABLE-RZSH*M*-135-TS [with brake]	CABLE-BMH*M*-114-TS [Incremental] CABLE-BMH*M*-124-TS- (R) [Absolute] +ER14505 BOX-G (Battery Kit) (Add "R" after the model for back facing motor wiring)	If you need brake cable, please select power cable with brake in the power cable column.
		ELM2H-0850LD130E-H		153.5			14.8			



● Headquarters in Shenzhen



● Shanghai Intelligent Industry Park

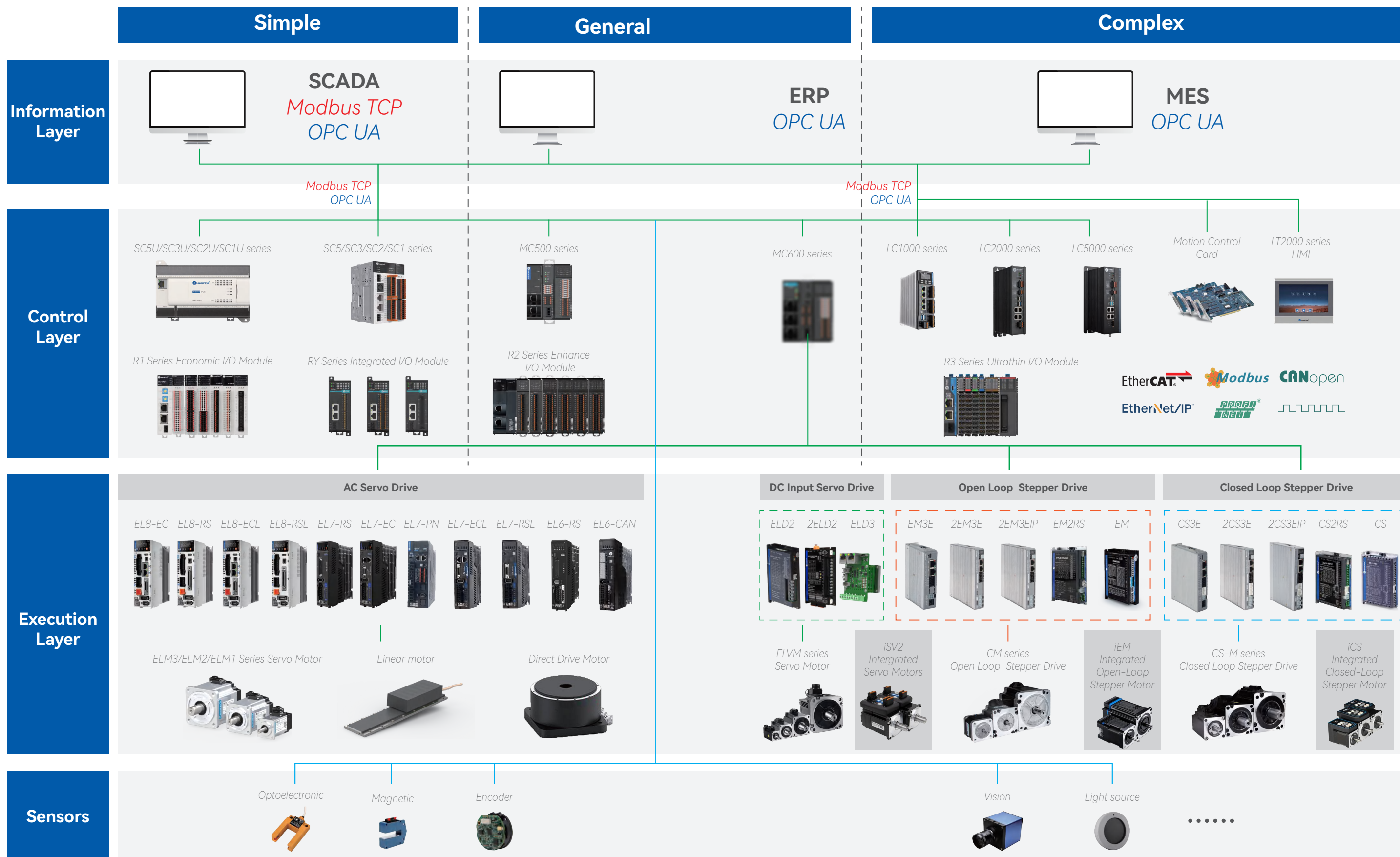


● Production base in Shenzhen

- **Founded in 1997**
- **Public Listed Company in China (002979.SZ)**
- **Dedication in Motion Control**
Stepper/Servo systems, Motion Controllers, PLC
Control systems, I/O Modules, Encoders
- **A leading supplier of motion control products and solutions in the world**
- **Customer Oriented, Technology Oriented, Forever Improving, Sharing of Success**

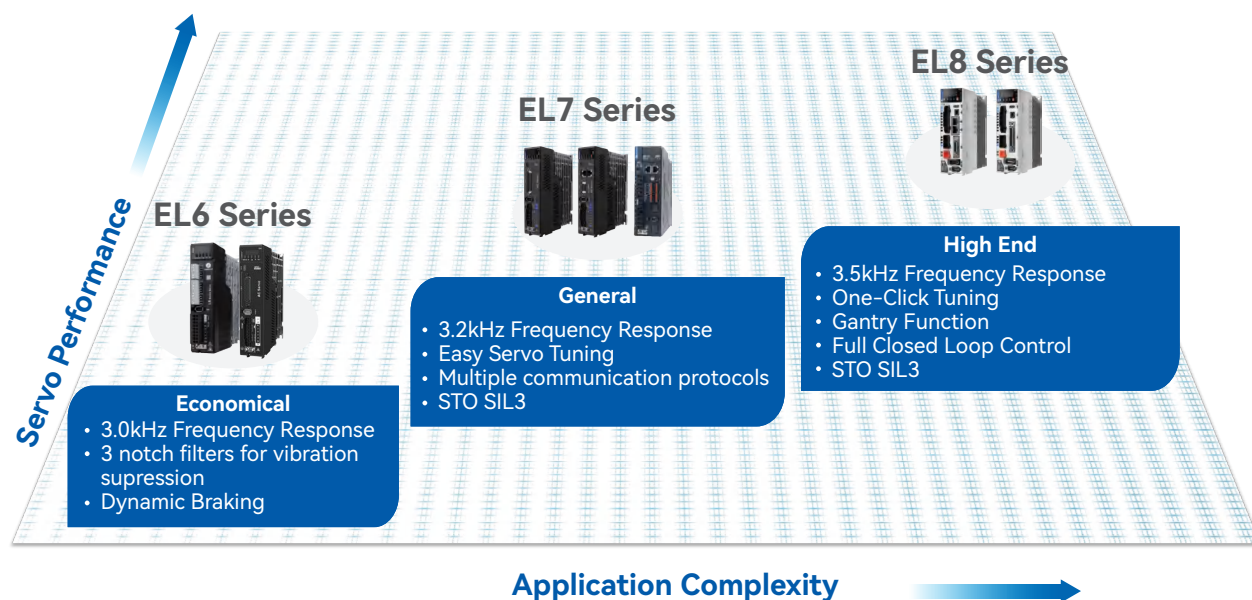
25+ Experience 400+ R&D Engineers 5 Subsidiaries 60+ Countries Clients 10000+ Global Partners 30million+ Installed Axes

Leadshine Motion Control Total Product System

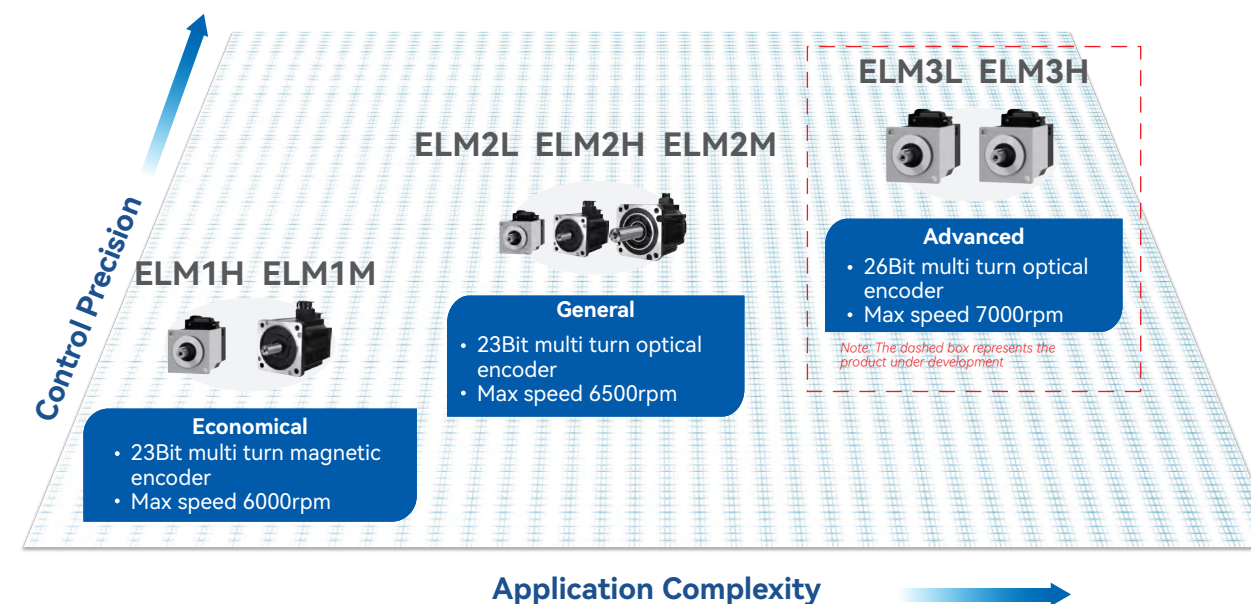


Leadshine Servo Product

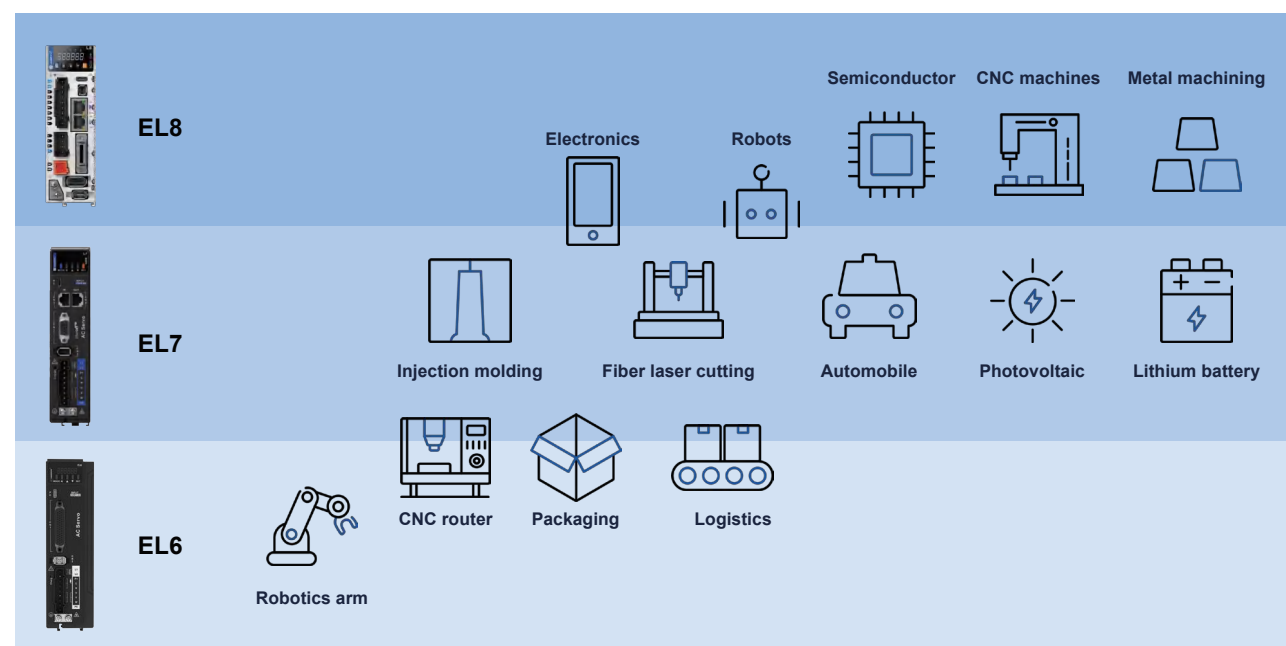
● Servo Drive Series



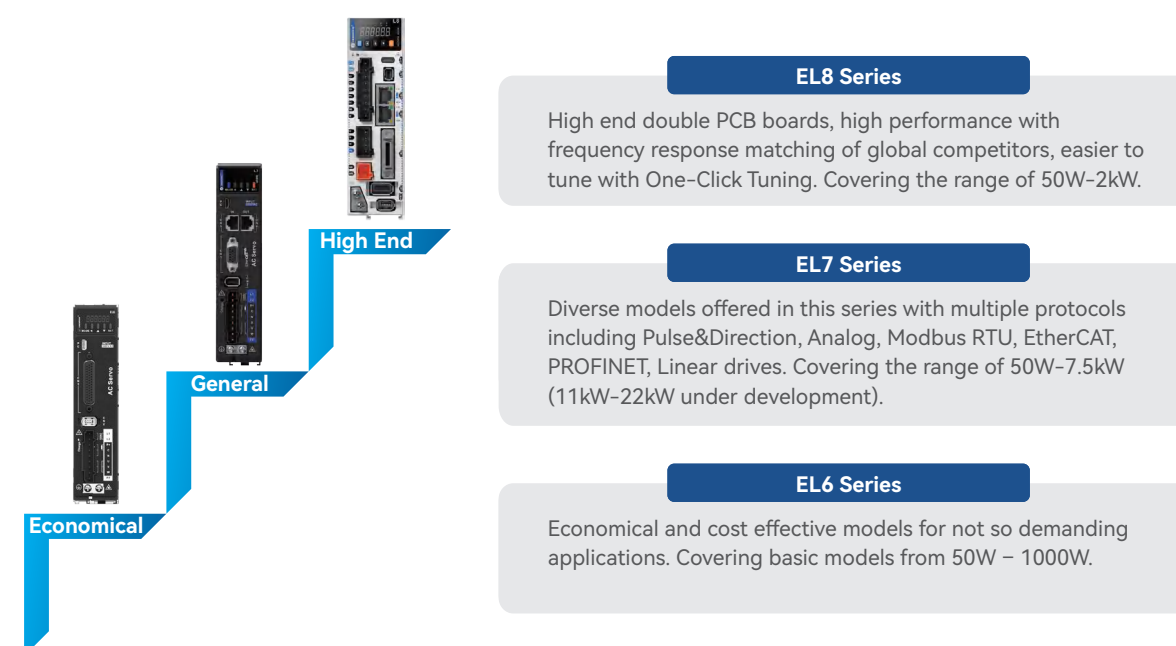
● Servo Motor Series



● Typical Applications



● Simple Introduction



Leadshine Servo Products Quick Selection

Servo Drive	Model	Power (W)	Voltage (VAC)	Dimensions (mm)	Weight (kg)	Command Source			Command Source			STO	Encoder Output	Brake Output	Digital Inputs (Points)	Digital Outputs (Points)	Analogue Input	Analogue Output	Matched Servo Motors
						Pulse+Dir	Analog Input		RS485	EtherCAT	CANopen								
AC Servo Drive EL8 Series	EL8-EC400F	400	1 Phase/ 3 Phase 220	150*150*43	1						√	√		8	3	2	2	ELM1 and ELM2 Servo Motors Please refer to page 84 to 87 for more information on matching servo motors	
	EL8-RS400F										√		√	√		10	6		3
	EL8-EC750F	750		150*160*55	1.2	√	√		√				√	8	3	2	2		
	EL8-RS750F					√	√		√	√		√	√	√	10	6	3		2
	EL8-EC1000F	1000		183*160*80	2							√	√		8	3	2		2
	EL8-RS1000F					√	√		√	√		√	√	√	10	6	3		2
	EL8-EC1500F	1500		183*160*80	2							√	√		8	3	2		2
	EL8-RS1500F					√	√		√	√		√	√	√	10	6	3		2
	EL8-EC2000F	2000		183*160*80	2							√	√		8	3	2		2
EL8-RS2000F	√		√				√	√		√	√	√	10	6	3	2			
AC Servo Drive EL7 Series - 220VAC	EL7-RS400P	400	1 Phase 220	175*156*40	0.9	√	√		√			√		8	5	2	1		
	EL7-RS750P	750		175*156*50	1.1	√	√		√			√		8	5	2	1		
	EL7-RS1000P	1000	1 Phase/ 3 Phase 220	175*156*80	1.2	√	√		√			√		8	5	2	1		
	EL7-RS1500P	1500			2.3	√	√		√			√		8	5	2	1		
	EL7-RS2000P	2000			2.3	√	√		√			√		8	5	2	1		
AC Servo Drive EL7 Series - 400VAC	EL7-RS750PT	750	3 Phase 400	179*175*55	1.3	√	√		√			√		8	5	2	1		
	EL7-RS1000PT	1000				√	√		√			√		8	5	2	1		
	EL7-RS1500PT	1500				√	√		√			√		8	5	2	1		
	EL7-RS2000PT	2000		179*175*80	1.9	√	√		√			√		8	5	2	1		
	EL7-RS3000PT	3000				√	√		√			√		8	5	2	1		
	EL7-RS4400PT	4400		230*250*90	3.3	√	√		√			√		8	5	2	1		
	EL7-RS5500PT	5500				√	√		√			√		8	5	2	1		
	EL7-RS7500PT	7500				√	√		√			√		8	5	2	1		
AC Servo Drive EL7 Series - 220VAC	EL7-EC400N	400	1 Phase 220	175*156*40	0.9					√	√		4	3					
	EL7-EC750N	750		175*156*50	1.2					√	√		4	3					
	EL7-EC1000N	1000	1 Phase/ 3 Phase 220	179*175*55	2.3					√	√		4	3					
	EL7-EC1500N	1500				√	√		4	3									
	EL7-EC2000N	2000				√	√		4	3									
AC Servo Drive EL7 Series - 400VAC	EL7-EC750NT	750	3 Phase 400	179*175*55	1.3					√	√		4	3					
	EL7-EC1000NT	1000				√	√		4	3									
	EL7-EC1500NT	1500				√	√		4	3									
	EL7-EC2000NT	2000		179*175*80	1.9	√	√		√	√		4	3						
	EL7-EC3000NT	3000				√	√		√	√		4	3						
	EL7-EC4400NT	4400		230*250*90	3.3					√	√		4	3					
	EL7-EC5500NT	5500				√	√		√	√		4	3						
	EL7-EC7500NT	7500				√	√		√	√		4	3						
AC Servo Drive EL6 Series	EL6-RS400P	400	1 Phase 220	175*156*40	0.9	√			√			√	√	8	5				
	EL6-CAN400Z										√			4	3				
	EL6-RS750P	750		175*156*50	1.1	√			√			√	√	8	5				
	EL6-CAN750Z										√			4	3				
	EL6-RS1000P	1000		175*156*50	1.2	√			√			√	√	8	5				
EL6-CAN1000Z									√			4	3						

Applications

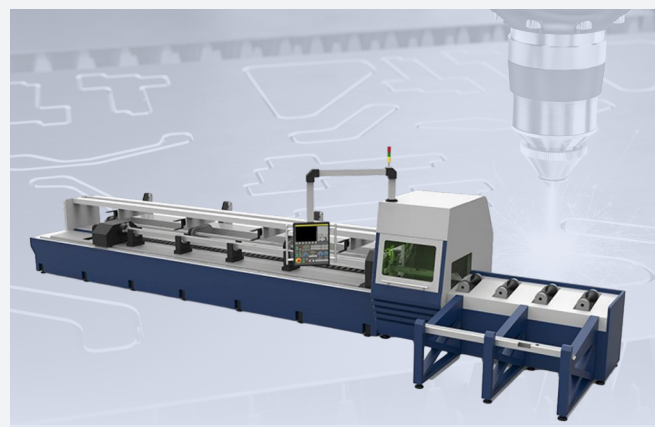
CNC Router



Product Advantages:

- High torque servo motor with 3 times overloading capability
- 23-bit encoders with great impact resistant and harsh environment resistance
- Servo drive optimized for CNC router applications
- Comes with safety features such as Safe Torque Off and Dynamic Braking
- Servo Motors maximum torque ranging from 0.105Nm up to 119Nm

Fiber Laser Cutting



Product Advantages:

- Great Compatibility with renowned laser cutting controller from FScut, Weihong, Beckhoff, Empower, etc.
- Available with most mainstream communication protocols (EtherCAT, Modbus RTU, PROFINET)
- Accurate positioning of 0.02mm and precision up to 0.01mm
- Easy servo tuning features to assist users in setting up the servo systems
- Robust and compact servo motors with high dust- and waterproof ratings



Wafer Cutting

- Full Closed Loop Control function to realize high accuracy control and real time compensation for lead screw wear.
- Real time control using EtherCAT/PROFINET servo drives.
- Easy-to-use, low maintenance and high reliability.



Automated Battery Lamination

- Linear Motors, Direct Drive Motors and Rotary Servo Motors are available.
- Production cycle time per part as low as 0.55s.
- High accuracy and precision motion control with servo drive frequency response of 3.5kHz



Semiconductor Wafer Cleaning

- High following capability with servo frequency response up to 3.5kHz
- Easy servo tuning features for notch filter settings and anti-vibration tunings
- Industrial Ethernet Standard with communication rate up to 100Mbps and compatible with any mainstream PLCs.