

EML Model

Specification Description

EML-10 A

EML Model Servo Motor

Rated Output Power

Power Voltage

F B

Encoder

Designing Sequence

2

Shaft End

4

Option Parts

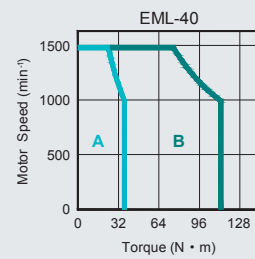
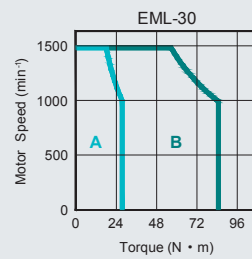
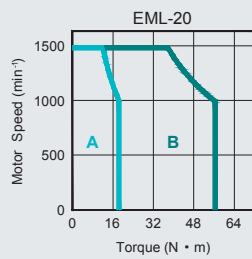
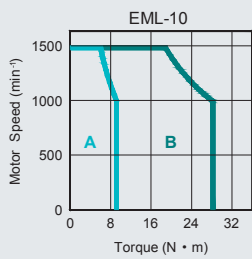
Sign	Spec.	Sign	Spec.	Sign	Spec.	Sign	Spec.	Sign	Spec.	Sign	Spec.
10	1.0kW	A	200VAC	F	20 Bit Incremental : Encoder 1048576P/R	A,B	Designing Sequence	2	Flat, With Keys With Screw Thread	2	With Oil Seal
20	2.0kW	D	400VAC	S	17 Bit Absolute Encoder: 131072P/R					4	With Oil Seal, With Brake (DC24V)
30	3.0kW										
40	4.0kW										

Rated Value and Specification

Voltage		200VAC / 400VAC							
Servo Motor Model	EML-	10A□B□□	10D□B□□	20A□A□□	20D□A□□	30A□A□□	30D□A□□	40A□A□□	40D□A□□
Rated Output Power	kW	1.0		2.0		3.0		4.0	
Rated Torque	N.m	9.55		19.1		28.7		38.2	
Instantaneous Peak Torque	N.m	28.7		57.3		86.0		114.6	
Rated Current	Arms	5.5	2.8	12.0	6.2	18.0	9.0	24.0	12.2
Instantaneous Max. Current	Arms	16.5	8.4	36.0	18.6	54.0	27.0	72.0	36.6
Rated Speed	r/min	1000							
Max. Speed	r/min	1500							
Rotor Moment of Inertia	×10 ⁻⁴ kg·m ²	23.5(24.6)		53.5 (56.7)		77.8 (81.0)		102.2 (105.4)	
Brake Rated Voltage		DC24V±10%							
Brake Rated Power	W	19.5		35					
Brake Holding Torque	N·m	12		40					
Encoder		20 bit Incremental Encoder 1048576P/R 17 bit Absolute Encoder 131072 P/R							
Insulation Class		F							
Ambient Temperature		0 to + 40°C (No freezing)							
Ambient Humidity		20 to 80% RH (Non-condensing)							
Vibration		24.5m/s ²							
Enclosure		Totally Enclosed, Self-cooled, IP65 (Except for shaft opening, when not equipped with oil seal.)							

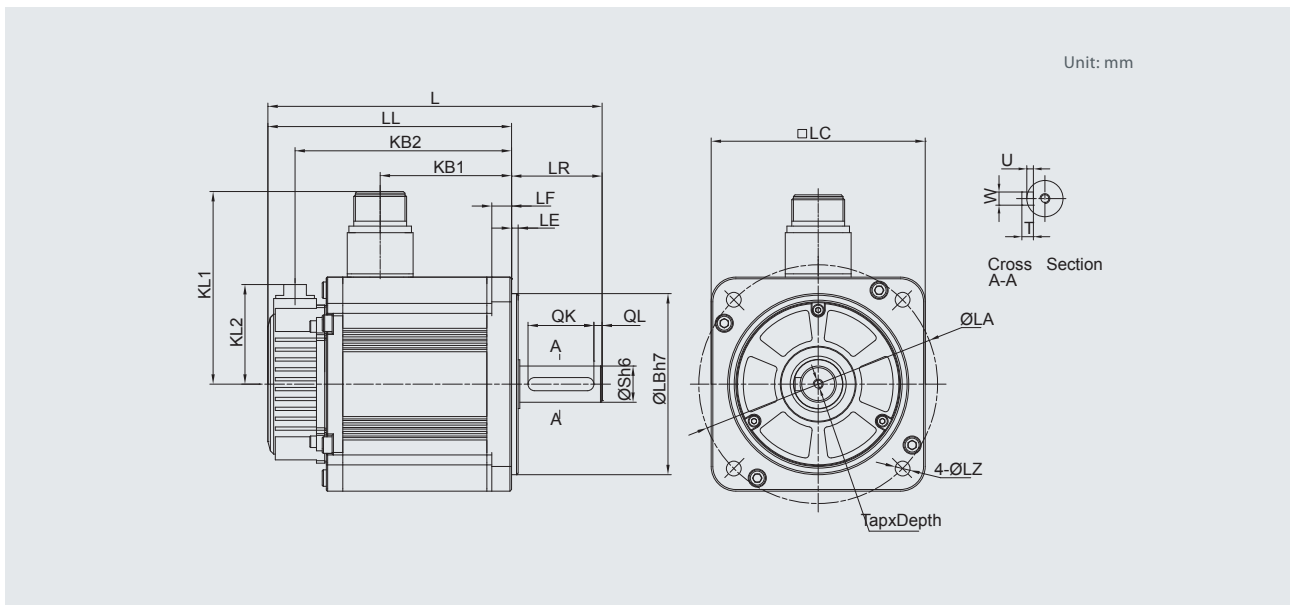
Note: The values in parentheses are for servo motors with holding brakes.

Torque-Speed Feature



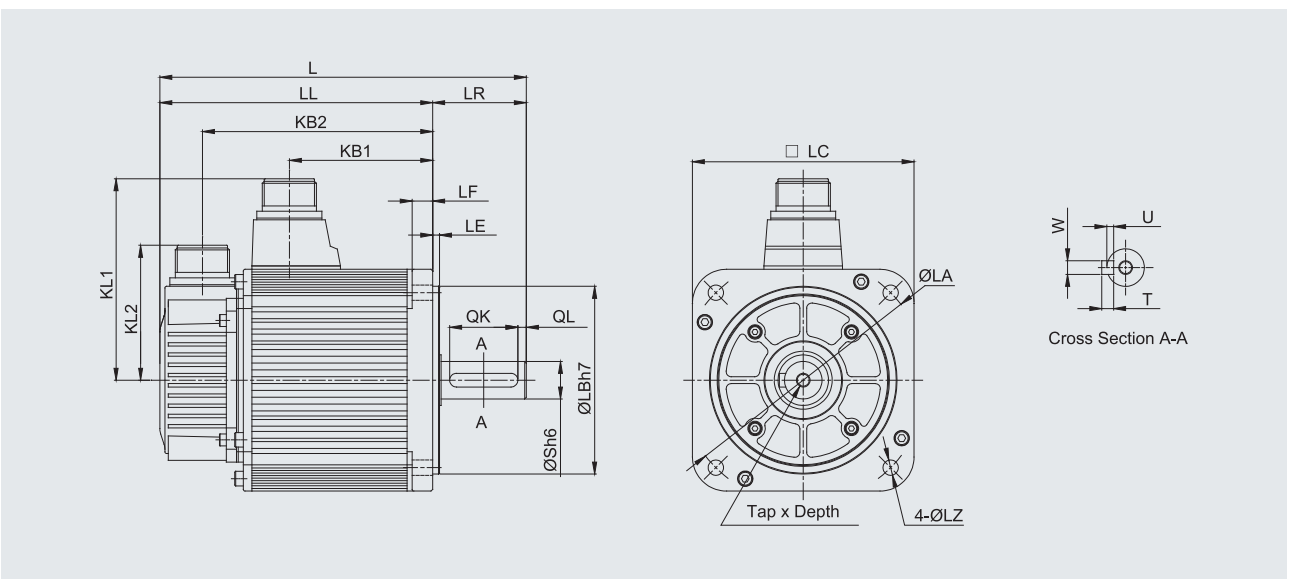
A: Continuous Working Area B: Repeatedly Working Area

EML Dimension



Model EML-	L	LL	KB1	KB2	KL1	KL2	Flange side							S	Tap x Depth	Key				
							LR	LE	LF	LC	LA	LB	LZ			QK	QL	W	T	U
10□□B	247(289.5)	192(234.5)	124(147.2)	175.5(218)	117	60.5	55	4	12	130	145	110	9	22	M6x20L	40	5	8	7	4

Note: The dimension in parentheses are for servo motors with holding brakes.



Model EML-	L	LL	KB1	KB2	KL1	KL2	Flange side							S	Tap x Depth	Key				
							LR	LE	LF	LC	LA	LB	LZ			QK	QL	W	T	U
20□□A	332(401)	253(322)	168	228(245)	140	79	79	3.2	18	180	200	114.3	13.5	35	M8x16L	55	6	10	8	5
30□□A	372(443)	293(364)	208	268(287)	140	79	79	3.2	18	180	200	114.3	13.5	35	M8x16L	55	6	10	8	5
40□□A	412(478)	333(399)	243	308(322)	140	79	79	3.2	18	180	200	114.3	13.5	35	M8x16L	55	6	10	8	5

Note: The dimension in parentheses are for servo motors with holding brakes.