

# Servo Motor Specification

## EMJ Model

### Specification Description

# EMJ - 08 A F B 2 4

EMJ Model Servo Motor      Rated Output Power      Power Voltage      Encoder      Designing Sequence      Shaft End      Option Parts

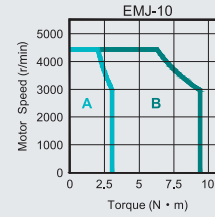
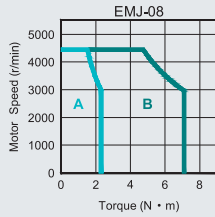
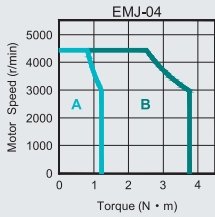
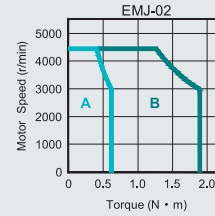
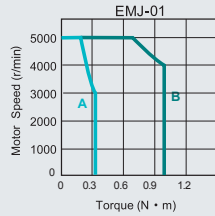
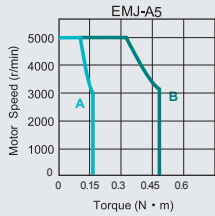
Sign	Spec.	Sign	Spec.	Sign	Spec.	Sign	Spec.	Sign	Spec.
A5	0.05kW	A	200VAC	F	20 Bit Incremental : Encoder 1048576P/R	A, B, H	Designing Sequence	2	Flat, With Keys, With Screw Thread
01	0.1kW			S	17 Bit Absolute Encoder: 131072P/R			4	With Oil Seal, With Brake (DC24V)
02	0.2kW								
04	0.4kW								
08	0.75kW								
10	1.0kW								

### Rated Value and Specification

Voltage		200VAC						
Servo Motor Model	EMJ-	A5ASA□□	01ASA□□	02ASA□□ 02AFA□□	04ASA□□ 04AFB□□	04ASH□□ 04AFH□□	08ASB□□ 08AFB□□	10ASB□□ 10AFB□□
Rated Output Power	kW	0.05	0.1	0.2	0.4		0.75	1.0
Rated Torque	N·m	0.16	0.32	0.64	1.27		2.39	3.18
Instantaneous Peak Torque	N·m	0.48	0.96	1.91	3.82		7.16	9.55
Rated Current	Arms	0.6	1.1	1.4	2.8		4.0	5.3
Instantaneous Max Current	Arms	1.7	3.0	4.2	8.4		12.0	15.9
Rated Speed	r/min	3000						
Max. Speed	r/min	5000			4500			
Rotor Moment of Inertia	×10 <sup>-4</sup> kg·m <sup>2</sup>	0.019 (0.05)	0.035 (0.052)	0.19 (0.23)	0.31 (0.35)	0.7 (0.74)	1.35 (1.47)	1.74 (1.87)
Brake Rated Voltage		DC24V±10%						
Brake Rated Power	W	4			7.2		11.5	
Brake Holding Torque	N·m	0.318			1.3		3.2	
Encoder		17 bit Absolute Encoder 131072 P/R			20 bit Incremental Encoder 1048576P/R 17 bit Absolute Encoder 131072 P/R			
Insulation Class		F						
Ambient Temperature		0 to +40°C (no freezing)						
Ambient Humidity		20% to 80% RH (non-condensing)						
Vibration		49m/s <sup>2</sup>						
Enclosure		Totally Enclosed, Self-cooled, IP65 ( Except for shaft opening, when not equipped with oil seal; Except for connectors, when not equipped with waterproof connectors. )						

Note: The values in parentheses are for servo motors with holding brakes.

Torque-Speed Feature

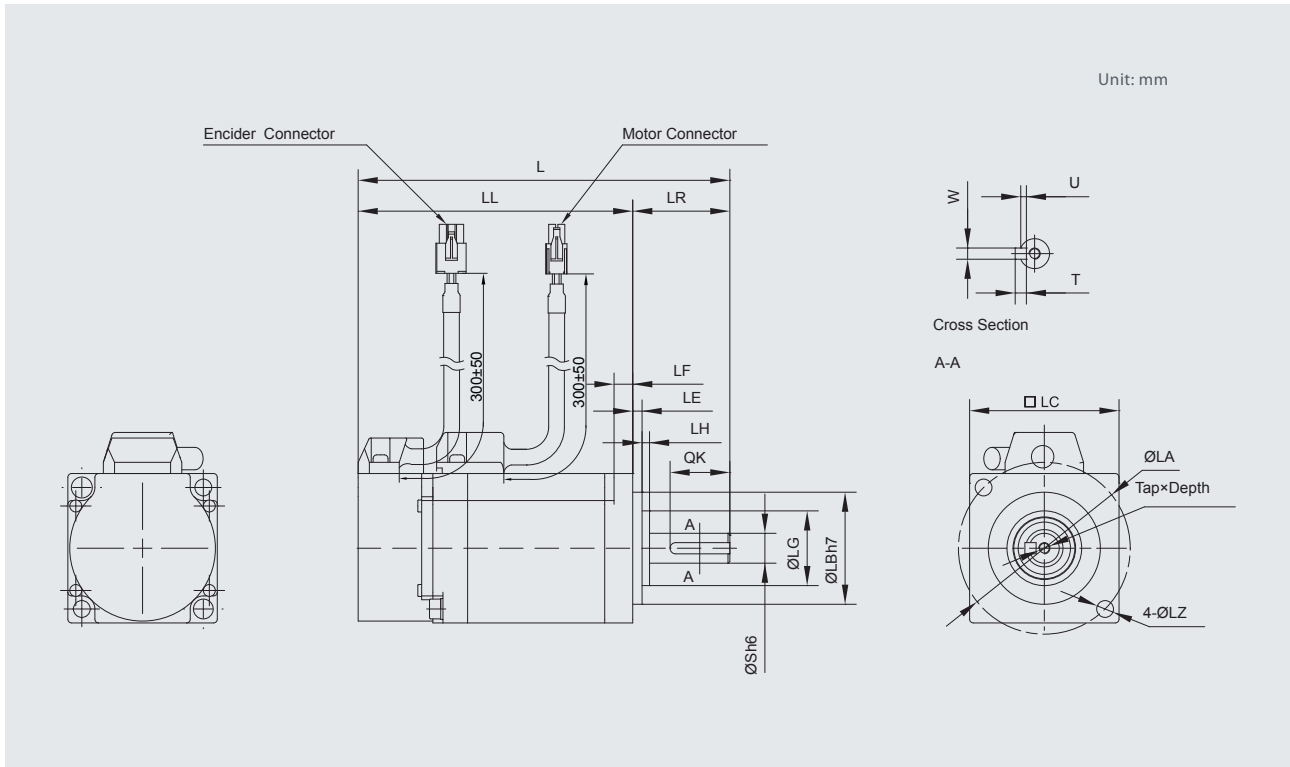


A: Continuous Working Area B: Repeatedly Working Area

# Dimension

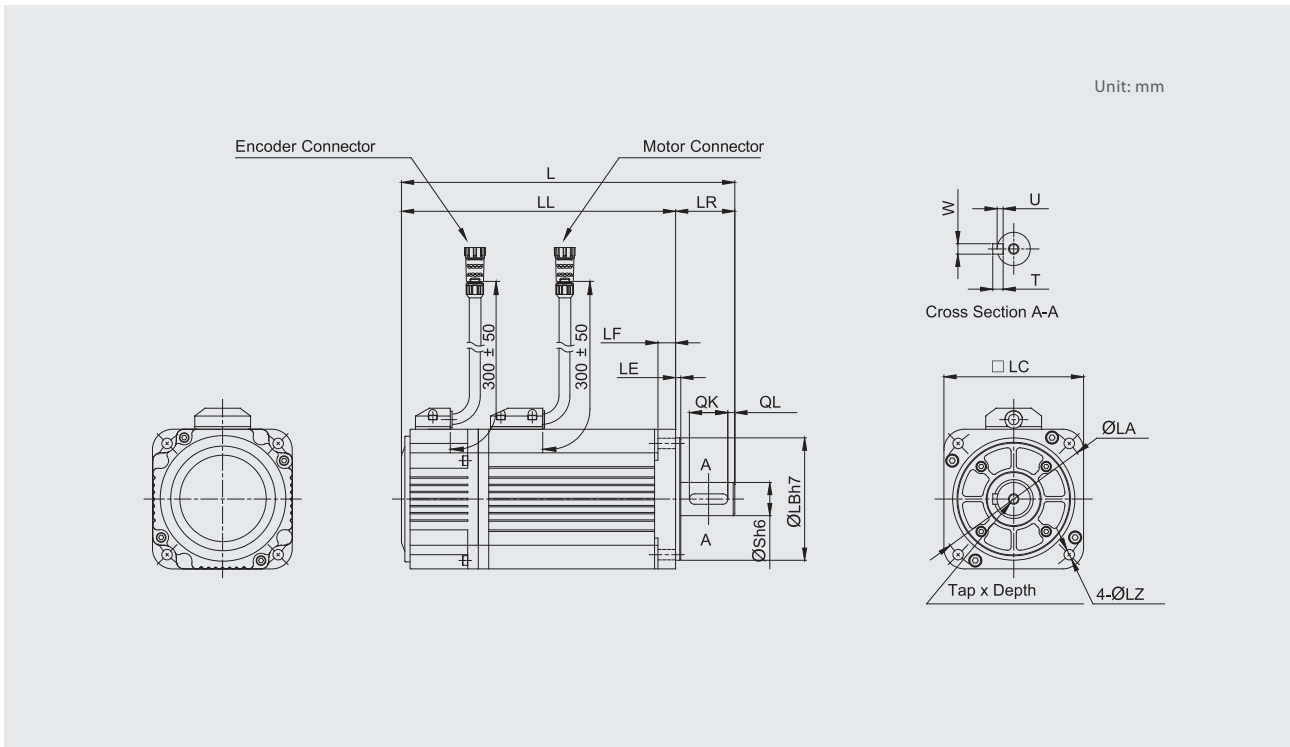
## Servo Drive

### EMJ Dimension



Model EMJ-	L	LL	Dimension									S	Tap×Depth	Key			
			LR	LH	LG	LE	LF	LC	LA	LB	LZ			QK	W	T	U
A5ASA	84.5(120.1)	59.5(95.1)	25	2	20	2.5	5	40	46	30	4.5	8	M3×10L	16	3	3	1.8
01ASA	98.5(134.1)	73.5(109.1)	25	2	20	2.5	5	40	46	30	4.5	8	M3×10L	16	3	3	1.8

Note: The dimension in parentheses are for servo motors with holding brakes.



Model EMJ-	L	LL	Dimension							S	Tap×Depth	Key				
			LR	LE	LF	LC	LA	LB	LZ			QK	QL	W	T	U
02ASA	154(194)	124(164)	30	3	6	60	70	50	5.5	14	M5×10L	16	4	5	5	3
02AFA	142(182)	112(152)														
04AFB	161(201)	131(171)														
04ASA	174(214)	144(184)														
04AFH	172(212)	142(182)														
04ASH	182(222)	152(192)	35	9	80	90	70	7	19	M6×15L	22	6	6	3.5		
08AFB	173(216)	138(181)														
08ASB	186(229)	151(194)														
10AFB	191(234)	156(199)														
10ASB	204(247)	169(212)														

Note: The dimension in parentheses are for servo motors with holding brakes.