

	Series	Section Page	Max. Holding Capacity N [lbf.]					Drawing Movement mm [inch]					
			0 to 2000 [0 to 450]	2000 to 4000 [450 to 900]	4000 to 6000 [900 to 1350]	6000 to 10000 [1350 to 2250]	10000 to 20000 [2250 to 4500]	20000+ [4500+]	0 to 50 [0 to 1.97]	50 to 75 [14.97 to 2.95]	75 to 100 [2.95 to 3.94]	100 to 125 [3.94 to 4.92]	125 to 150 [4.92 to 5.91]
	3051	5.3											
	330	5.4											
	351	5.4											
	371	5.4											
	381	5.4											
	323	5.8											
	331	5.8											
	341	5.8											
	375	5.12											
	385	5.14											
	324	5.17											
	334	5.17											
	344	5.17											
	374	5.17											
	301	5.21											
	311	5.21											
	3011	5.22											
	353	5.23											



Overall Height mm [inch]					Overall Length mm [inch]					Overall Width mm [inch]				Standard Material			Hook Style		Service Environment							
0 to 50 [0 to 1.97]	50 to 75 [1.97 to 2.95]	75 to 100 [2.95 to 3.94]	100 to 125 [3.94 to 4.92]	125 to 150 [4.92 to 5.91]	150+ [5.91+]	50 to 100 [1.97 to 3.94]	100 to 150 [3.94 to 5.91]	150 to 200 [5.91 to 7.87]	200 to 250 [5.91 to 9.84]	250 to 300 [5.91 to 11.81]	300 to 350 [11.81 to 13.78]	0 to 40 [0 to 1.57]	40 to 50 [1.57 to 1.97]	50 to 60 [1.97 to 2.36]	60 to 70 [2.36 to 2.76]	70 to 80 [2.76 to 3.15]	80 to 90 [3.15 to 3.54]	Duty Cycle	Steel	Stainless Steel	Toggle Lock Plus	Fixed	Adjustable U-Hook	Adjustable J-Hook	Normal	Harsh/Dirty
█								█				█						○	✓		✓			✓	✓	
█								█				█						○	✓	✓				✓	✓	
█								█				█						○	✓	✓	✓			✓	✓	
	█									█				█				○	✓	✓	✓			✓	✓	
	█									█						█		○	✓	✓	✓			✓	✓	
█						█						█						○	✓	✓	✓		✓		✓	
█							█					█						○	✓	✓	✓		✓		✓	
	█							█					█					○	✓	✓	✓		✓		✓	
		█							█					█				○	✓	✓	✓		✓		✓	
			█							█					█			○	✓	✓	✓		✓		✓	
				█											█			○	✓	✓	✓		✓		✓	
					█											█		○	✓	✓	✓		✓		✓	
█								█					█					○	✓	✓		✓		✓		
	█								█					█				○	✓			✓		✓		
		█								█					█			○	✓	✓		✓			✓	
			█													█		○	✓	✓		✓			✓	
				█													█	○	✓	✓		✓			✓	

● Excellent/High
 ○ Fair/Medium
 ● Poor/Low
 ✗ Not Recommended

Series 3051 Product Overview

Features:

- Safe, single handed operation
- Innovative controlled motion
- Secure toggle locking action
- Simple set-up and adjustment
- Clamp hook/arm moves and stays safely out of the way

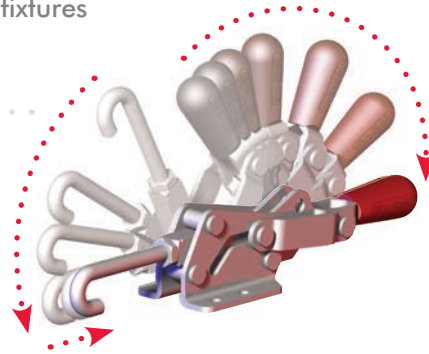
Applications:

- Molding
- Closures for doors, lids, covers
- Assembly
- Checking fixtures

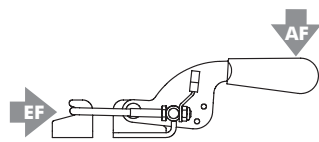
3051



3051-R

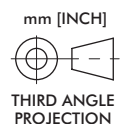
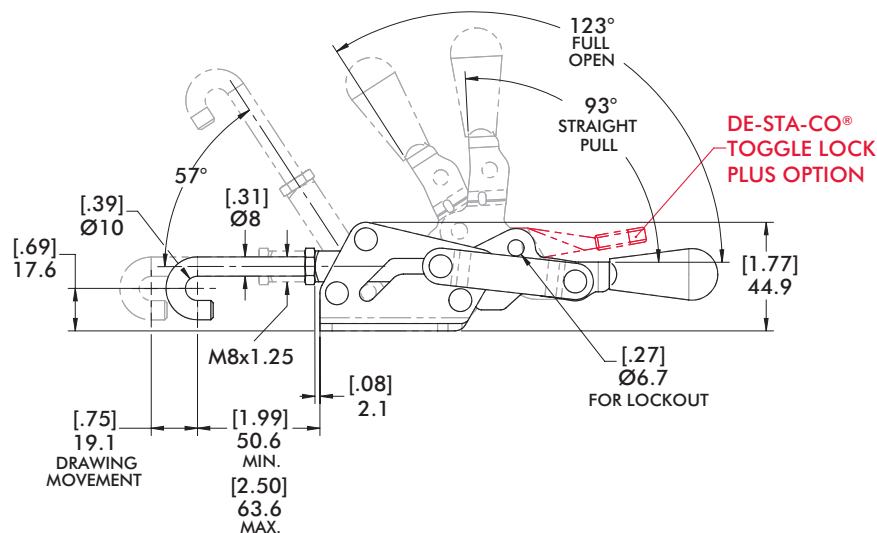
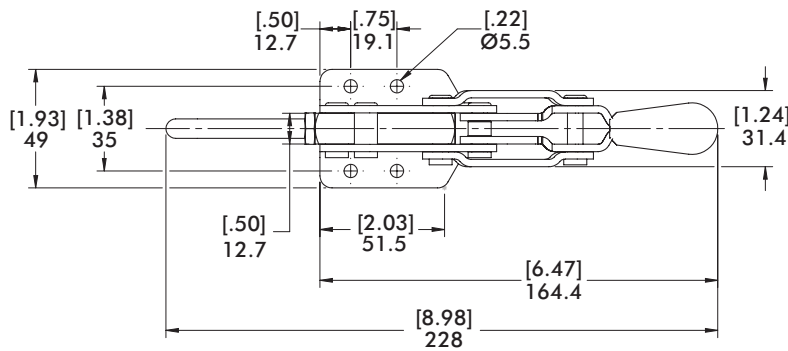


Series 3051 Technical Information, Holding Capacities, Standard Clamp Dimensions



Model	Max. Holding Capacity	Weight	EF:AF	Drawing Movement	Replacement Hook Assembly	Hook Adj. Range
3051	6700N [1500lbf]	0,50kg [1.0lb]	12:1	19,1 [0.75]	3051208	14 [0.55]
3051-R						

EF = Exerting Force, AF = Applied Force





Series 330, 351, 371, 381 Product Overview

Features:

- J-hook style latch clamps are supplied with threaded J-hooks for easy adjustment
- Supplied with patented thumb control lever for one handed operation
- DE-STA-CO® Toggle Lock Plus versions available
- Stainless steel version available as **-SS** models

Applications:

- Molding
- Closures for doors, lids, covers
- Assembly

Also Available:

- Clamps with longer hooks available Upon Request that are 25mm, 50mm, 100mm longer than standard length
- To order clamp with longer hook, add **-M-25**, **-M-50**, or **-M-100** to the end of the model. Example: 330-**M-50**

Covered under one year or more U.S./International Patents

330
330-**SS**



351
351-**SS**



351-**B**
351-**BSS**
Narrow Base



351-**R**
with
DE-STA-CO®
Toggle Lock
Plus



371
371-**SS**



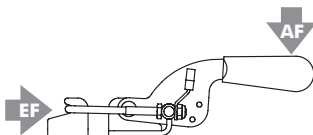
371-**R**
with DE-STA-CO®
Toggle Lock
Plus



381
381-**SS**



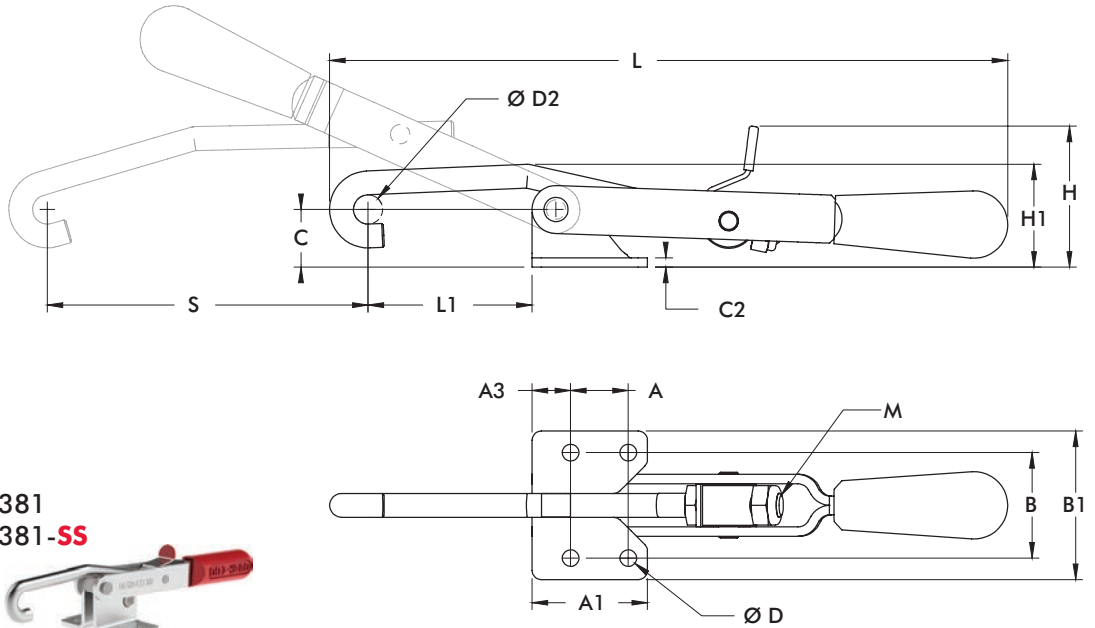
Series 330, 351, 371, 381 Technical Information, Holding Capacities



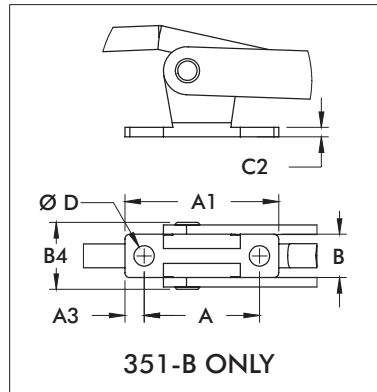
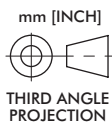
Model	Max. Holding Capacity	Weight	EF:AF	Drawing Movement	Replacement Hook Assembly	Hook Adj. Range
330	900 N [200 lbf]	0,11kg [0.24lb]	17:1	59,7 [2.35]	330215	7.4 [0.29]
330-SS					330915	
351	1670 N [375 lbf]	0,28kg [0.61lb]	21:1	101,6 [4.00]	351215	12.4 [0.49]
351-SS	2000 N [450 lbf]				351915	
351-B	1670 N [375 lbf]				351215	
351-BSS					351915	
351-R					351215	
371	3340 N [750 lbf]	0,69kg [1.53lb]	36:1	136,7 [5.38]	371215	23.9 [0.94]
371-SS		0,85kg [1.88lb]			371915	
371-R					371215	
381	4450 N [1000 lbf]	1,16kg [2.56lb]	37:1	155,7 [6.13]	381215	29.7 [1.17]
381-SS		381915				

EF = Exerting Force, AF = Applied Force

Series **330, 351, 371, 381** Standard Clamp Dimensions
330/351/371/381/-SS/-B/-BSS



351-B
351-BSS
Narrow Base

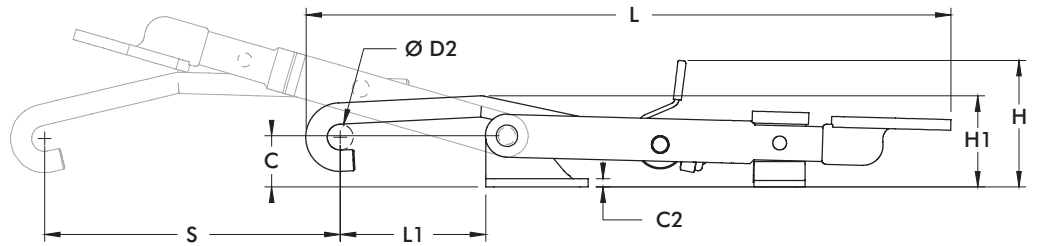


Model	A	A1	A3	B
330	[0.50]	[1.00]	[0.25]	[1.22]
330-SS	12,7	25,4	6,4	30,9
351	[0.75]	[1.50]	[0.50]	[1.37]
351-SS	19,1	38,1	12,7	34,8
351-B	[1.50]	[2.00]	[0.25]	[0.56]
	38,1	38,1	6,4	14,3
371	[1.25]	[1.94]	[0.34]	[1.94]
371-SS	31,8	49,2	8,7	49,2
381	[1.13]	[2.13]	[0.50]	[2.37]
381-SS	28,6	54,1	12,7	60,3

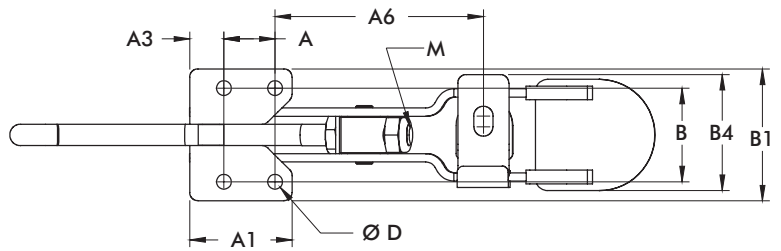
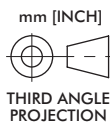
Model	B1	B4	C	C2	ØD	ØD2	H	H1	L	L1 Max	M	S
330	[1.69]	-	[0.56]	[0.12]	[0.22]	[0.32]	[1.43]	[0.89]	[6.01]	[1.70]	M5	[2.35]
330-SS	42,9	-	14,2	3,1	5,6	8,1	36,2	22,6	152,7	43,3		59,7
351	[1.93]	-	[0.75]		[0.22]		[1.83]	[1.34]		[2.13]		
351-SS	49,1	-	19,1	[0.12]	5,5	[0.38]	46,6	34	[8.82]	54,2	M8	[4.00]
351-B	-	[0.87]	[0.86]		[0.27]		[1.94]	[1.45]		[1.63]		101,6
		22,1	21,8		6,7		49,3	36,8		41,4		
371	[2.63]	-	[1.42]	[0.16] 4	[0.34]	[0.50]	[2.58]	[2.23]	[11.89]	[2.81]	M10	[5.38]
371-SS	66,7	-	36,1		8,7	12,7	65,6	56,5	302	71,5		136,7
381	[3.38]	-	[1.81]	[0.19]	[0.41]	[0.62]	[2.90]	[2.71]	[13.45]	[3.13]	M12	[6.13]
381-SS	85,9	-	46	4,7	10,3	15,7	73,6	68,8	341,7	79,5		155,7

Series 351-R, 371-R Standard Clamp Dimensions

371-R
with
DE-STA-CO®
Toggle Lock
Plus

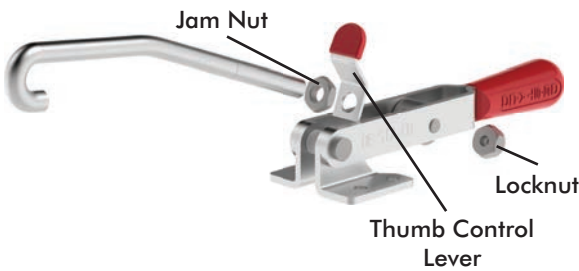
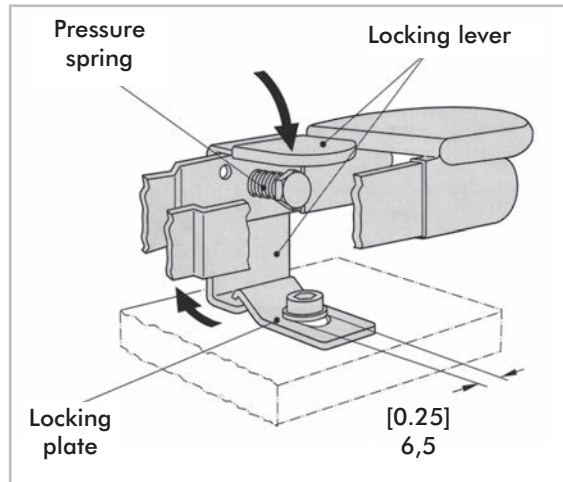


351-R
with
DE-STA-CO®
Toggle Lock
Plus



Model	A	A1	A3	A6	B	B1	B4	C	C2	ØD	H	H1
351-R	[0.75] 19,1	[1.50] 38,1	[0.50] 12,7	[3.06] 77,7	[1.37] 34,8	[1.93] 49,1	[1.70] 19,1	[0.75] 19,1	[0.12] 3,1	[0.22] 5,5	[1.85] 47,1	[1.34] 33,9
371-R	[1.25] 31,8	[1.94] 49,2	[0.34] 8,7	[4.73] 120,1	[1.94] 49,2	[2.63] 66,7	[2.25] 57,2	[1.42] 36,1	[0.16] 4	[0.34] 8,7	[2.65] 67,4	[2.22] 56,3

Model	L	L1	M	S
351-R	[9.45] 240	[2.13] 54,2	M8	[4.33] 110
371-R	[12.74] 323,6	[2.81] 71,4	M10	[5.59] 142



For added convenience, DE-STA-CO Pull Action Toggle Clamps are supplied with a thumb control lever.

Replacement Thumb Control Lever	Used on Clamp Model
330-ZB1	330
351-ZB1	351, 351-B 351-R, 351-SS
371-ZB1	371, 371-R 371-SS
381-ZB1	381, 381-SS

Model 351-R, 371-R

Information concerning the assembly and function of the clamps locking mechanism

The locking plate which is supplied with the unit must be fastened with a screw (M6 or 1/4-20) as shown in this illustration. The screw head should be flat.

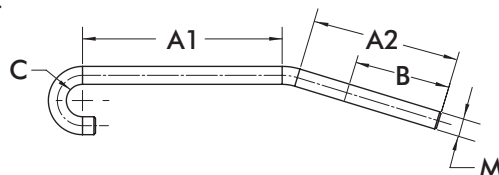
Function

When closing the latch clamp, the locking lever engages automatically. Actuate the locking lever to open the clamp.

Series 351-R, 371-R Replacement Hook Assembly Standard Dimensions

Replacement Hook Assembly	Used on Clamp Model	A1	A2	B	ØC	M	Material
330103	330	[2.00] 50,8	[1.50] 38,1	[0.75] 19,1	[0.32] 8,1	M5 x 0.8	Steel
330103-76 ⓘ	330-M-25	[3.00] 76,2					
330103-101 ⓘ	330-M-50	[4.00] 101,6					
330103-152 ⓘ	330-M-100	[6.00] 152,4					Stainless Steel
330903	330-SS	[2.00] 50,8					
330903-76 ⓘ	330-SS-M-25	[3.00] 76,2					
330903-101 ⓘ	330-SS-M-50	[4.00] 101,6	[3.38] 85,9	[1.63] 41,4	[0.38] 9,6	M8 x 1.25	Steel
330903-152 ⓘ	330-SS-M-100	[6.00] 152,4					
351103	351 351-B 351-R	[2.09] 53,1					
351103-78 ⓘ	351-M-25 351-B-M-25 351-R-M-25	[3.09] 78,5					Stainless Steel
351103-104 ⓘ	351-M-50 351-B-M-50 351-R-M-50	[4.09] 103,9					
351103-155 ⓘ	351-M-100 351-B-M-100 351-R-M-100	[6.09] 154,7					
351903	351-SS	[2.09] 53,1	[4.16] 105,7	[2.22] 56,4	[0.50] 12,7	M10 x 1.50	Steel
351903-78 ⓘ	351-SS-M-25	[3.09] 78,5					
351903-104 ⓘ	351-SS-M-50	[4.09] 103,9					
351903-155 ⓘ	351-SS-M-100	[6.09] 154,7					
371103	371 371-R	[2.94] 74,7					[4.63] 117,6
371103-100 ⓘ	371-M-25 371-R-M-25	[3.94] 100					
371103-125 ⓘ	371-M-50 371-R-M-50	[4.94] 125,5					
371103-176 ⓘ	371-M-100 371-R-M-100	[6.94] 176,3					
371903	371-SS	[2.94] 74,7	Stainless Steel				
371903-100 ⓘ	371-SS-M-25	[3.94] 100					
371903-125 ⓘ	371-SS-M-50	[4.94] 125,5					
371903-150 ⓘ	371-SS-M-100	[6.94] 176,3					
381103	381	[3.00] 76,2	[4.63] 117,6	[2.50] 63,5	[0.62] 15,8	M12 x 1.75	Steel
381103-102 ⓘ	381-M-25	[4.00] 101,6					
381103-127 ⓘ	381-M-50	[5.00] 127					
381103-178 ⓘ	381-M-100	[7.00] 177,8					Stainless Steel
381903	381-SS	[3.00] 76,2					
381903-102 ⓘ	381-SS-M-25	[4.00] 101,6					
381903-127 ⓘ	381-SS-M-50	[5.00] 127					
381903-178 ⓘ	381-SS-M-100	[7.00] 177,8					

ⓘ This item is available upon request.





Series 323, 331, 341 Product Overview

Features:

- U-hook style latch clamps are supplied with threaded U-hooks for easy adjustment
- Supplied with latch plate and patented thumb control lever for one handed operation
- DE-STA-CO® Toggle Lock Plus versions available
- Stainless steel version available as **-SS** models

Applications:

- Molding
- Closures for doors, lids, covers
- Assembly

Also Available:

- Clamps with longer hooks available Upon Request that are 25mm, 50mm, 100mm longer than standard length
- To order clamp with longer hook, add **-M-25**, **-M-50**, or **-M-100** to the end of the model. Example: 323-**M-50**

Covered under one year or more U.S./International Patents

323
323-SS



323-R
323-RSS
with DE-STA-CO®
Toggle Lock
Plus



331
331-SS



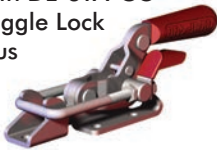
331-R
331-RSS
with
DE-STA-CO®
Toggle Lock
Plus



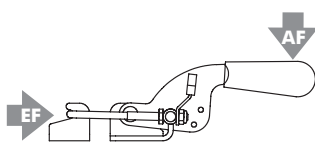
341
341-SS



341-R
341-RSS
with DE-STA-CO®
Toggle Lock
Plus



Series 323, 331, 341 Technical Information, Holding Capacities

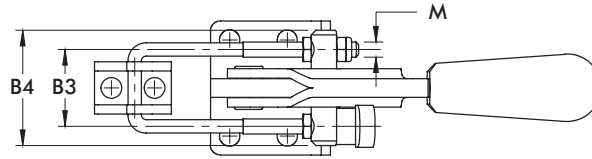


Model	Max. Holding Capacity	Weight	EF:AF	Drawing Movement	Latch Plate (Supplied)	Replacement Hook Assembly	Hook Adj. Range
323				30 [1.18]	323104-M	323103-M	[0.36] 9,1
323-SS	1600 N [360 lbf]	0,07kg [0.15lb]	27:1	29,7 [1.17]	323104-MSS	323103-MSS	
323-R					323104-M	323103-M	
323-RSS			323104-MSS	323103-MSS			
331				44,5 [1.75]	331005	331006	[0.87] 22,1
331-SS	3200 N [720 lbf]	0,25kg [0.56lb]	32:1		331905	331906	
331-R					331005	331006	
331-RSS			331905	331906			
341				63,5 [2.50]	341005	341006	[0.97] 24,6
341-SS	8900 N [2000 lbf]	0,65kg [1.43lb]	29:1		341905	341906	
341-R					341005	341006	
341-RSS			341905	341906			

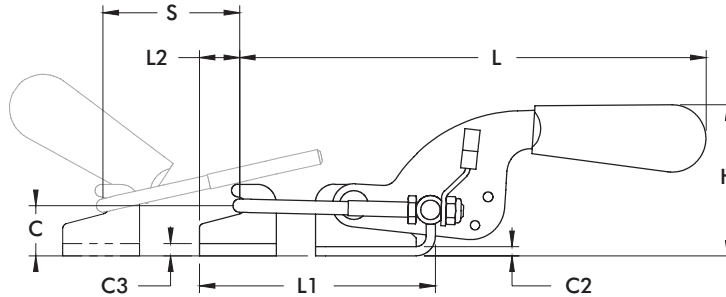
EF = Exerting Force, AF = Applied Force

Series **323, 323-R, 331, 341** Standard Clamp Dimensions
 323/331/341/-SS/-R/-RSS

323
 323-SS



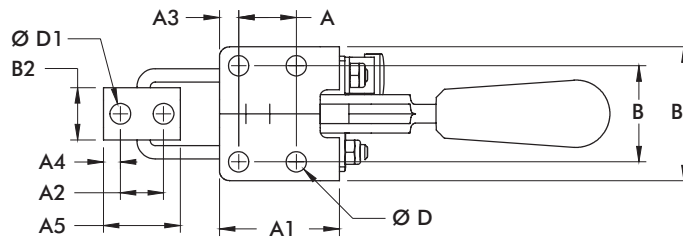
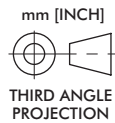
323-R
 323-RSS
 with DE-STA-CO®
 Toggle Lock
 Plus



331
 331-SS



341
 341-SS

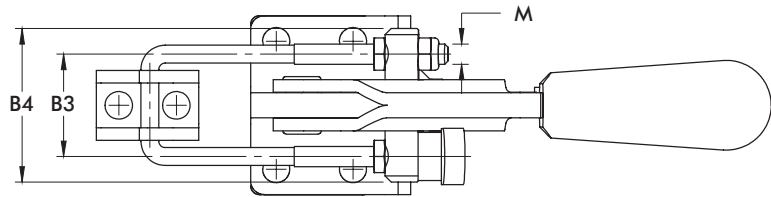


Model	A	A1	A2	A3	A4	A5	B	B1	B2	B3	B4	C	C2
323													
323-SS	[0.63]	[1.02]	[0.39]	[0.20]	[0.24]	[0.79]	[0.75]	[1.10]	[0.52]	[0.75]	[1.10]	[0.47]	[0.08]
323-R	16	26	10	5	6	20	19	28	13,2	19,1	28	12	2
323-RSS													
331	[0.75]	[1.56]	[0.56]	[0.25]	[0.22]	[1.00]	[1.25]	[1.74]	[0.68]	[1.00]	[1.50]	[0.66]	[0.12]
331-SS	19,1	39,7	14,3	6,4	5,6	25,4	31,8	44,3	17,3	25,4	38,1	16,7	3,1
341	[1.63]	[2.38]	[0.75]	[0.38]	[0.38]	[1.50]	[1.50]	[2.12]	[1.19]	[1.75]	[2.38]	[0.94]	[0.16]
341-SS	41,3	60,5	19,1	9,7	9,5	38,1	38,1	53,8	30,1	44,5	60,5	23,8	4

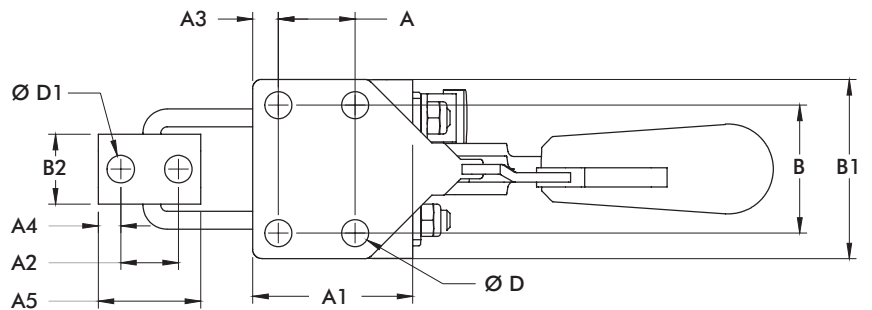
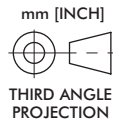
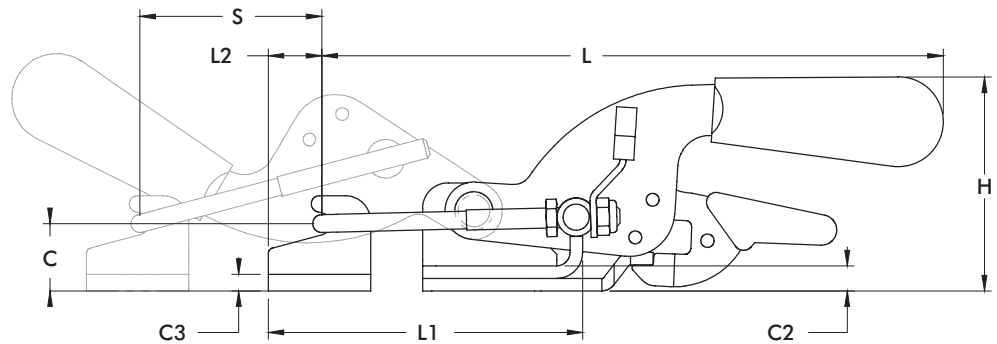
Model	C3	ØD	ØD2	H	L	L1 MAX	L2	M	S
323									
323-SS	[0.08]	[0.17]	[0.17]	[1.19]	[3.88]	[2.32]	[0.37]		[1.18]
323-R	2	4,2	4,2	30,3	98,6	58,9	9,3	M4	30
323-RSS									
331	[0.12]	[0.27]	[0.27]	[1.97]	[6.07]	[3.07]	[0.52]		[1.75]
331-SS	3,1	6,7	6,9	50	154,2	78	13,3	M5	45,5
341	[0.16]	[0.33]	[0.33]	[2.89]	[8.20]	[4.59]	[0.75]		[2.50]
341-SS	4	8,5	8,5	73,4	208,3	116,6	19,1	M8	63,5

Series **331-R**, **341-R** Standard Clamp Dimensions
-R/-RSS

331-R
331-RSS
with
DE-STA-CO®
Toggle Lock
Plus



341-R
341-RSS
with DE-STA-CO®
Toggle Lock
Plus



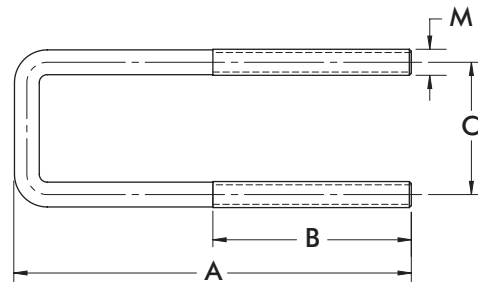
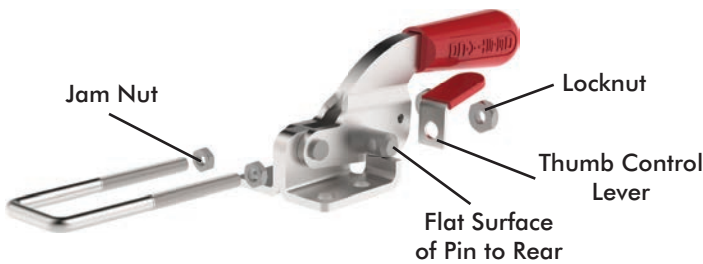
Model	A	A1	A2	A3	A4	A5	B	B1	B2	B3	B4	C	C2
331-R	[0.75]	[1.56]	[0.56]	[0.25]	[0.22]	[1.00]	[1.25]	[1.74]	[0.68]	[1.00]	[1.50]	[0.66]	[0.12]
331-RSS	19,1	39,7	14,3	6,4	5,6	25,4	31,8	44,3	17,3	25,4	38,1	16,7	3,1
341-R	[1.63]	[2.38]	[0.75]	[0.38]	[0.38]	[1.50]	[1.50]	[2.12]	[1.19]	[1.75]	[2.38]	[0.94]	[0.16]
341-RSS	41,3	60,5	19,1	9,7	9,5	38,1	38,1	53,8	30,1	44,5	60,5	23,8	4

Model	C3	ØD	ØD2	H	L	L1 MAX	L2	M	S
331-R	[0.12]	[0.27]	[0.27]	[2.01]	[6.07]	[3.07]	[0.52]		[1.75]
331-RSS	3,1	6,7	6,9	53,1	154,2	78	13,3	M5	45,5
341-R	[0.16]	[0.33]	[0.33]	[2.89]	[8.20]	[5.24]	[0.77]		[2.50]
341-RSS	4	8,5	8,5	73,4	208,3	133,2	19,4	M8	63.5

Series 323, 331, 341 Replacement Hook Assembly Standard Dimensions

Replacement Hook Assembly	Used on Clamp Model	A	B	C	M	Material			
323103-M	323, 323-R	[2.12] 53,8	[0.94] 23,8	[0.75] 19,1	M4 x 0.7	Steel			
323103-M-79 ⓘ	323-M-25, 323-R-M-25	[3.12] 79,2							
323103-M-105 ⓘ	323-M-50, 323-R-M-50	[4.12] 104,6							
323103-M-155 ⓘ	323-M-100, 323-R-M-100	[6.12] 155,4							
323103-MSS	323-SS, 323-RSS	[2.12] 53,8				[1.50] 38,1	[1.00] 25,4	M5 x 0.8	Stainless Steel
323103-MSS-79 ⓘ	323-SS-M-25, 323-RSS-M-25	[3.12] 79,2							
323103-MSS-105 ⓘ	323-SS-M-50, 323-RSS-M-50	[4.12] 104,6							
323103-MSS-155 ⓘ	323-SS-M-100, 323-RSS-M-100	[6.12] 155,4							
331006	331, 331-R	[3.00] 76,2	[1.97] 50	[1.75] 44,5	M8 x 1.25	Steel			
331006-101 ⓘ	331-M-25, 331-R-M-25	[4.00] 101,6							
331006-127 ⓘ	331-M-50, 331-R-M-50	[5.00] 127							
331006-178 ⓘ	331-M-100, 331-R-M-100	[7.00] 177,8							
331906	331-SS, 331-RSS	[3.00] 76,2				[8.31] 211	[8.31] 211	Stainless Steel	
331906-101 ⓘ	331-SS-M-25, 331-RSS-M-25	[4.00] 101,6							
331906-127 ⓘ	331-SS-M-50, 331-RSS-M-50	[5.00] 127							
331906-178 ⓘ	331-SS-M-100, 331-RSS-M-100	[7.00] 177,8							
341006	341, 341-R	[4.31] 109,5	[8.31] 211	[8.31] 211	Stainless Steel				
341006-135 ⓘ	341-M-25, 341-R-M-25	[5.31] 135							
341006-160 ⓘ	341-M-50, 341-R-M-50	[6.31] 160,2							
341006-211 ⓘ	341-M-100, 341-R-M-100	[8.31] 211							
341906	341-SS, 341-RSS	[4.31] 109,5							
341906-135 ⓘ	341-SS-M-25, 341-RSS-M-25	[5.31] 135							
341906-160 ⓘ	341-SS-M-50, 341-RSS-M-50	[6.31] 160,2							
341906-211 ⓘ	341-SS-M-100, 341-RSS-M-100	[8.31] 211							

ⓘ This item is available upon request.



For added convenience, DE-STA-CO Pull Action Toggle Clamps are supplied with a thumb control lever that allows the clamp to be operated with one hand.

Replacement Thumb Control Lever	Used on Clamp Model
324-ZB1	323, 323-SS
330-ZB1	331, 331-SS 331-R, 331-RSS
341-ZB1	341, 341-SS 341-R, 341-RSS



Series 375 Product Overview

Features:

- Heavy duty U-hook style latch clamps are supplied with threaded U-hooks for easy adjustment
- Supplied patented thumb control lever for one handed operation
- DE-STA-CO® Toggle Lock Plus versions available

Applications:

- Molding
- Closures for doors, lids, covers
- Assembly

Also Available:

- Clamps with longer hooks available Upon Request that are 25mm, 50mm, 100mm longer than standard length
- To order clamp with longer hook, add **-M-25**, **-M-50**, or **-M-100** to the end of the model. Example: 375-**M-50**

Covered under one year or more U.S./International Patents

375



375-R

with DE-STA-CO® Toggle Lock Plus



375-B

Weld-on Mounting



375-BR^①

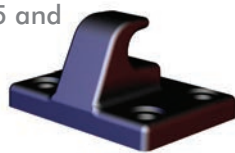
Weld-on Mounting with DE-STA-CO® Toggle Lock Plus



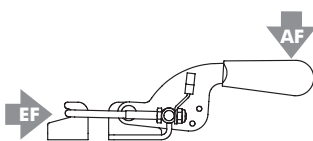
375509
Cleat



385102
Optional Latch Plate for 375 and 375-R



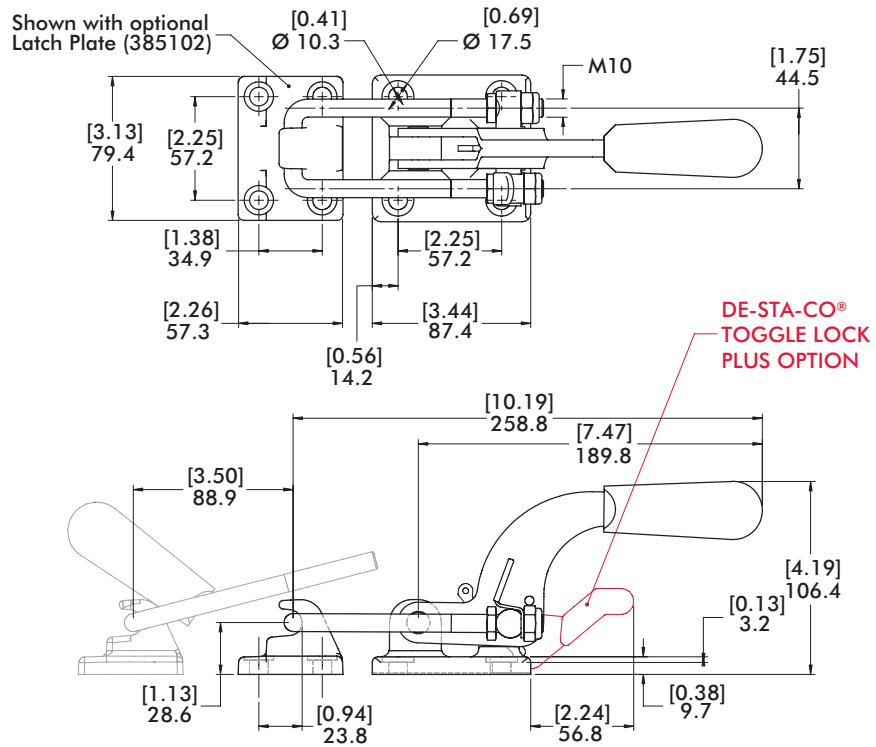
Series 375 Technical Information, Holding Capacities



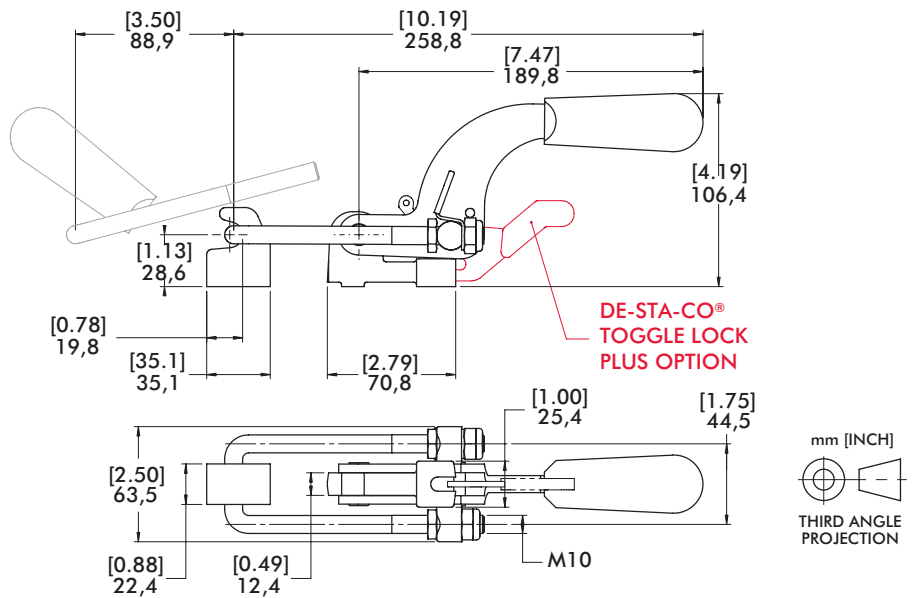
Model	Max. Holding Capacity	Weight	EF:AF	Drawing Movement	Latch Plate	Replacement Hook Assembly	Hook Adj. Range
375	[4000 lbf] 17800 N	[2.94lb] 1,33kg	44:1	88,9 [3.50]	385102 (Optional)	375204	[0.81] 20,5
375-R		[3.0lb] 1,36kg					
375-B		[2.56lb] 1,16kg			375509 (Supplied)		
375-BR ^①		[2.62lb] 1,19kg					

^① This item is available upon request. EF = Exerting Force, AF = Applied Force

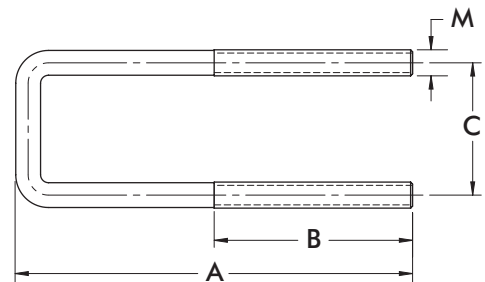
Series 375, 375-R Standard Clamp Dimensions



Series 375-B, 375-BR Standard Clamp Dimensions



Replacement Hook Assembly	A	B	C	M
375204	[5.72] 145	50,8 [2.00]	[1.75] 44,5	M10 x 1.50





Series 385 Product Overview

Features:

- Heavy duty U-hook style latch clamps are supplied with threaded U-hooks for easy adjustment
- Supplied with patented thumb control lever for one handed operation
- DE-STA-CO® Toggle Lock Plus versions available

Applications:

- Molding
- Closures for doors, lids, covers
- Assembly

Also Available:

- Clamps with longer hooks available Upon Request that are 25mm, 50mm, 100mm longer than standard length
- To order clamp with longer hook, add **-M-25**, **-M-50**, or **-M-100** to the end of the model. Example: 385-**M-50**

Covered under one year or more U.S./International Patents

385



385-**R** with DE-STA-CO® Toggle Lock Plus



385-**L** Low Profile Handle



385-**V2A** ⓘ Stainless Steel



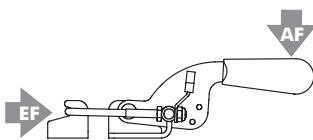
375509 Cleat



385102 Optional Latch Plate for 385, 385-R and 385-L



Series 385 Technical Information, Holding Capacities



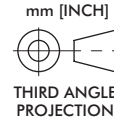
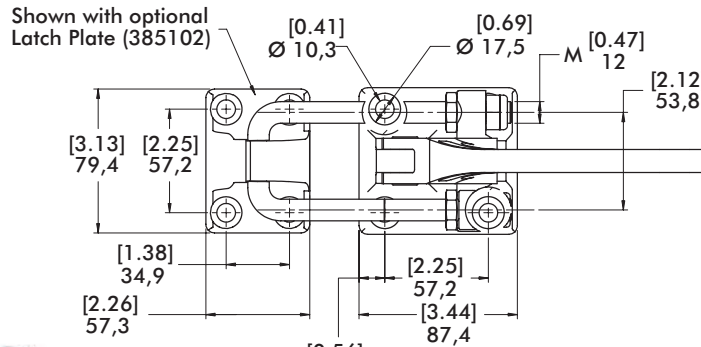
Model	Max. Holding Capacity	Weight	EF:AF	Drawing Movement	Latch Plate	Replacement Hook Assembly	Hook Adj. Range
385		[3.3lb] 1,50kg					
385-R	[7500 lbf] 33300 N	[3.4lb] 1,54kg	44:1	55,6 [2.19]	385102 (Optional)	385104	[1.36] 34,5
385-L		[3.3lb] 1,50kg			375509 (Optional)		
385-V2A ⓘ	[6000 lbf] 26700 N				Supplied	ⓘ 385904	[1.77] 45

ⓘ This item is available upon request. EF = Exerting Force, AF = Applied Force

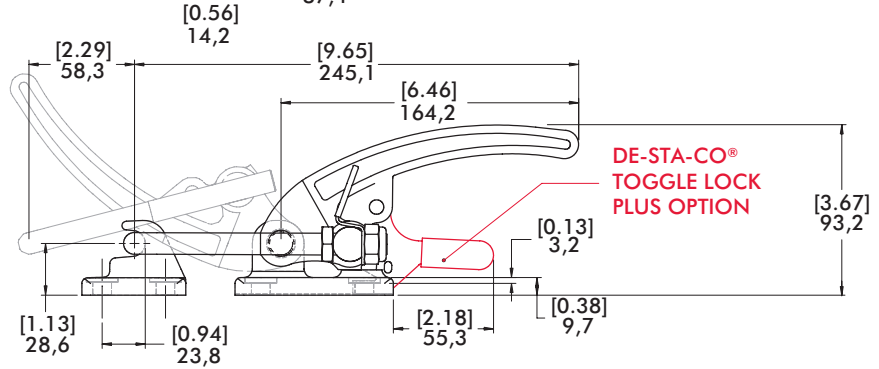
Series 385, 385-R Standard Clamp Dimensions



385

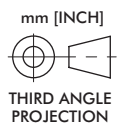
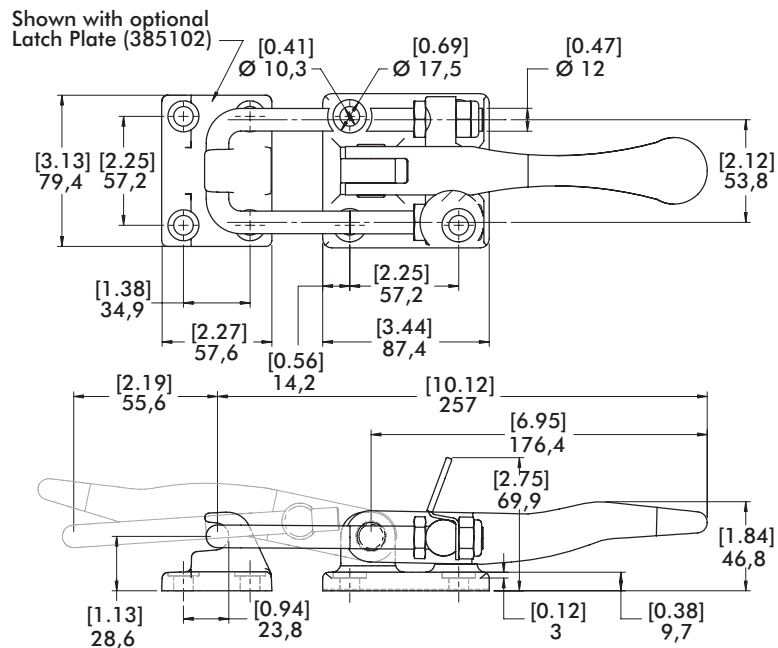


385-R
with DE-STA-CO®
Toggle Lock
Plus



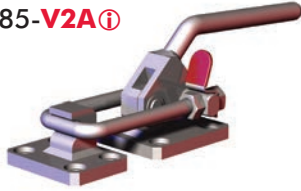
Series 385-L Standard Clamp Dimensions

385-L
Low Profile
Handle

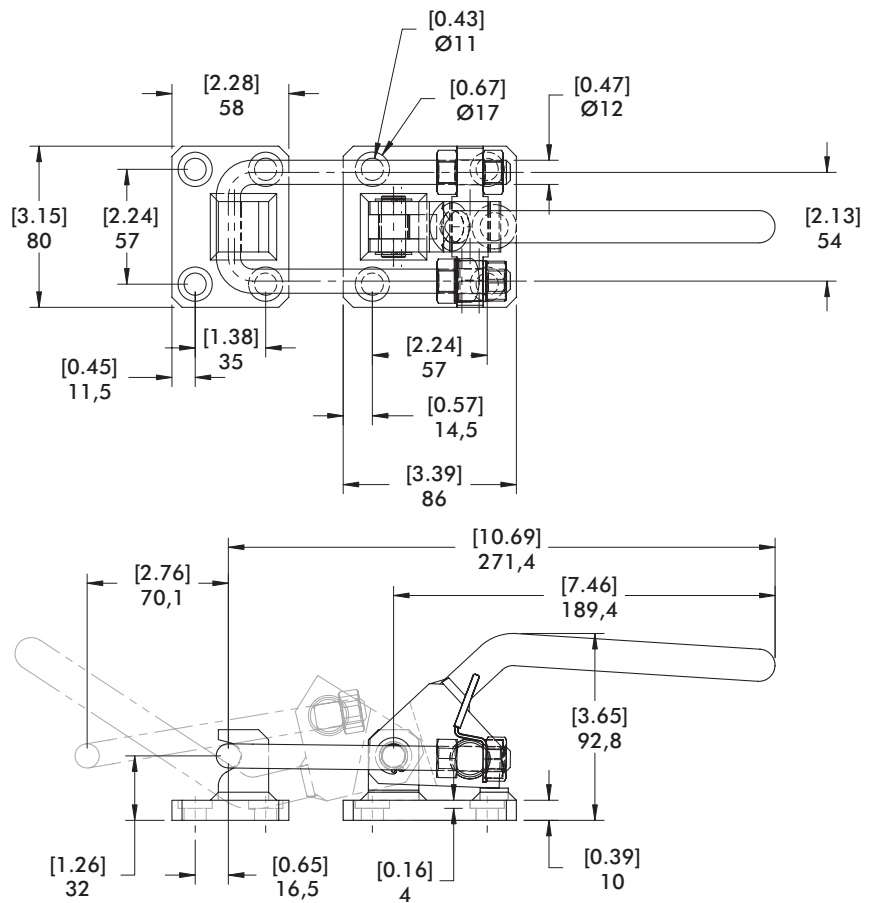


Series 385-V2A Standard Clamp Dimensions

385-V2A ⓘ



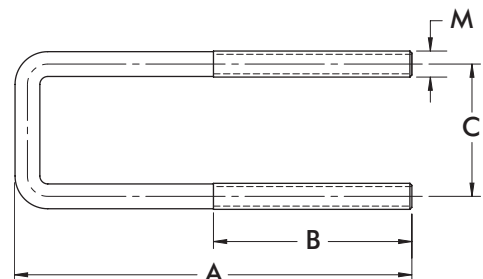
ⓘ This item is available upon request



Replacement Hook Assembly	Used on Clamp Model	A	B	C	M	Material
385104	385, 385-R, 385-L	[5.72] 145,3				Steel
385104-171 ⓘ	385-M-25, 385-R-M-25 385-L-M-25	[6.72] 170,7				
385104-196 ⓘ	385-M-50, 385-R-M-50 385-L-M-50	[7.72] 196				
385104-247 ⓘ	385-M-100, 385-R-M-100 385-L-M-100	[9.72] 247	[2.75] 70	[2.12] 53,8	M12 x 1.75	Stainless Steel
385904	385-V2A	[5.72] 145,3				
385904-171 ⓘ	385-V2A-M-25	[6.72] 170,7				
385904-196 ⓘ	385-V2A-M-50	[7.72] 196				
385904-247 ⓘ	385-V2A-M-100	[9.72] 247				

ⓘ This item is available upon request.

Replacement Thumb Control Lever	Used on Clamp Model
375-ZB1	375, 375-B 375-R, 375-BR
385-ZB1	385, 385-R 385-L, 385-V2A



Series 324, 334, 344, 374 Product Overview

Features:

- U-hook style latch clamps supplied with threaded U-hooks for easy adjustment
- Supplied with latch plate (except 374) and patented thumb control lever for one handed operation.
- DE-STA-CO® Toggle Lock Plus versions available
- Stainless steel available as **-SS** models.

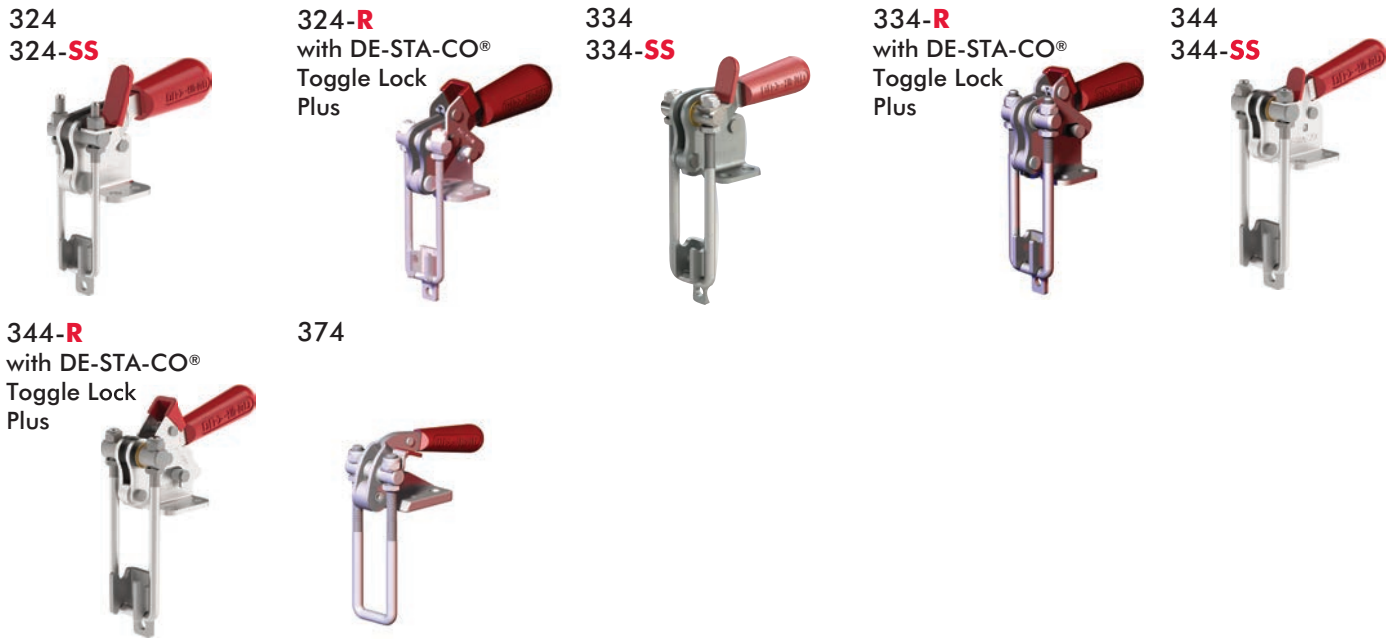
Applications:

- Molding
- Closures for doors, lids, covers
- Assembly

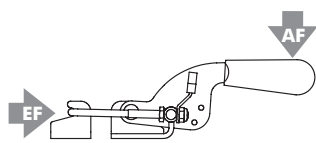
Also Available:

- Clamps with longer hooks available Upon Request that are 25mm, 50mm, 100mm longer than standard length
- To order clamp with longer hook, add **-M-25**, **-M-50**, or **-M-100** to the end of the model. Example: 324-**M-50**

Covered under one year or more U.S./International Patents



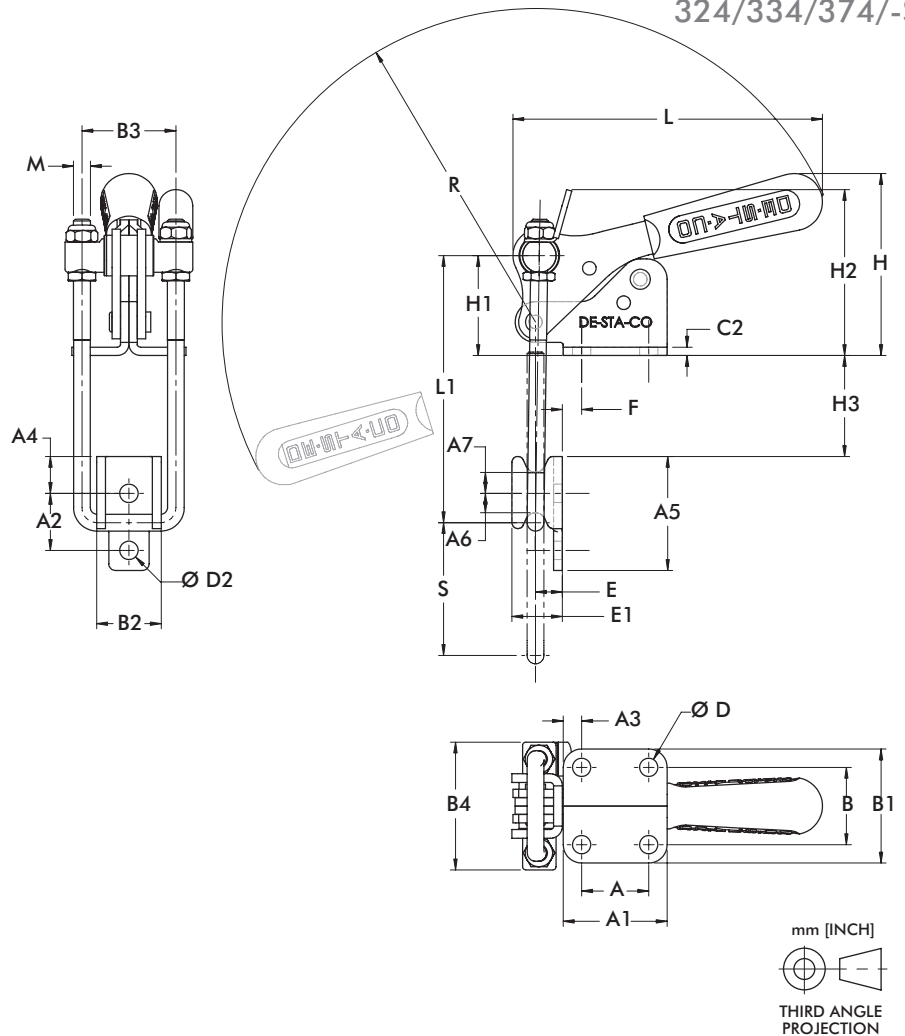
Series 324, 334, 344, 374 Technical Information, Holding Capacities



Model	Max. Holding Capacity	Weight	EF:AF	(S) Drawing Movement	Latch Plate (Supplied)	Replacement Hook Assembly	Hook Adj. Range
324	[500 lbf] 2200 N	[0.25lb] 0,11kg	31:1	38,7 [1.53]	324101	324215	11.9 [0.47]
324-SS					324901	324915	
324-R					324101	324215	
334	[1000 lbf] 4450 N	[0.60lb] 0,27kg	31:1	51,7 [2.04]	334101	334915	19.3 [0.76]
334-SS					334901	334915	
334-R					334101	334215	
344	[2000 lbf] 8900 N	[1.50lb] 0,68kg	45:1	62,4 [2.46]	344101	344215	31 [1.22]
344-SS					344901	344915	
344-R					344101	344215	
374	[4000 lbf] 17800 N	[2.10lb] 0,95kg	36:1	44,5 [1.75]	None*	374215	53.8 [2.12]

EF = Exerting Force, AF = Applied Force *375509 Latch Plate may be used as an alternate.

Series **324, 334, 344, 374** Standard Clamp Dimensions
324/334/374/-SS

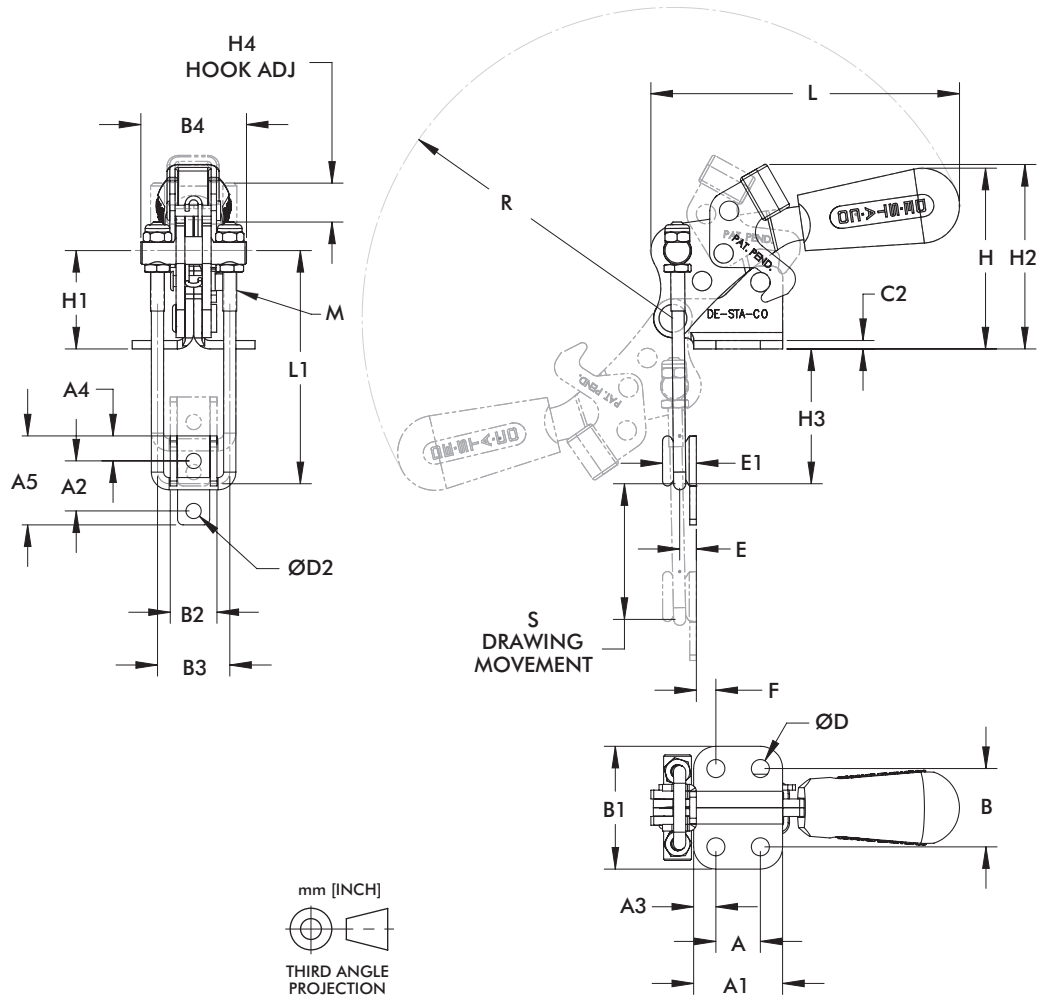


mm [INCH]
THIRD ANGLE PROJECTION

Model	A	A1	A2	A3	A4	A5	A6	A7	B	B1	B2	B3	B4	C2
324	[0.50]	[1.00]	[0.56]	[0.25]	[0.28]	[1.00]	[0.19]	[0.19]	[0.88]	[1.38]	[0.53]	[0.81]	[1.19]	[0.09]
324-SS	12,7	25,4	14,2	6,4	7,1	25,4	4,8	4,8	22,4	35,1	13,5	20,7	30,2	2,4
334	[0.75]	[1.31]	[0.81]	[0.28]	[0.41]	[1.50]	[0.28]	[0.28]	[1.00]	[1.56]	[0.68]	[1.13]	[1.63]	[0.12]
334-SS	19,1	33,3	20,6	7,1	10,4	38,1	7,1	7,1	25,4	39,6	17,4	28,7	41,4	3,1
344	[1.25] 31,8	[1.94]	[1.06]	[0.35]	[0.69]	[2.13]	[0.36]	[0.39]	[1.44]	[2.12]	[1.20]	[1.75] 44,5	[2.38]	[0.16]
344-SS		49,3	27	8,0	17,5	54	9,1	9,9	36,6	53,8	30,6		60,5	4
374		[2.43]	--	[0.68]	--	--	--	--	[1.50]	[2.50]	--		[2.36]	[0.37]
		61,7		17,3					38,1	63,5			60	9,4

Model	ØD	ØD2	F	H	H1	H2	H3	E	E1	L	L1 MAX	R	M	S
324	[0.20]	[0.17]	[0.25]	[1.91]	[1.10]	[1.97]	[0.92]	[0.19]	[0.38]	[3.49]	[2.56]	[3.49]	M4	[1.53]
324-SS	5,1	4,3	6,4	48,5	28	50,1	[23,4]	4,4	9,7	88,7	65,1	88,8 _a		38,7
334	[0.28]	[0.22]	[0.28]	[2,37]	[1.55]	[2.68]	[1.34]	[0.35]	[0.63]	[4.10]	[3.70]	[4.12]	M6	[2.04]
334-SS	7,1	5,6	7,1	60,1	39,3	68	34	8,8	16	104,2	94	104,5		51,8
344	[0.34]	[0.34]	[0.35]	[3.39]	[1.86]	[7.09]	[1.73]	[0.50]	[0.94]	[5.77]	[5.00]	[5.84]	M8	[2.46]
344-SS	8,6	8,6	8,9	86,1	47,3	78,6	49,1	12,7	23,8	146,6	126,9	148,4		62,4
374	[0.41]	--	--	[2.38]	[1.36]	--	--	--	--	[6.60]	[6.04]	[6.04]	M10	[1,75]
	10,3			60,5	34,5					167,8	153,5	153,5		44,5

Series **324-R**, **334-R**, **344-R** Standard Clamp Dimensions
-R/-SS



mm [INCH]
THIRD ANGLE PROJECTION

Model	A	A1	A2	A3	A4	A5	B	B1	B2	B3	B4	C2	D
324-R	[.50] 12.7	[1.00] 25.4	[.56] 14.3	[.25] 6.4	[.28] 7.1	[1.00] 25.4	[0.88] 22.4	[1.38] 35.1	[.52] 13.3	[0.81] 20.6	[0.44] 11.1	[0.09] 2.4	[0.20] 5.2
334-R	[.75] 19.1	[1.38] 34.9	[.81] 20.6	[.27] 7.0	[.41] 10.3	[2.13] 54.0	[1.00] 25.4	[1.56] 39.6	[0.68] 17.3	[1.13] 28.6	[1.63] 41.3	[0.12] 3.1	[0.28] 7.1
344-R	[1.25] 31,8	[1.94] 49.1	[1.06] 27.0	[.34] 8.7	[0.69] 17,5	[2.13] 54	[1.44] 36,6	[2.13] 54	[1.21] 30,6	[1.75] 44,5	[2.38] 60,5	[0.16] 4	[0.34] 8.6

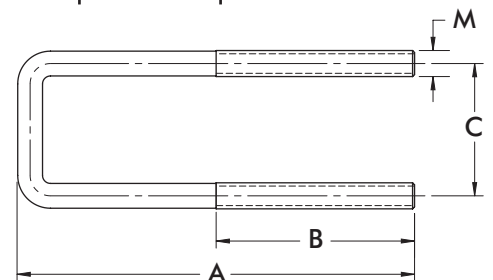
Model	D2	E	E1	F	H	H1	H2	H3	H4	L	L1	M	S	R
324-R	[0.17] 4.4	[0.20] 5.2	[0.17] 4.4	[0.22] 5.6	[2.03] 51.6	[1.11] 28.1	[2.07] 52.7	[1.52] 38.5	[.44] 11.1	[3.47] 88.1	[2.62] 66.6	M4	[1.53] 38.7	[3.49] 88.8
334-R	[0.22] 5.6	[0.35] 8.8	[0.63] 15.9	[0.18] 4.5	[2.37] 60.2	[1.55] 39.3	[2.55] 64.7	[2.22] 56.3	[0.86] 21.8	[4.12] 104.6	[3.76] 95.6	M6	[2.04] 51.7	[4.10] 104.2
344-R	[0.34] 8,7	[0.50] 12,7	[0.94] 23,9	[0.36] 9,1	[3.40] 86,5	[1.86] 47,3	[3.39] 86.0	[3.17] 80.8	[1.22] 31	[5.77] 146.5	[5.04] 128.0	M8	[2.46] 62.4	[5.90] 150

Series 324, 334, 344, 374 Replacement Hook Assembly Standard Dimensions

Replacement Hook Assembly	Used on Clamp Model	A	B	C	M	Material
324104	324 324-R	[3.00] 76				Steel
324104-102 ⓘ	324-M-25* 324-R-M-25*	[4.00] 101,6				
324104-127 ⓘ	324-M-50* 324-R-M-50*	[5.00] 127				
324104-178 ⓘ	324-M-100* 324-R-M-100*	[7.00] 178				
324904	334-SS	[3.00] 76	[1.00] 25,4	[0.81] 20,6	M4X0.7	Stainless Steel
324904-102 ⓘ	334-SS-M-25*	[4.00] 101,6				
324904-127 ⓘ	334-SS-M-50*	[5.00] 127				
324904-178 ⓘ	334-SS-M-100*	[7.00] 178				
334104	334 334-R	[4.31] 109,5	[1.50] 38,1	[1.13] 28,7	M6X1.0	Steel
334104-135 ⓘ	334-M-25* 334-R-M-25*	[5.31] 135				
334104-160 ⓘ	334-M-50* 334-R-M-50*	[6.31] 160,3				
334104-211 ⓘ	334-M-100* 334-R-M-100*	[8.31] 211				
334904	334-SS	[4.31] 109,5				Stainless Steel
334904-135 ⓘ	334-SS-M-25*	[5.31] 135				
334904-160 ⓘ	334-SS-M-50*	[6.31] 160,3				
334904-211 ⓘ	334-SS-M-100*	[8.31] 211				
344104	344 344-R	[5.81] 147,5	[2.25] 57,2	[1.75] 44,5	M8X1.25	Steel
344104-173 ⓘ	344-M-25* 344-R-M-25*	[6.81] 173				
344104-198 ⓘ	344-M-50* 344-R-M-50*	[7.81] 198,5				
344104-249 ⓘ	344-M-100* 344-R-M-100*	[9.81] 249,2				
344904	344-SS	[5.81] 147,5				Stainless Steel
344904-173 ⓘ	344-SS-M-25*	[6.81] 173				
344904-198 ⓘ	344-SS-M-50*	[7.81] 198,5				
344904-249 ⓘ	344-SS-M-100*	[9.81] 249,2				
374105	374	[6.50] 165	[3.25] 82,6		M10X1.50	Steel
374105-191 ⓘ	374-M-25*	[7.50] 190,5				
374105-216 ⓘ	374-M-50*	[8.50] 216				
374105-267 ⓘ	374-M-100*	[10.50] 266,5				

ⓘ This item is available upon request.

Replacement Thumb Control Lever	Used on Clamp Model
324-ZB1	324, 324-SS
334-ZB1	334, 334-SS
344-ZB1	344, 344-SS
375-ZB1	374



Series 301, 311 Product Overview

Features:

- Fixed stop automatically limits handle travel at various clamping positions once the clamp is installed
- Model 301 available in stainless steel as 301-SS

Applications:

- Molding
- Closures for doors, lids, covers
- Assembly

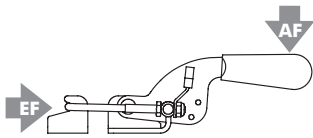
301
301-SS



311

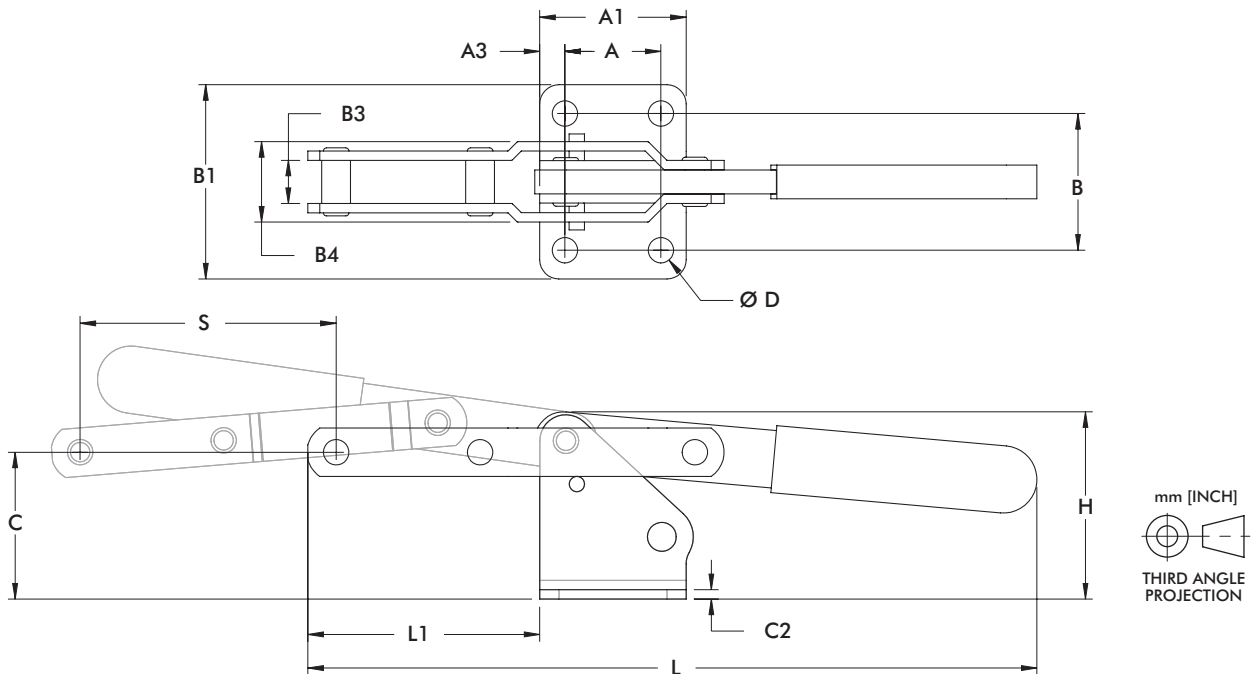


Series 301, 311 Technical Information, Holding Capacities, Standard Clamp Dimensions



Model	Max. Holding Capacity	Weight	EF:AF	Drawing Movement
301	1670 N [375 lbf]	0,32kg [0.70lb]	29:1	101,6 [4.00]
301-SS	2000 N [450 lbf]			
311	5340 N [1200 lbf]	0,53kg [1.16lb]	31:1	85,9 [3.38]

EF = Exerting Force, AF = Applied Force



Model	A	A1	A3	B	B1	B3	B4	C	C2	ØD	H	L	L1	S
301	[0.75]	[1.38]	[0.32]	[1.25]	[1.75]	[0.56]	[1.04]	[1.52]	[0.12]	[0.28]	[1.91]	[8.33]	[3.04]	[4.00]
301-SS	19,1	35,1	8	31,8	44,5	14,1	26,4	38,6	3,1	7,1	48,4	211,5	77,1	101,6
311	[1.25]	[1.91]	[0.33]	[1.78]	[2.53]	[0.56]	[1.05]	[1.91]	[0.12]	[0.33]	[2.44]	[9.49]	[3.02]	[3.88]
	31,8	48,4	8,3	45,2	64,3	14,3	26,6	48,6	3,1	8,4	61,9	241,2	76,7	85,9

Series 3011 Product Overview

Features:

- Heavy duty cast steel or stainless steel construction with ergonomic handle
- Replaceable stainless steel pivot pins

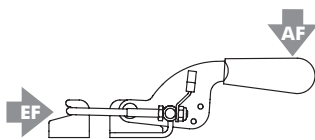
Applications:

- Molding
- Closures for doors, lids, covers
- Assembly

3011

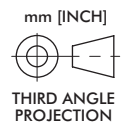
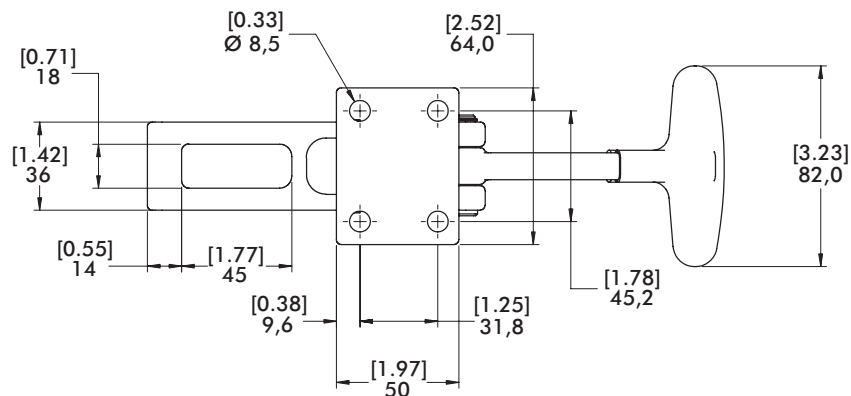
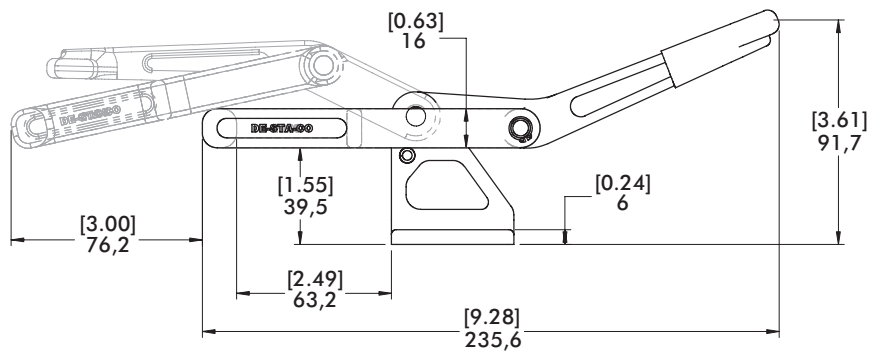


Series 3011 Technical Information, Holding Capacities, Standard Clamp Dimensions



Model	Max. Holding Capacity	Weight	EF:AF	Drawing Movement
3011	8900 N [2000 lbf]	0,91kg [2.00lb]	31:1	76,2 [3.00]

EF = Exerting Force, AF = Applied Force



Series 353 Product Overview

Features:

- Heavy duty cast steel clamps are designed to withstand the harshest environments
- Ideally suit for parting line clamping of rotational molds
- Replaceable stainless steel pivot pins

Applications:

- Molding
- Closures for doors, lids, covers

Also Available:

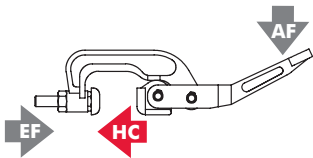
- Keeper plate
- Papered bolt assembly

353-35

353-65



Series 353 Technische Informationen, Abmessungen



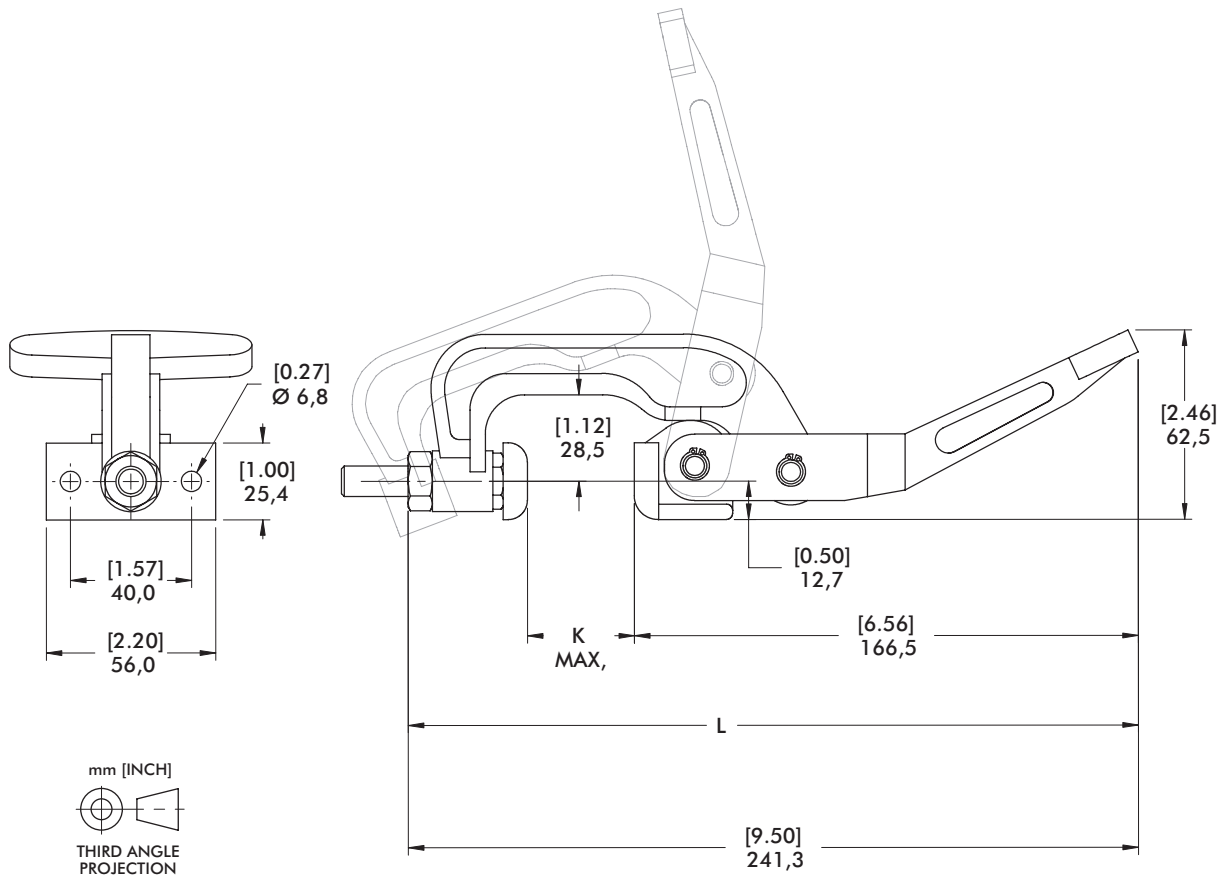
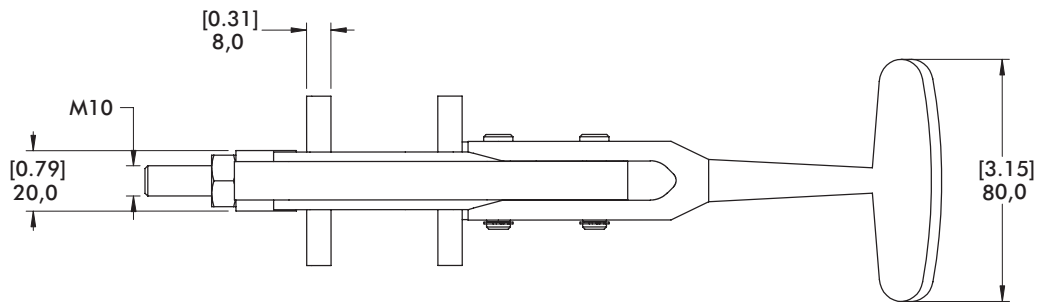
Model	Max. Holding Capacity	Weight	EF:AF	Drawing Movement	L	K	Keeper Plate (included)	Tapered Bolt Assembly (included)
353-35	[2800 lbf] 12460 N	[2.10lb] 0,95kg	23:1	12 [0.47]	[9.50] 241,5	[1.38] 35	353004	353908
353-65	[2100 lbf] 9350 N	[2.30lb] 1,04kg	27:1		[10.69] 271,5	[2.56] 65	353004	

EF = Exerting Force, AF = Applied Force

Series 353 Standard Clamp Dimensions

353-35

353-65



mm [INCH]
THIRD ANGLE PROJECTION