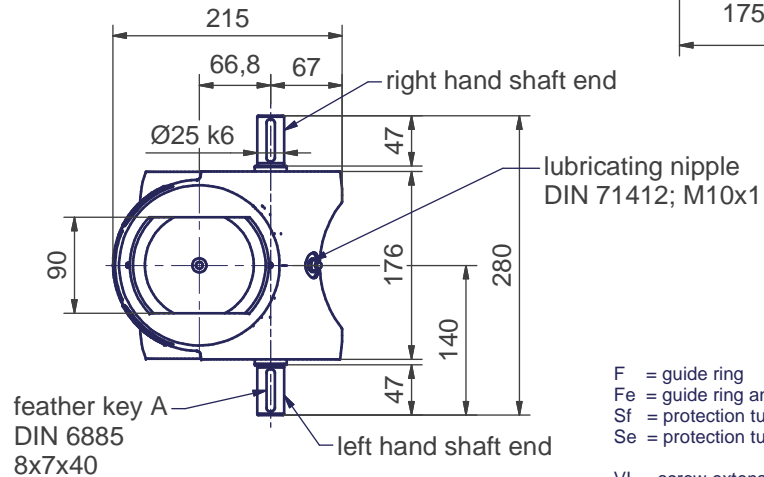


- materials:
- housing 1.4552
 - worm 1.4057
 - guide rings, limit stop CuZn37Mn3Al2PbSi
 - standard parts A2/A4
 - other parts 1.4571



F = guide ring
 Fe = guide ring and limit stop
 Sf = protection tube and guide ring
 Se = protection tube and limit stop

VL = screw extension
 screw jacks are supplied with two shaft ends as standard

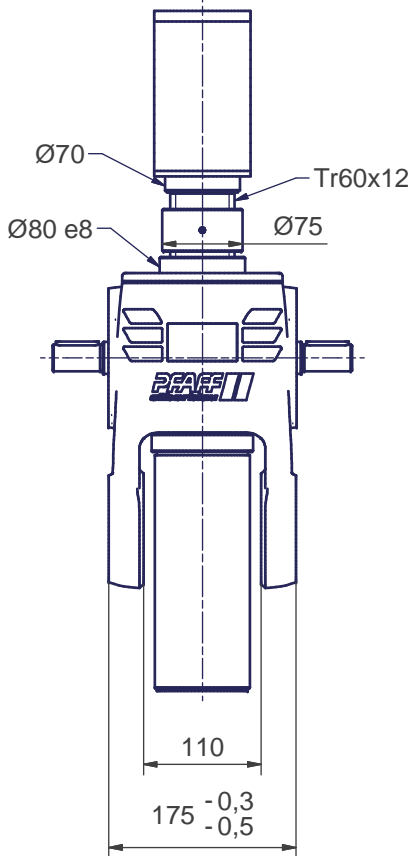
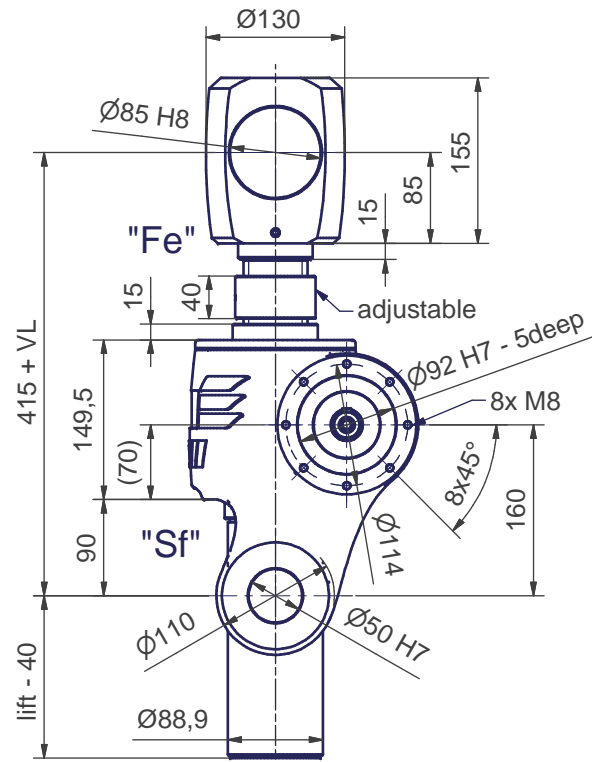
for detailed technical information and accessories please refer to our catalogue "Screw Jack Compendium" or visit our homepage www.pfaff-silberblau.com

Alle bestehenden oder zu erwerbenden Rechte am Inhalt dieses Dokuments, einschließlich Patent-, Urheber-, Gebrauchsmuster-, Geschmacksmuster- und Markenrechte sowie vertrauliche Informationen und Know-How, bleiben ausdrücklich dem ausschließlichen Inhaber Columbus McKinnon Engineered Products GmbH vorbehalten. Jeder Akt der unbefugten Vervielfältigung, Verbreitung oder sonstigen Nutzung ist untersagt und wird gerichtlich verfolgt.

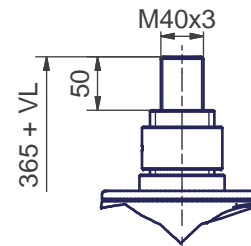
All rights to the content of this document, including patents, copyrights, utility models, designs, trademarks as well as confidential information and know how, existing or to obtain, are explicitly reserved to the exclusive owner Columbus McKinnon Engineered Products GmbH. All unauthorized acts of copying, distribution or any other kind of use is prohibited and will result in legal prosecution.

General DIN tolerances:		 COLUMBUS MCKINNON Engineered Products GmbH Am Silberpark 2-8, 86438 Kissing/Germany	Scale: 1:5	Weight kg: 49.863
			Material - Treatment:	
			Dimension: DIN	
			Art. Nr.-pref.:	Art. Nr.-blank.:
			SSP 15.1 type1 A - Fe/Se	
			head III, IV, IV-SSP	
			DNr. A13.16.109/000-3600BL02	
Change No.	Index	Date	Name	Replaced by:

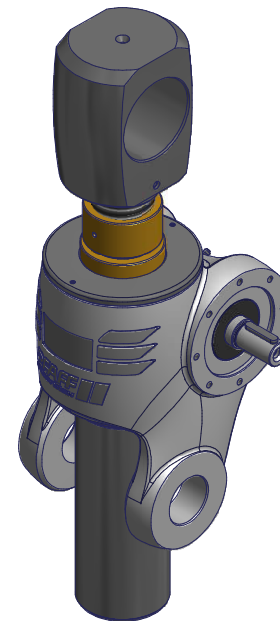
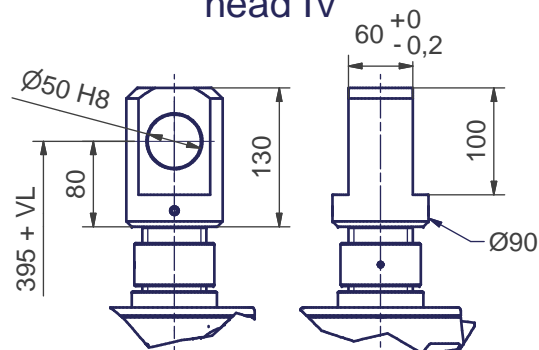
head IV-SSP



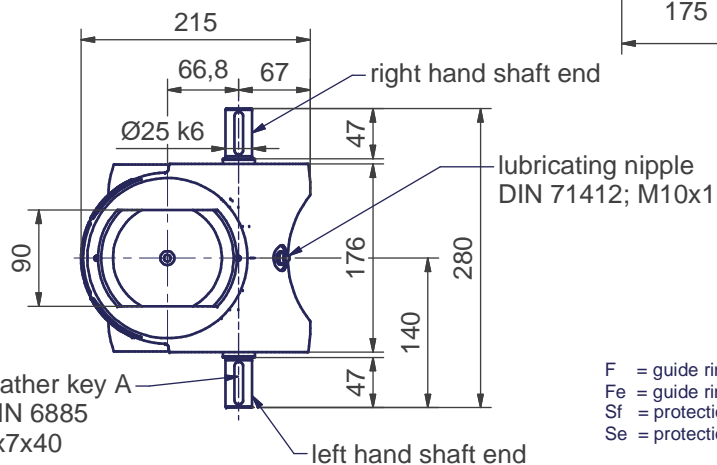
head III



head IV



- materials:
- housing 1.4552
 - worm 1.4057
 - guide rings, limit stop CuZn37Mn3Al2PbSi
 - standard parts A2/A4
 - other parts 1.4571



- F = guide ring
- Fe = guide ring and limit stop
- Sf = protection tube and guide ring
- Se = protection tube and limit stop

VL = screw extension
screw jacks are supplied with two shaft ends as standard

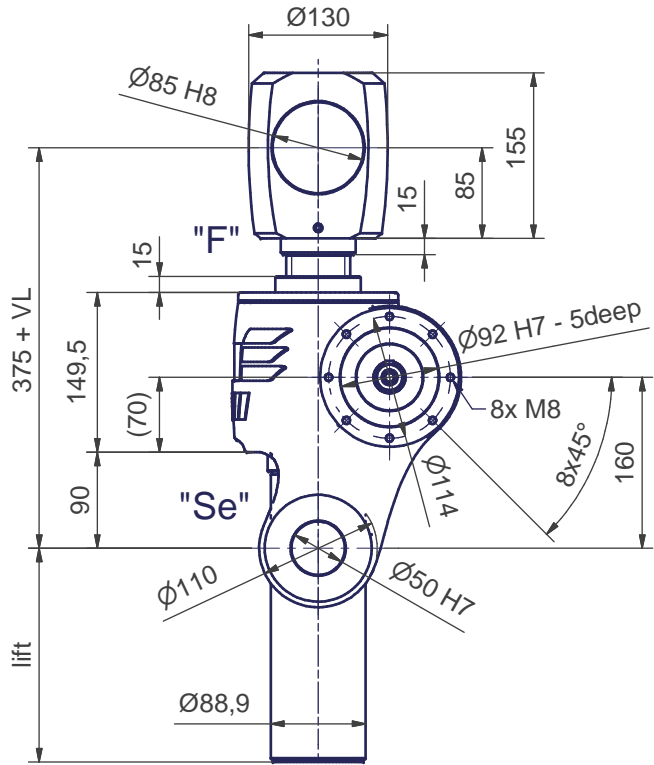
for detailed technical information and accessories please refer to our catalogue "Screw Jack Compendium" or visit our homepage www.pfaff-silberblau.com

Alle bestehenden oder zu erwerbenden Rechte am Inhalt dieses Dokuments, einschließlich Patent-, Urheber-, Gebrauchsmuster-, Geschmacksmuster- und Markenrechte sowie vertrauliche Informationen und Know-How, bleiben ausdrücklich dem ausschließlichen Inhaber Columbus McKinnon Engineered Products GmbH vorbehalten. Jeder Akt der unbefugten Vervielfältigung, Verbreitung oder sonstigen Nutzung ist untersagt und wird gerichtlich verfolgt.

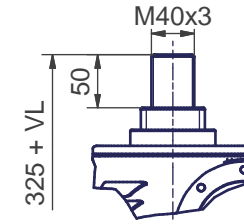
All rights to the content of this document, including patents, copyrights, utility models, designs, trademarks as well as confidential information and know-how, existing or to obtain, are explicitly reserved to the exclusive owner Columbus McKinnon Engineered Products GmbH. All unauthorized acts of copying, distribution or any other kind of use is prohibited and will result in legal prosecution.

General DIN tolerances:		 COLUMBUS MCKINNON Engineered Products GmbH Am Silberpark 2-8, 86438 Kissing/Germany	Scale: 1:5	Weight kg: 47.980								
			Material - Treatment:									
			Dimension: DIN									
			Art. Nr.-pref.:	Art. Nr.-blank.:								
		<table border="1"> <thead> <tr> <th>Date</th> <th>Name</th> </tr> </thead> <tbody> <tr> <td>21.09.12</td> <td>schmidth</td> </tr> <tr> <td>21.09.12</td> <td>wassermi</td> </tr> <tr> <td>last chck</td> <td></td> </tr> </tbody> </table>	Date	Name	21.09.12	schmidth	21.09.12	wassermi	last chck		SSP 15.1 type1 A - Fe/Sf head III, IV, IV-SSP	
Date	Name											
21.09.12	schmidth											
21.09.12	wassermi											
last chck												
		DNr. A13.16.109/000-3400BL02										
Change No.	Index	Date	Name	Replaced by:								

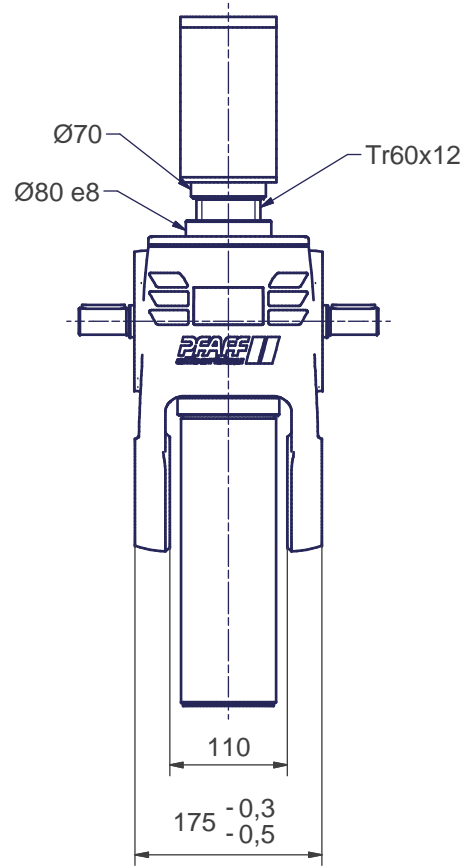
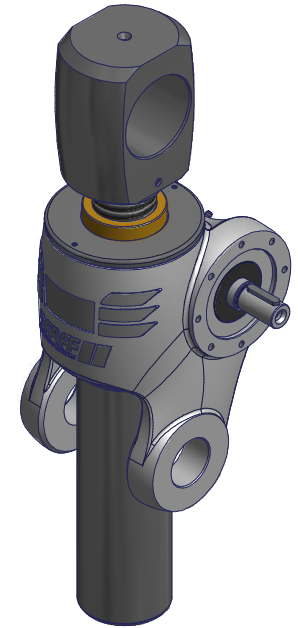
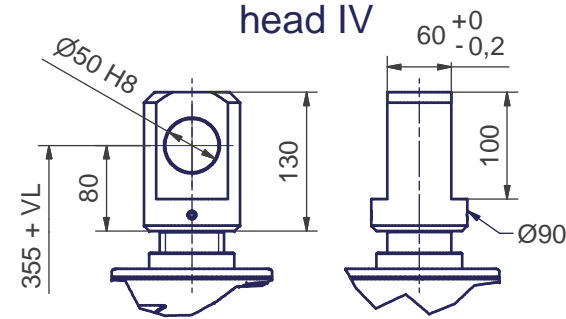
head IV-SSP



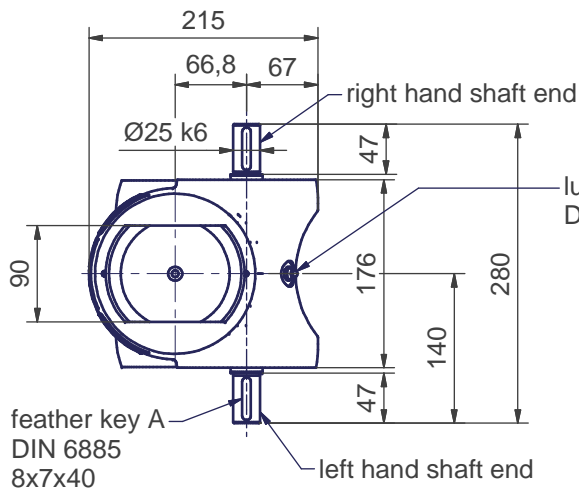
head III



head IV



- materials:
- housing 1.4552
 - worm 1.4057
 - guide rings CuZn37Mn3Al2PbSi
 - standard parts A2/A4
 - other parts 1.4571



lubricating nipple
DIN 71412; M10x1

F = guide ring
Fe = guide ring and limit stop
Sf = protection tube and guide ring
Se = protection tube and limit stop

VL = screw extension
screw jacks are supplied with two
shaft ends as standard

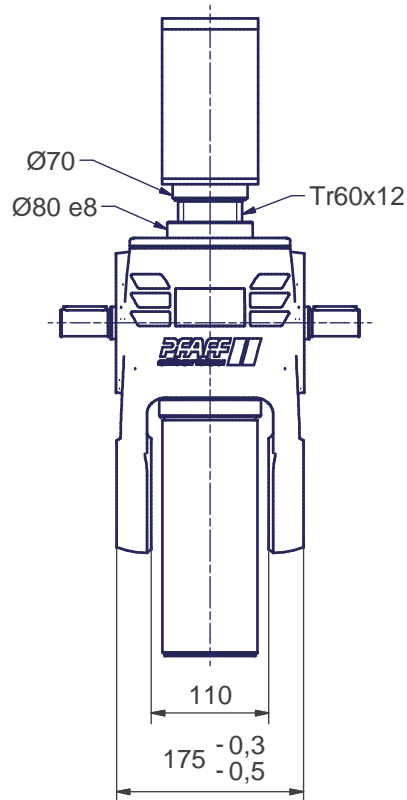
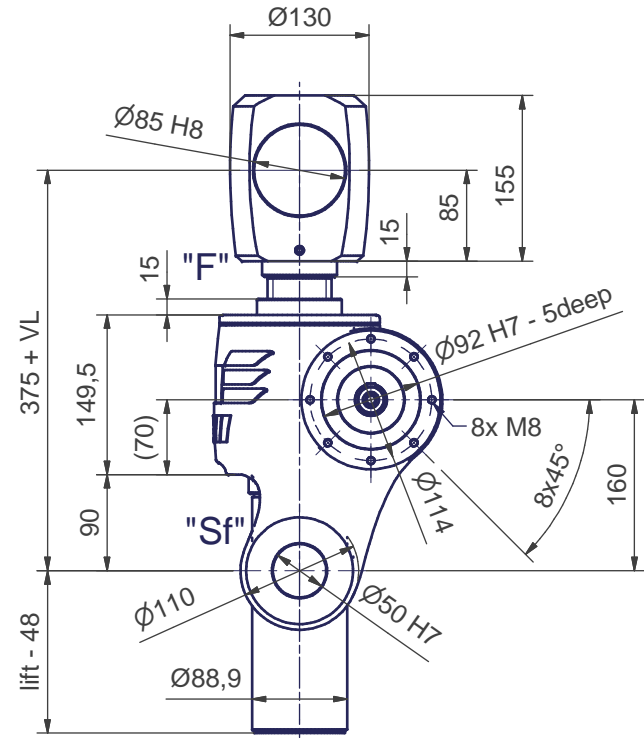
for detailed technical information and accessories please refer to our catalogue "Screw Jack Compendium" or visit our homepage www.pfaff-silberblau.com

Alle bestehenden oder zu erwerbenden Rechte am Inhalt dieses Dokuments, einschließlich Patent-, Urheber-, Gebrauchsmuster-, Geschmacksmuster- und Markenrechte sowie vertrauliche Informationen und Know-How, bleiben ausdrücklich dem ausschließlichen Inhaber Columbus McKinnon Engineered Products GmbH vorbehalten. Jeder Akt der unbefugten Vervielfältigung, Verbreitung oder sonstigen Nutzung ist untersagt und wird gerichtlich verfolgt.

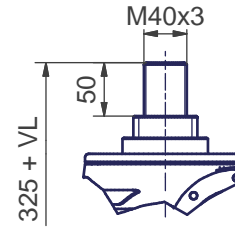
All rights to the content of this document, including patents, copyrights, utility models, designs, trademarks as well as confidential information and know how, existing or to obtain, are explicitly reserved to the exclusive owner Columbus McKinnon Engineered Products GmbH. All unauthorized acts of copying, distribution or any other kind of use is prohibited and will result in legal prosecution.

General DIN tolerances:		 COLUMBUS MCKINNON Engineered Products GmbH Am Silberpark 2-8, 86438 Kissing/Germany	Scale: 1:5	Weight kg: 48.136
			Material - Treatment:	
			Dimension: DIN	
			Art. Nr.-pref.:	Art. Nr.-blank.:
			SSP 15.1 type1 A - F/Se head III, IV, IV-SSP	
			DNr. A13.16.109/000-2800BL02	
Change No.	Index	Date	Name	Replacing:
				Replaced by:

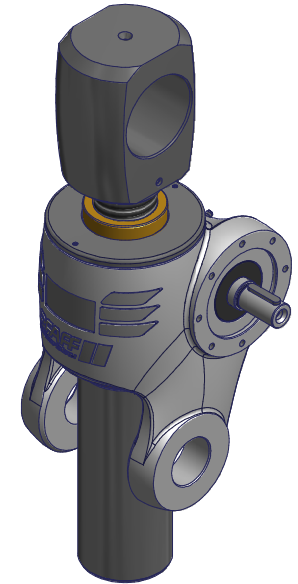
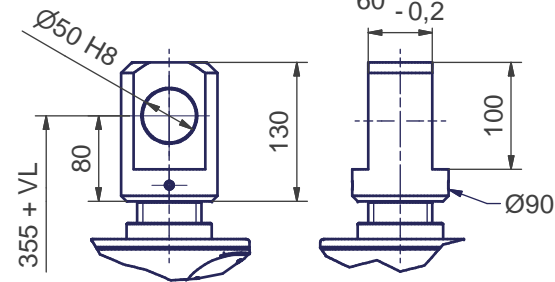
head IV-SSP



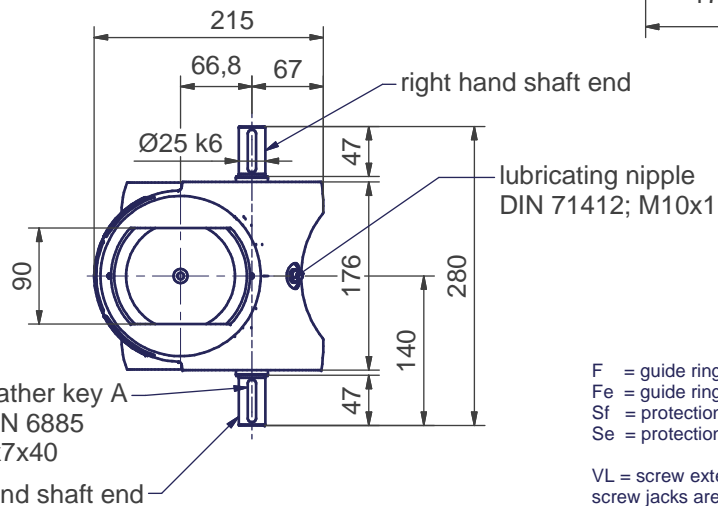
head III



head IV



- materials:
- housing 1.4552
 - worm 1.4057
 - guide rings CuZn37Mn3Al2PbSi
 - standard parts A2/A4
 - other parts 1.4571



- F = guide ring
 Fe = guide ring and limit stop
 Sf = protection tube and guide ring
 Se = protection tube and limit stop

VL = screw extension
 screw jacks are supplied with two shaft ends as standard

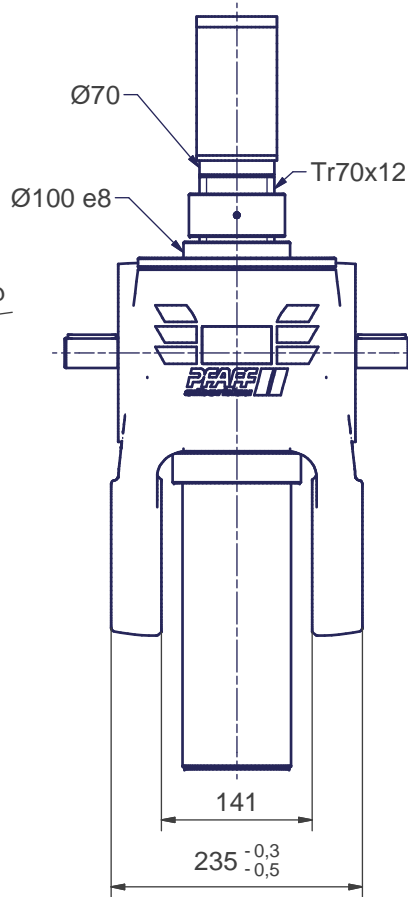
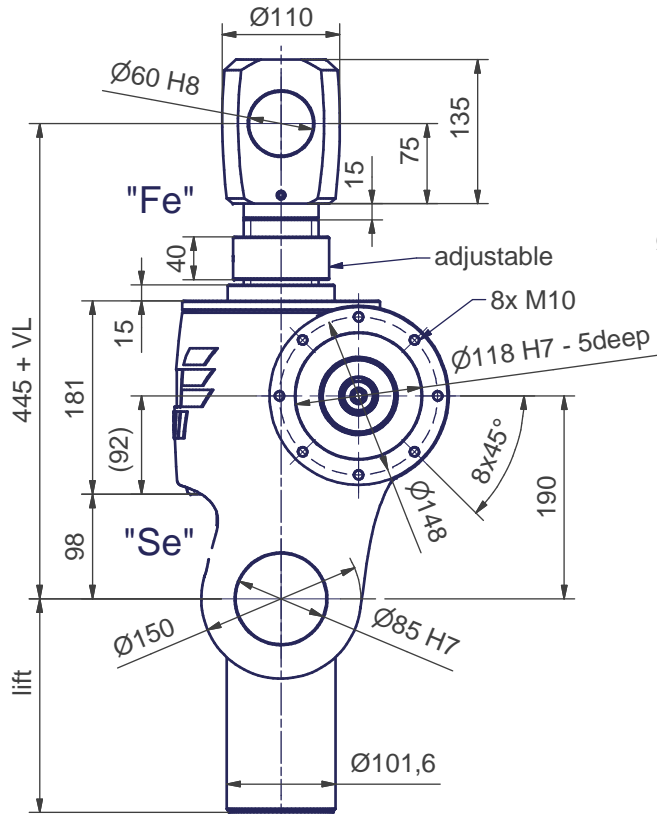
for detailed technical information and accessories please refer to our catalogue "Screw Jack Compendium" or visit our homepage www.pfaff-silberblau.com

Alle bestehenden oder zu erwerbenden Rechte am Inhalt dieses Dokuments, einschließlich Patent-, Urheber-, Gebrauchsmuster-, Geschmacksmuster- und Markenrechte sowie vertrauliche Informationen und Know-How, bleiben ausdrücklich dem ausschließlichen Inhaber Columbus McKinnon Engineered Products GmbH vorbehalten. Jeder Akt der unbefugten Vervielfältigung, Verbreitung oder sonstigen Nutzung ist untersagt und wird gerichtlich verfolgt.

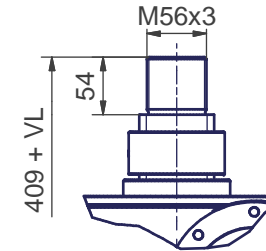
All rights to the content of this document, including patents, copyrights, utility models, designs, trademarks as well as confidential information and know how, existing or to obtain, are explicitly reserved to the exclusive owner Columbus McKinnon Engineered Products GmbH. All unauthorized acts of copying, distribution or any other kind of use is prohibited and will result in legal prosecution.

General DIN tolerances:		 COLUMBUS MCKINNON Engineered Products GmbH Am Silberpark 2-8, 86438 Kissing/Germany	Scale: 1:5	Weight kg: 46.252
			Material - Treatment:	
			Dimension: DIN	
			Art. Nr.-pref.:	Art. Nr.-blank.:
			SSP 15.1 type1 A - F/Sf	
			head III, IV, IV-SSP	
			DNr. A13.16.109/000-2600BL02	
Change No.	Index	Date	Name	Replacing:
				Replaced by:

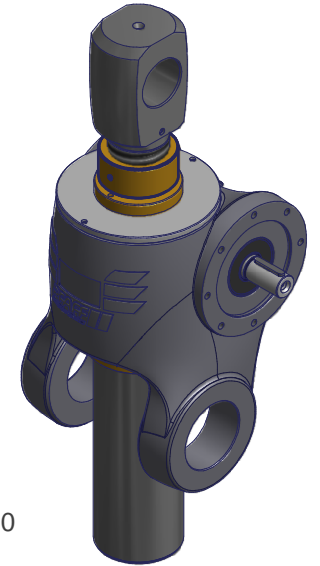
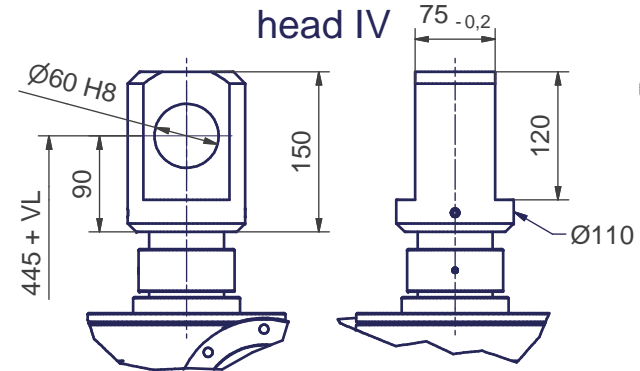
head IV-SSP



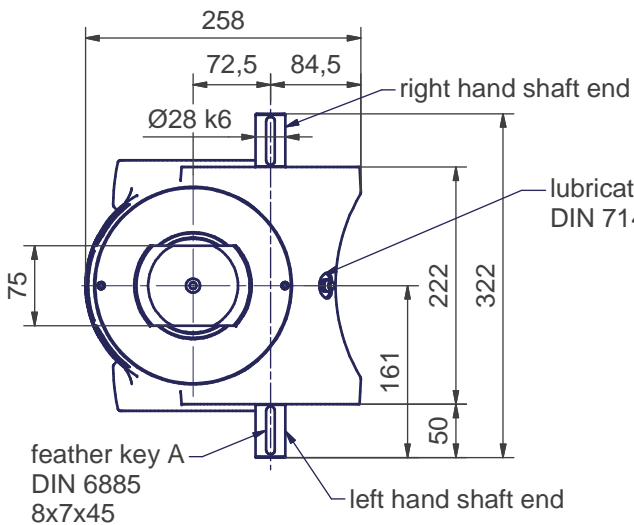
head III



head IV



- materials:
- housing 1.4552
 - worm 1.4057
 - guide rings, limit stop CuZn37Mn3Al2PbSi
 - standard parts A2/A4
 - other parts 1.4571



- F = guide ring
 Fe = guide ring and limit stop
 Sf = protection tube and guide ring
 Se = protection tube and limit stop

VL = screw extension
 screw jacks are supplied with two shaft ends as standard

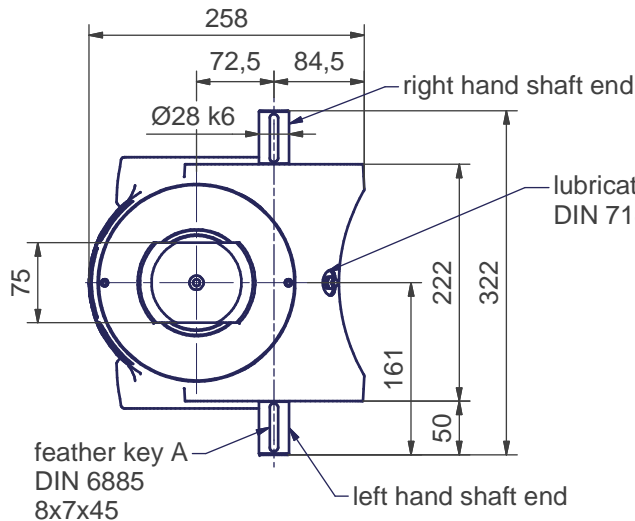
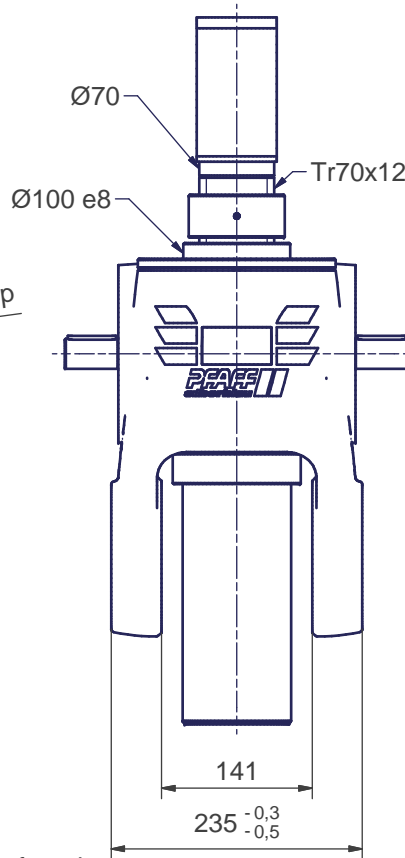
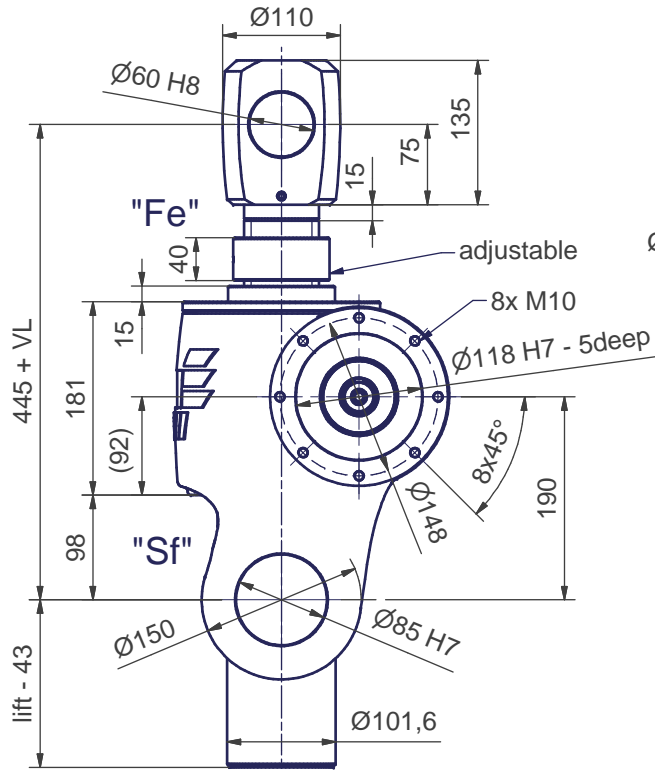
for detailed technical information and accessories please refer to our catalogue "Screw Jack Compendium" or visit our homepage www.pfaff-silberblau.com

Alle bestehenden oder zu erwerbenden Rechte am Inhalt dieses Dokuments, einschließlich Patent-, Urheber-, Gebrauchsmuster-, Geschmacksmuster- und Markenrechte sowie vertrauliche Informationen und Know-How, bleiben ausdrücklich dem ausschließlichen Inhaber Columbus McKinnon Engineered Products GmbH vorbehalten. Jeder Akt der unbefugten Vervielfältigung, Verbreitung oder sonstigen Nutzung ist untersagt und wird gerichtlich verfolgt.

All rights to the content of this document, including patents, copyrights, utility models, designs, trademarks as well as confidential information and know how, existing or to obtain, are explicitly reserved to the exclusive owner Columbus McKinnon Engineered Products GmbH. All unauthorized acts of copying, distribution or any other kind of use is prohibited and will result in legal prosecution.

General DIN tolerances:		 COLUMBUS MCKINNON Engineered Products GmbH Am Silberpark 2-8, 86438 Kissing/Germany	Scale: 1:2 (1:5)	Weight kg: 79.678
			Material - Treatment:	
			Dimension: DIN	
			Art. Nr.-pref.:	Art. Nr.-blank.:
			SSP 20.1 type1 A - Fe/Se	
			head III, IV, IV-SSP	
			DNr. A13.16.115/000-3600BL02	
Change No.	Index	Date	Name	Replaced by:

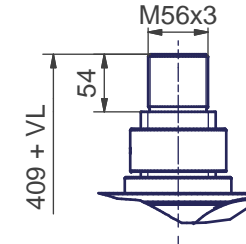
head IV-SSP



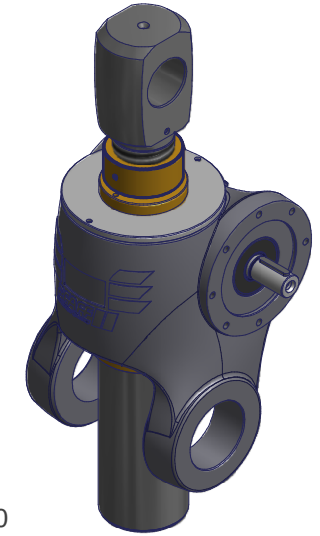
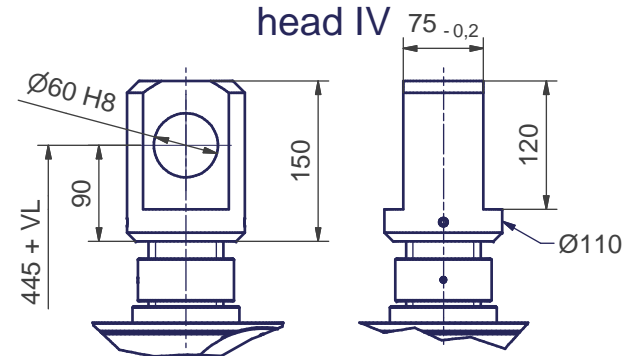
F = guide ring
 Fe = guide ring and limit stop
 Sf = protection tube and guide ring
 Se = protection tube and limit stop

VL = screw extension
 screw jacks are supplied with two shaft ends as standard

head III



head IV



- materials:
- housing 1.4552
 - worm 1.4057
 - guide rings, limit stop CuZn37Mn3Al2PbSi
 - standard parts A2/A4
 - other parts 1.4571

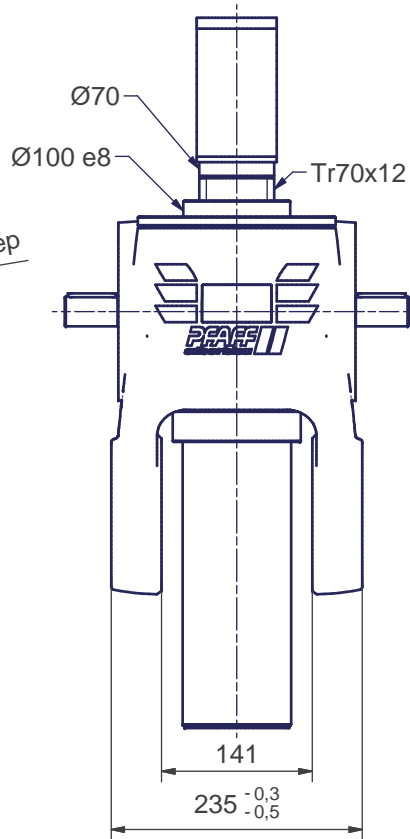
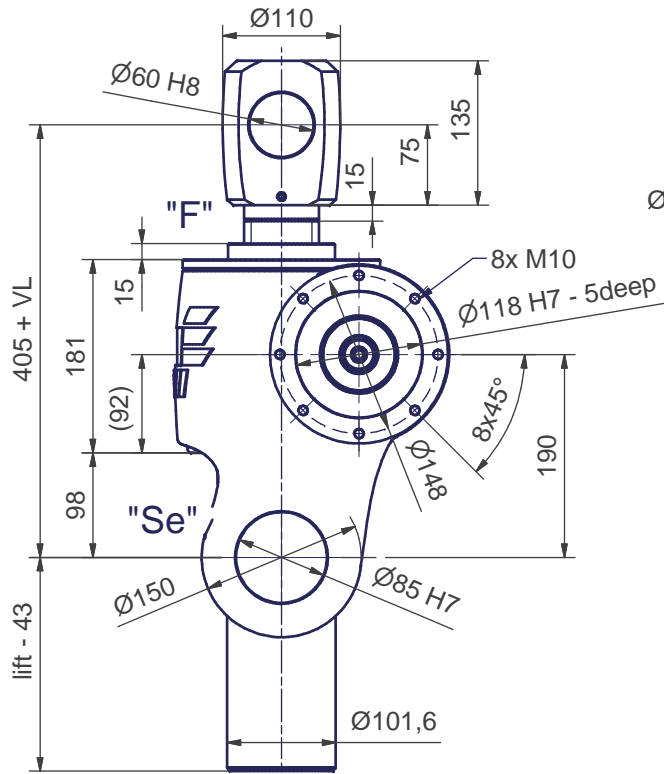
for detailed technical information and accessories please refer to our catalogue "Screw Jack Compendium" or visit our homepage www.pfaff-silberblau.com

Alle bestehenden oder zu erwerbenden Rechte am Inhalt dieses Dokuments, einschließlich Patent-, Urheber-, Gebrauchsmuster-, Geschmacksmuster- und Markenrechte sowie vertrauliche Informationen und Know-How, bleiben ausdrücklich dem ausschließlichen Inhaber Columbus McKinnon Engineered Products GmbH vorbehalten. Jeder Akt der unbefugten Vervielfältigung, Verbreitung oder sonstigen Nutzung ist untersagt und wird gerichtlich verfolgt.

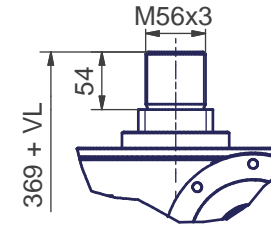
All rights to the content of this document, including patents, copyrights, utility models, designs, trademarks as well as confidential information and know-how, existing or to obtain, are explicitly reserved to the exclusive owner Columbus McKinnon Engineered Products GmbH. All unauthorized acts of copying, distribution or any other kind of use is prohibited and will result in legal prosecution.

General DIN tolerances:		 COLUMBUS MCKINNON Engineered Products GmbH Am Silberpark 2-8, 86438 Kissing/Germany	Scale: 1:2 (1:5)	Weight kg: 76.733
			Material - Treatment:	
			Dimension: DIN	
			Art. Nr.-pref.:	Art. Nr.-blank.:
			SSP 20.1 type1 A - Fe/Sf	
			head III, IV, IV-SSP	
			DNr. A13.16.115/000-3400BL02	
Change No.	Index	Date	Name	Replaced by:

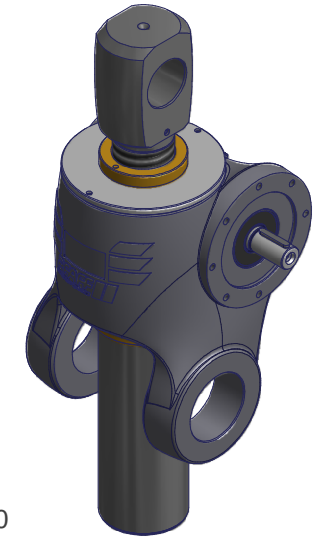
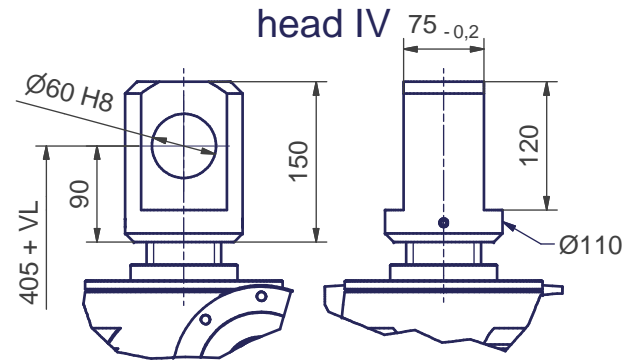
head IV-SSP



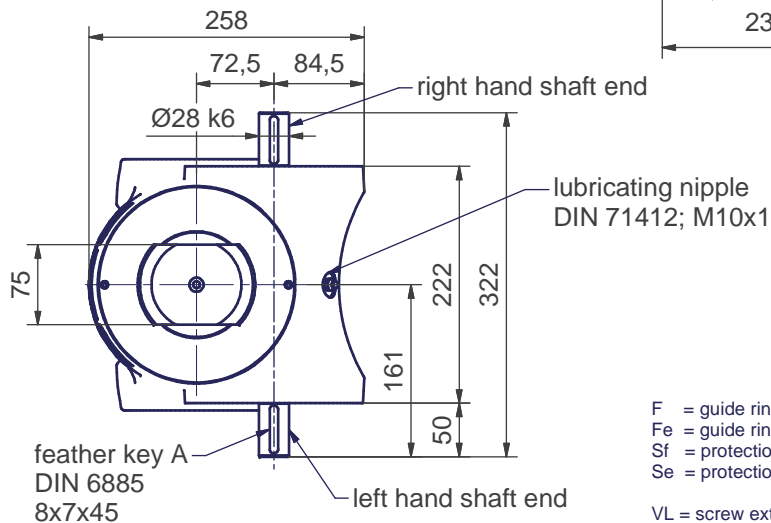
head III



head IV



- materials:
- housing 1.4552
 - worm 1.4057
 - guide rings CuZn37Mn3Al2PbSi
 - standard parts A2/A4
 - other parts 1.4571



- F = guide ring
 Fe = guide ring and limit stop
 Sf = protection tube and guide ring
 Se = protection tube and limit stop
- VL = screw extension
 screw jacks are supplied with two
 shaft ends as standard

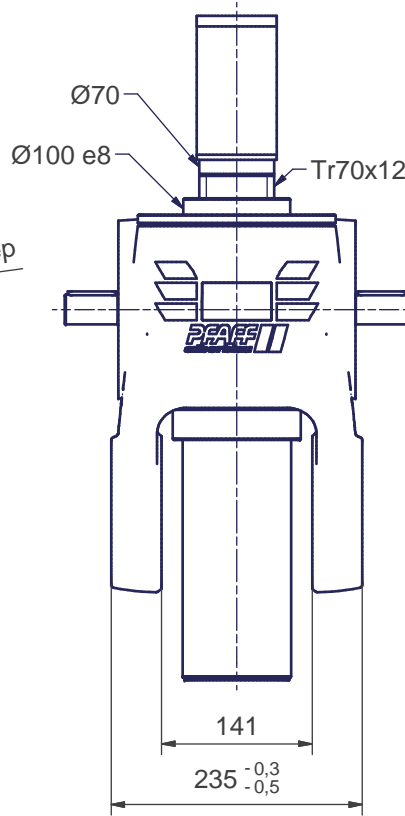
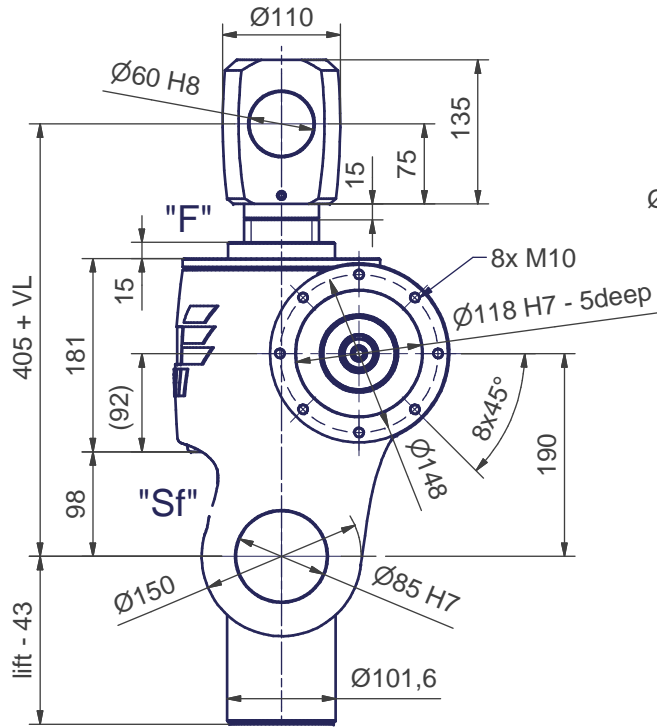
for detailed technical information and accessories please refer to our catalogue "Screw Jack Compendium" or visit our homepage www.pfaff-silberblau.com

Alle bestehenden oder zu erwerbenden Rechte am Inhalt dieses Dokuments, einschließlich Patent-, Urheber-, Gebrauchsmuster-, Geschmacksmuster- und Markenrechte sowie vertrauliche Informationen und Know-How, bleiben ausdrücklich dem ausschließlichen Inhaber Columbus McKinnon Engineered Products GmbH vorbehalten. Jeder Akt der unbefugten Vervielfältigung, Verbreitung oder sonstigen Nutzung ist untersagt und wird gerichtlich verfolgt.

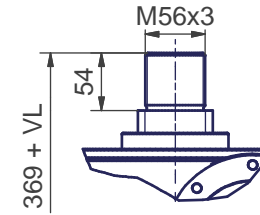
All rights to the content of this document, including patents, copyrights, utility models, designs, trademarks as well as confidential information and know-how, existing or to obtain, are explicitly reserved to the exclusive owner Columbus McKinnon Engineered Products GmbH. All unauthorized acts of copying, distribution or any other kind of use is prohibited and will result in legal prosecution.

General DIN tolerances:		 COLUMBUS MCKINNON Engineered Products GmbH Am Silberpark 2-8, 86438 Kissing/Germany	Scale: 1:2 (1:5)	Weight kg: 77.301
			Material - Treatment:	
			Dimension: DIN	
			Art. Nr.-pref.:	Art. Nr.-blank.:
			SSP 20.1 type1 A - F/Se head III, IV, IV-SSP	
			DNr. A13.16.115/000-2800BL02	
Change No.	Index	Date	Name	Replacing:
				Replaced by:

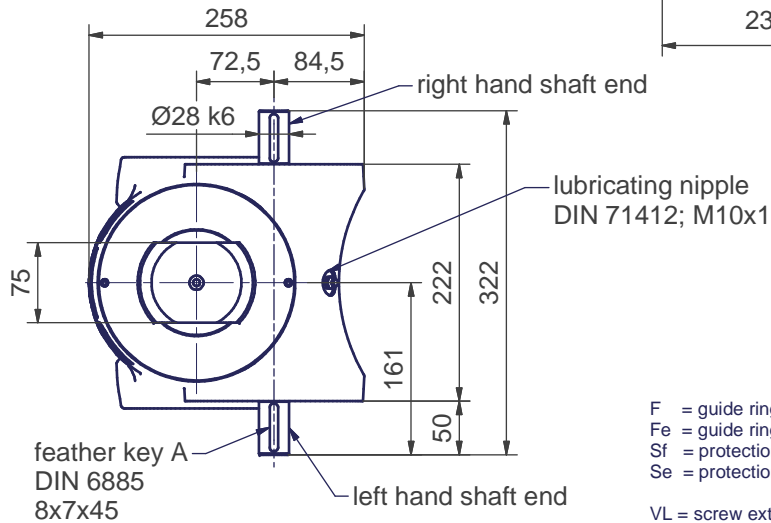
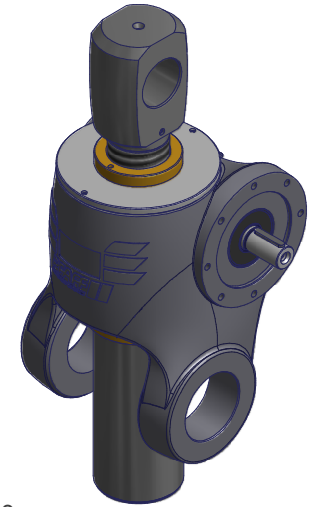
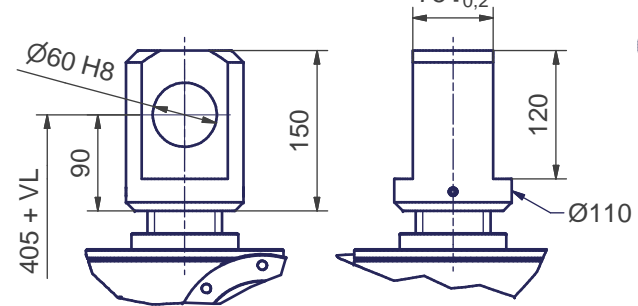
head IV-SSP



head III



head IV



F = guide ring
 Fe = guide ring and limit stop
 Sf = protection tube and guide ring
 Se = protection tube and limit stop

VL = screw extension
 screw jacks are supplied with two shaft ends as standard

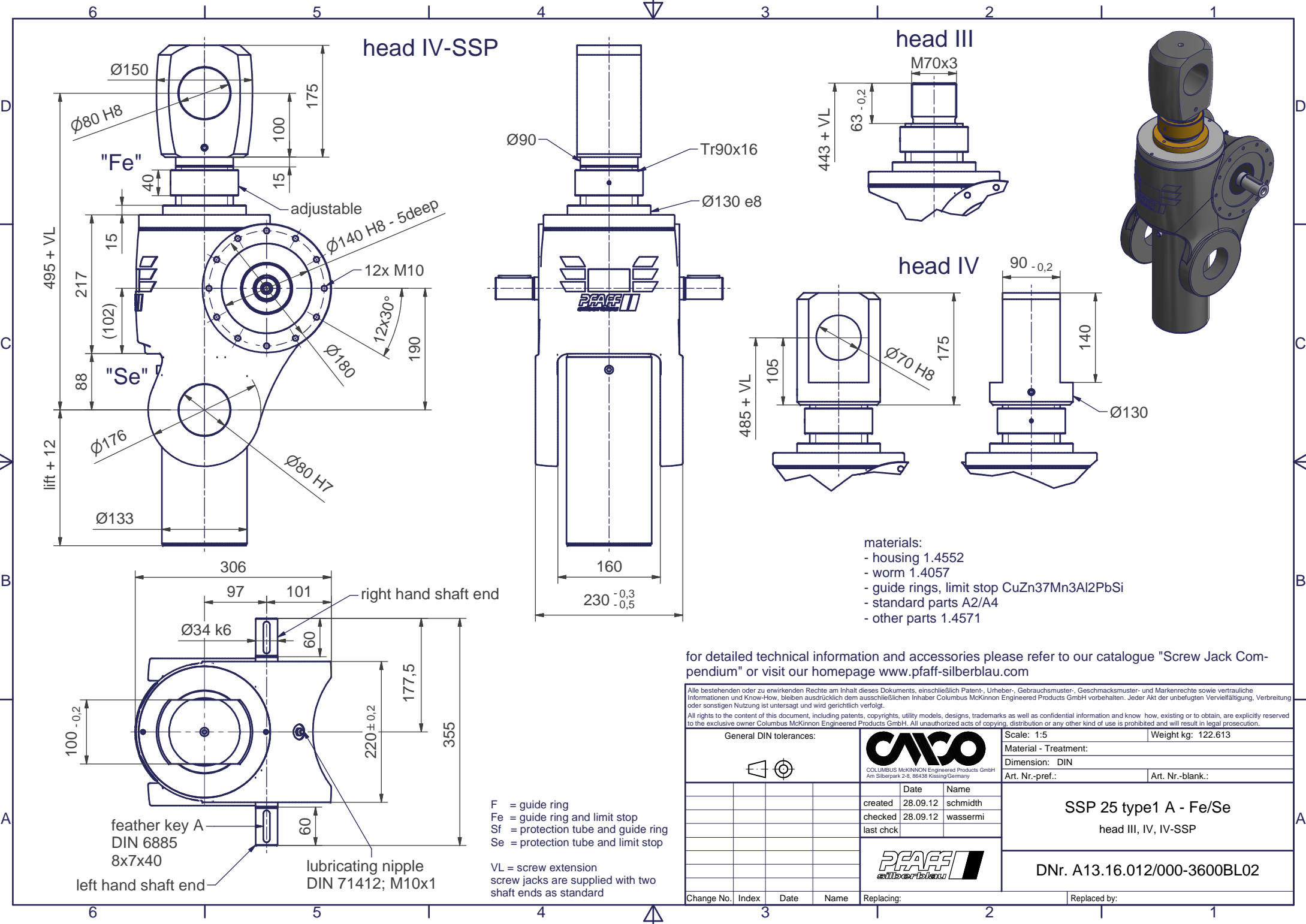
- materials:
- housing 1.4552
 - worm 1.4057
 - guide rings CuZn37Mn3Al2PbSi
 - standard parts A2/A4
 - other parts 1.4571

for detailed technical information and accessories please refer to our catalogue "Screw Jack Compendium" or visit our homepage www.pfaff-silberblau.com

Alle bestehenden oder zu erwerbenden Rechte am Inhalt dieses Dokuments, einschließlich Patent-, Urheber-, Gebrauchsmuster-, Geschmacksmuster- und Markenrechte sowie vertrauliche Informationen und Know-How, bleiben ausdrücklich dem ausschließlichen Inhaber Columbus McKinnon Engineered Products GmbH vorbehalten. Jeder Akt der unbefugten Vervielfältigung, Verbreitung oder sonstigen Nutzung ist untersagt und wird gerichtlich verfolgt.

All rights to the content of this document, including patents, copyrights, utility models, designs, trademarks as well as confidential information and know how, existing or to obtain, are explicitly reserved to the exclusive owner Columbus McKinnon Engineered Products GmbH. All unauthorized acts of copying, distribution or any other kind of use is prohibited and will result in legal prosecution.

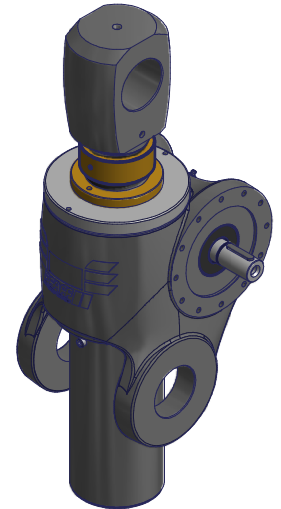
General DIN tolerances:			Scale: 1:2 (1:5)	Weight kg: 74.325
			Material - Treatment:	
		Dimension: DIN		
		Art. Nr.-pref.:		Art. Nr.-blank.:
		Date	Name	
		created 28.09.12	schmidth	
		checked 28.09.12	wassermi	
		last chck		
		SSP 20.1 type1 A - F/Sf		
				head III, IV, IV-SSP
		DNr. A13.16.115/000-2600BL02		
Change No.	Index	Date	Name	Replacing:
				Replaced by:



head IV-SSP

head III

head IV



- materials:
- housing 1.4552
 - worm 1.4057
 - guide rings, limit stop CuZn37Mn3Al2PbSi
 - standard parts A2/A4
 - other parts 1.4571

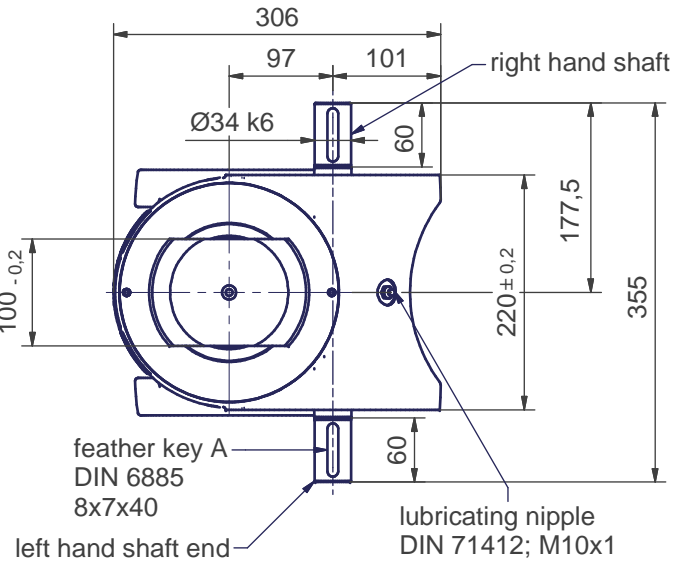
for detailed technical information and accessories please refer to our catalogue "Screw Jack Compendium" or visit our homepage www.pfaff-silberblau.com

Alle bestehenden oder zu erwerbenden Rechte am Inhalt dieses Dokuments, einschließlich Patent-, Urheber-, Gebrauchsmuster-, Geschmacksmuster- und Markenrechte sowie vertrauliche Informationen und Know-How, bleiben ausdrücklich dem ausschließlichen Inhaber Columbus McKinnon Engineered Products GmbH vorbehalten. Jeder Akt der unbefugten Vervielfältigung, Verbreitung oder sonstigen Nutzung ist untersagt und wird gerichtlich verfolgt.

All rights to the content of this document, including patents, copyrights, utility models, designs, trademarks as well as confidential information and know how, existing or to obtain, are explicitly reserved to the exclusive owner Columbus McKinnon Engineered Products GmbH. All unauthorized acts of copying, distribution or any other kind of use is prohibited and will result in legal prosecution.

General DIN tolerances:		 COLUMBUS MCKINNON Engineered Products GmbH Am Silberpark 2-8, 86438 Kissing/Germany	Scale: 1:5	Weight kg: 122.613
			Material - Treatment:	
			Dimension: DIN	
			Art. Nr.-pref.:	Art. Nr.-blank.:
			SSP 25 type1 A - Fe/Se	
			head III, IV, IV-SSP	
			DNr. A13.16.012/000-3600BL02	
Change No.	Index	Date	Name	Replaced by:

- F = guide ring
 - Fe = guide ring and limit stop
 - Sf = protection tube and guide ring
 - Se = protection tube and limit stop
 - VL = screw extension
- screw jacks are supplied with two shaft ends as standard



A

A

B

B

C

C

D

D

6

5

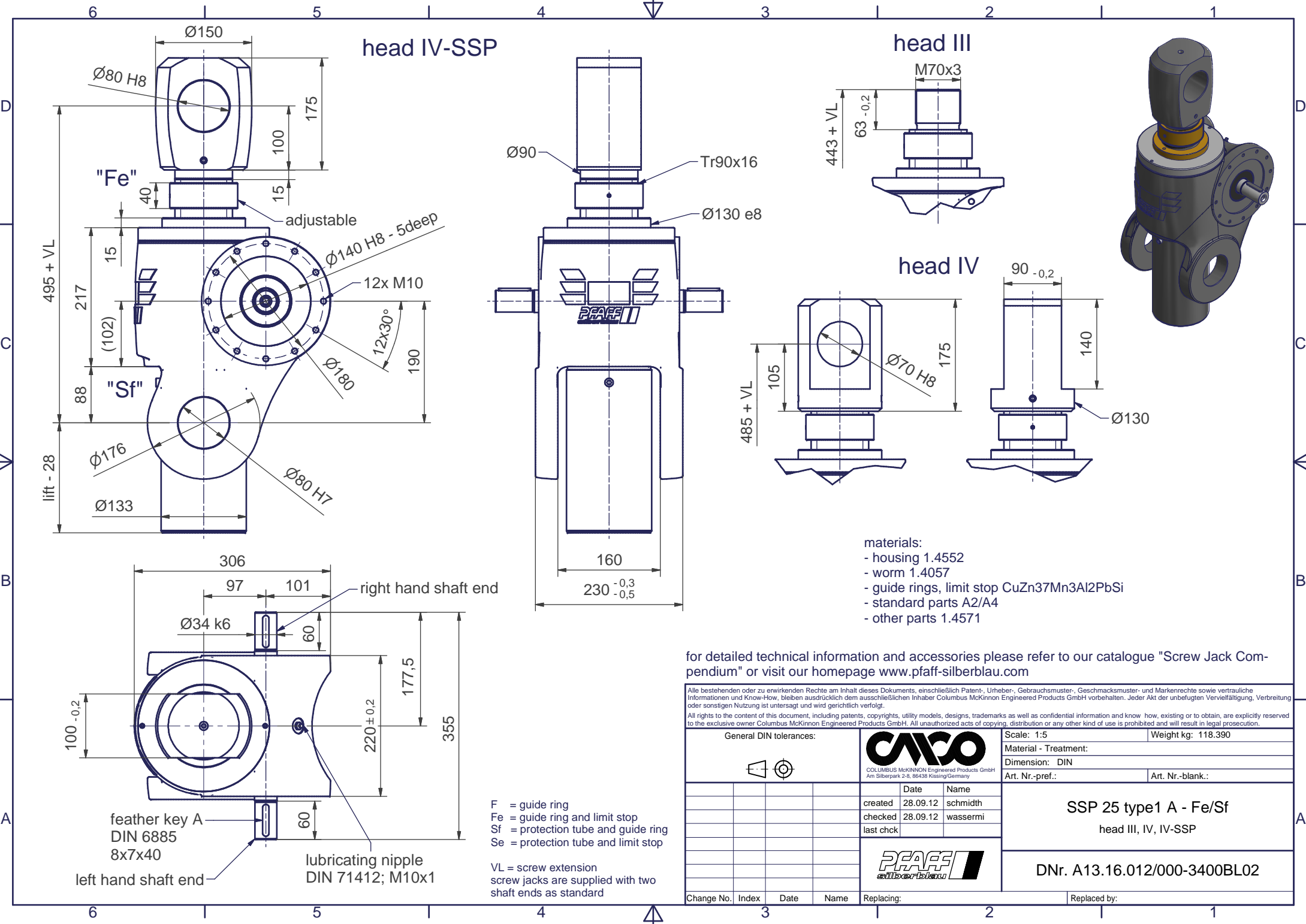
4

3

2

1





- materials:
- housing 1.4552
 - worm 1.4057
 - guide rings, limit stop CuZn37Mn3Al2PbSi
 - standard parts A2/A4
 - other parts 1.4571

for detailed technical information and accessories please refer to our catalogue "Screw Jack Compendium" or visit our homepage www.pfaff-silberblau.com

Alle bestehenden oder zu erwerbenden Rechte am Inhalt dieses Dokuments, einschließlich Patent-, Urheber-, Gebrauchsmuster-, Geschmacksmuster- und Markenrechte sowie vertrauliche Informationen und Know-How, bleiben ausdrücklich dem ausschließlichen Inhaber Columbus McKinnon Engineered Products GmbH vorbehalten. Jeder Akt der unbefugten Vervielfältigung, Verbreitung oder sonstigen Nutzung ist untersagt und wird gerichtlich verfolgt.

All rights to the content of this document, including patents, copyrights, utility models, designs, trademarks as well as confidential information and know how, existing or to obtain, are explicitly reserved to the exclusive owner Columbus McKinnon Engineered Products GmbH. All unauthorized acts of copying, distribution or any other kind of use is prohibited and will result in legal prosecution.

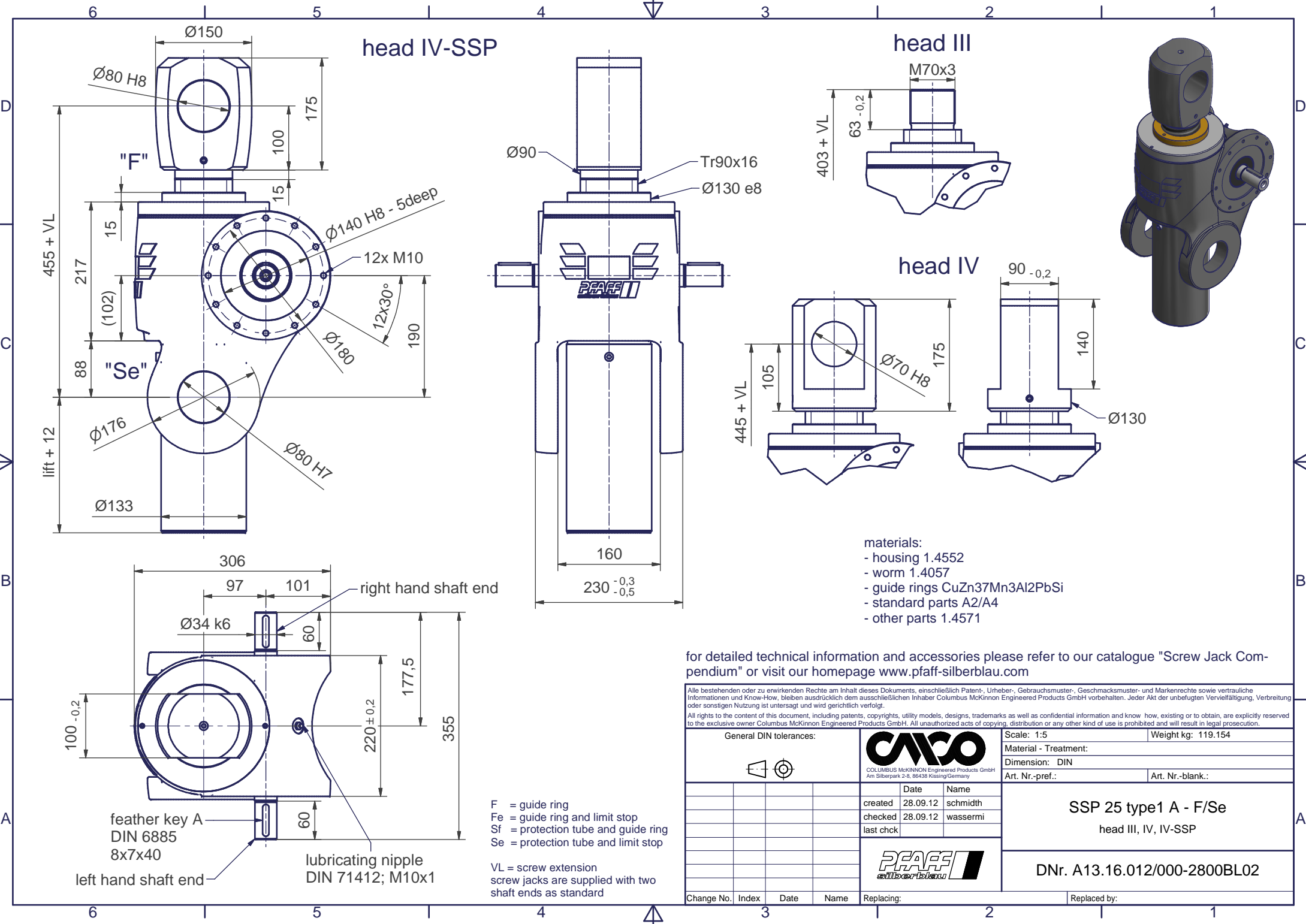
General DIN tolerances:		 COLUMBUS MCKINNON Engineered Products GmbH Am Silberpark 2-8, 86438 Kissing/Germany	Scale: 1:5	Weight kg: 118,390	
			Material - Treatment:		
			Dimension: DIN		
			Art. Nr.-pref.:	Art. Nr.-blank.:	
			SSP 25 type1 A - Fe/Sf head III, IV, IV-SSP		
		Date			Name
		created 28.09.12			schmidth
		checked 28.09.12			wassermi
		last chck			
Change No.	Index	Date	Name	Replacing:	Replaced by:

- F = guide ring
 Fe = guide ring and limit stop
 Sf = protection tube and guide ring
 Se = protection tube and limit stop
- VL = screw extension
 screw jacks are supplied with two shaft ends as standard

feather key A
 DIN 6885
 8x7x40

left hand shaft end

lubricating nipple
 DIN 71412; M10x1



- materials:
- housing 1.4552
 - worm 1.4057
 - guide rings CuZn37Mn3Al2PbSi
 - standard parts A2/A4
 - other parts 1.4571

for detailed technical information and accessories please refer to our catalogue "Screw Jack Compendium" or visit our homepage www.pfaff-silberblau.com

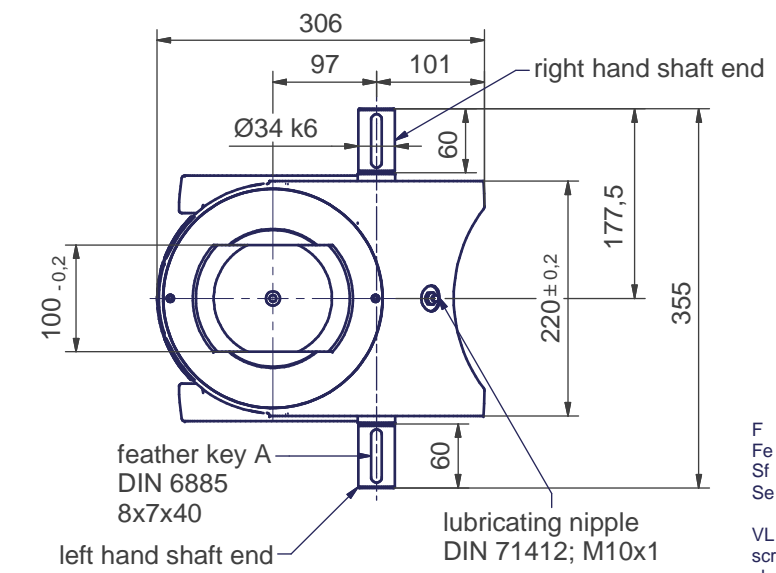
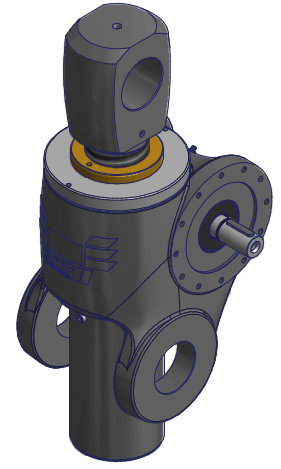
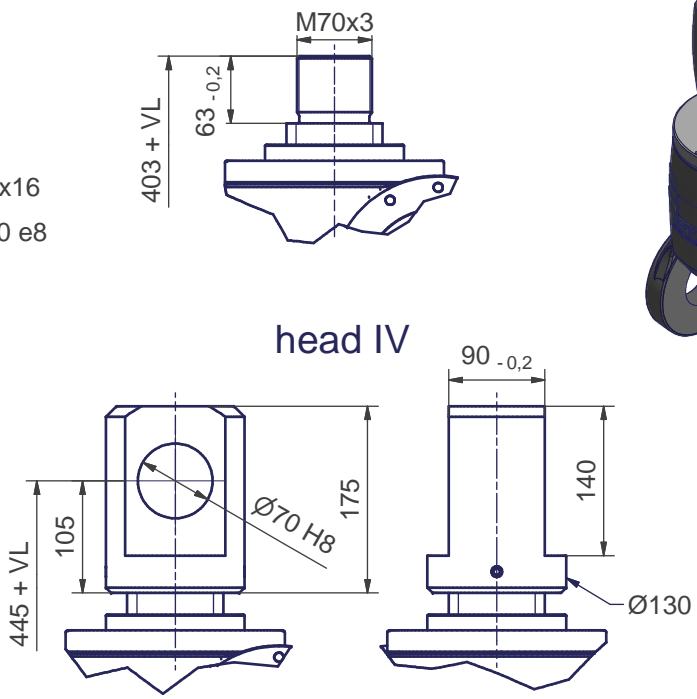
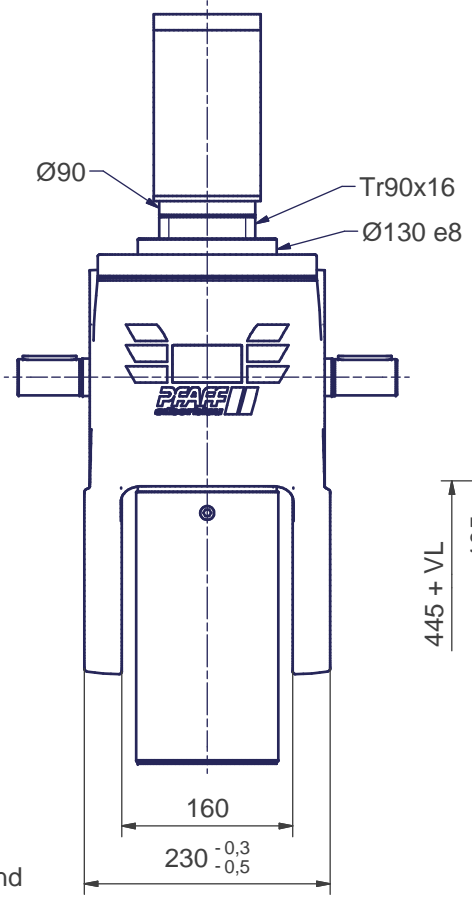
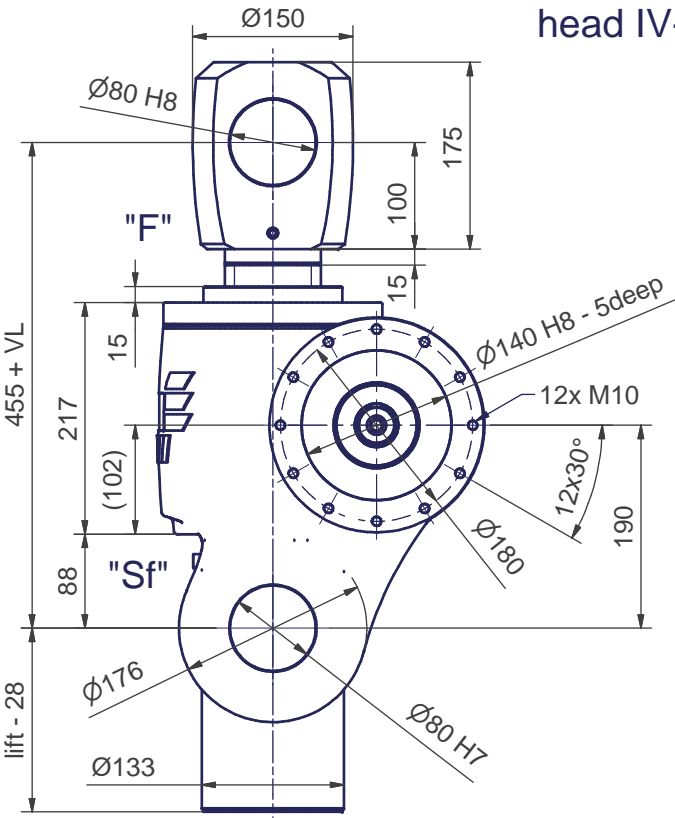
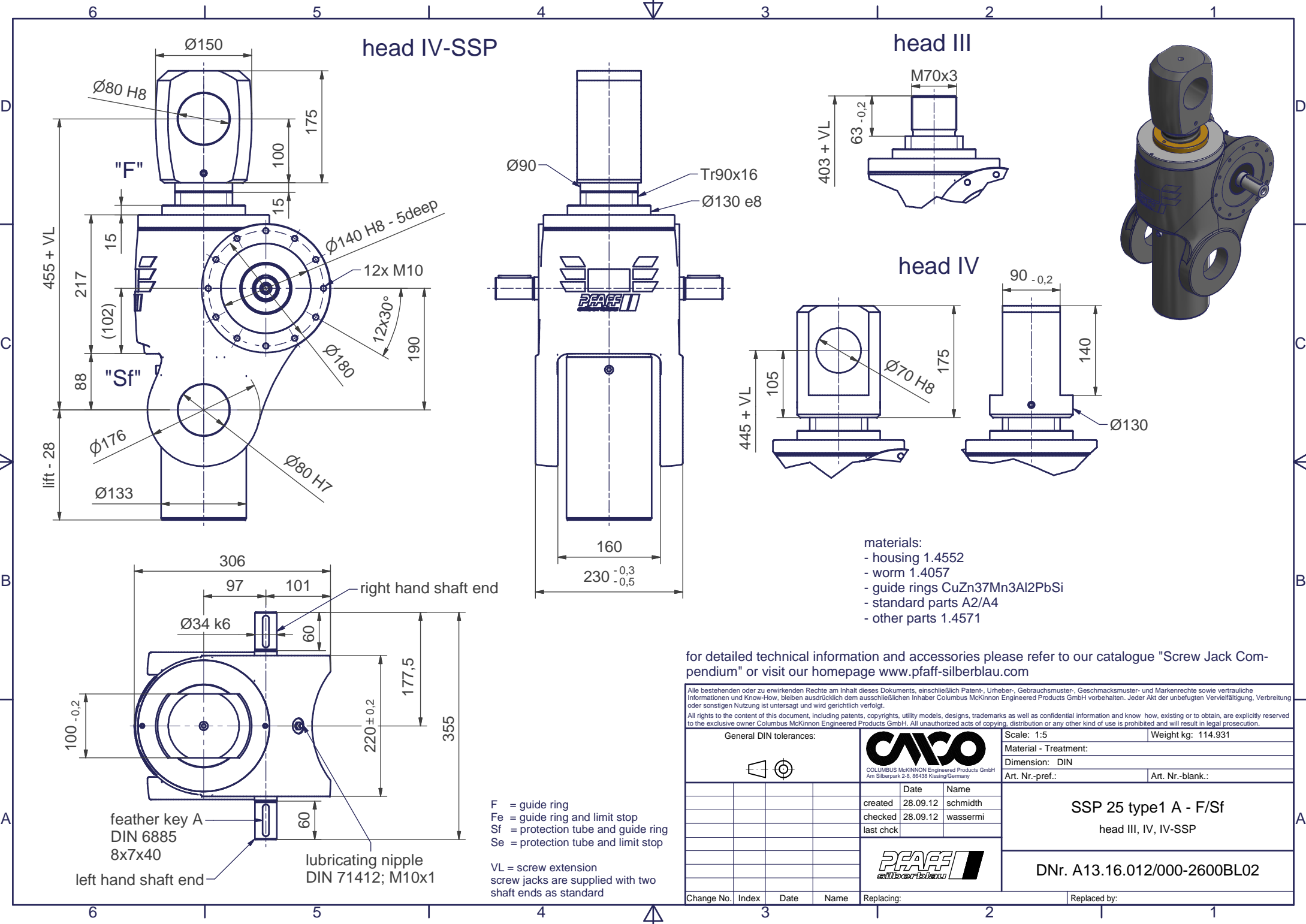
Alle bestehenden oder zu erwirkenden Rechte am Inhalt dieses Dokuments, einschließlich Patent-, Urheber-, Gebrauchsmuster-, Geschmacksmuster- und Markenrechte sowie vertrauliche Informationen und Know-How, bleiben ausdrücklich dem ausschließlichen Inhaber Columbus McKinnon Engineered Products GmbH vorbehalten. Jeder Akt der unbefugten Vervielfältigung, Verbreitung oder sonstigen Nutzung ist untersagt und wird gerichtlich verfolgt.

All rights to the content of this document, including patents, copyrights, utility models, designs, trademarks as well as confidential information and know how, existing or to obtain, are explicitly reserved to the exclusive owner Columbus McKinnon Engineered Products GmbH. All unauthorized acts of copying, distribution or any other kind of use is prohibited and will result in legal prosecution.

F = guide ring
 Fe = guide ring and limit stop
 Sf = protection tube and guide ring
 Se = protection tube and limit stop

VL = screw extension
 screw jacks are supplied with two shaft ends as standard

General DIN tolerances:				Scale: 1:5		Weight kg: 119,154	
				Material - Treatment:			
		COLUMBUS MCKINNON Engineered Products GmbH Am Silberpark 2-8, 86438 Kissing/Germany		Dimension: DIN			
				Art. Nr.-pref.:		Art. Nr.-blank.:	
				SSP 25 type1 A - F/Se head III, IV, IV-SSP			
				DNr. A13.16.012/000-2800BL02			
Change No.	Index	Date	Name	Replacing:		Replaced by:	



F = guide ring
 Fe = guide ring and limit stop
 Sf = protection tube and guide ring
 Se = protection tube and limit stop

VL = screw extension
 screw jacks are supplied with two shaft ends as standard

General DIN tolerances:			Scale: 1:5	Weight kg: 114.931
			Material - Treatment:	
			Dimension: DIN	
			Art. Nr.-pref.:	Art. Nr.-blank.:
		Date	Name	
		created 28.09.12	schmidth	
		checked 28.09.12	wassermi	
		last chck		
		SSP 25 type1 A - F/Sf		
		head III, IV, IV-SSP		
		DNr. A13.16.012/000-2600BL02		
Change No.	Index	Date	Name	Replacing:
				Replaced by: