



INDUSTRIAL
**STAINLESS
ESSENTIALS**
QUALITY

Clevises - Rod Ends - Ball Joints

**3D-STEP
DOWNLOADS**

 **BÖNNEKAMP**
MECHANICAL COMPONENTS

Rod Ends

MAINTENANCE-FREE

AVAILABLE ▶

SS 304

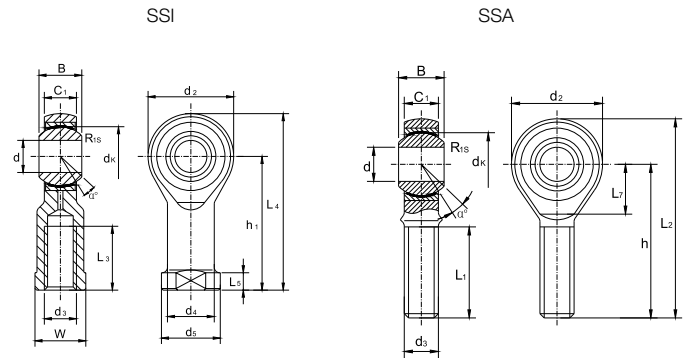
SS 316



SSI



SSA



Part No.	Dimensions (mm)														Weight (kg)
	d	d ₃ 6H	B	C ₁	W	h ₁	d ₂	L ₄	L ₅	d ₄	d ₅	d _k	L ₃ -2	α =	
SSI 5	5	M5 × 0.8	8	6	9	27	18	36	4	8.5	11	11.11	10	13	0.016
SSI 6	6	M6 × 1.0	9	6.75	11	30	20	40	5	10	13	12.70	12	13	0.022
SSI 8	8	M8 × 1.25	12	9	14	36	24	48	5	12.5	16	15.875	16	14	0.047
SSI 10	10	M10 × 1.5	14	10.5	17	43	28	57	6.5	15	19	19.05	20	13	0.077
SSI 10 MF	10	M10 × 1.25	14	10.5	17	43	28	57	6.5	15	19	19.05	20	13	0.077
SSI 12	12	M12 × 1.75	16	12	19	50	32	66	6.5	17.5	22	22.225	22	13	0.100
SSI 12 MF	12	M12 × 1.25	16	12	19	50	32	66	6.5	17.5	22	22.225	22	13	0.100
SSI 16 MF	16	M16 × 1.5	21	15	22	64	42	85	8	22	27	28.575	28	15	0.220
SSI 20 MF	20	M20 × 1.5	25	18	30	77	50	102	10	27.5	34	34.925	33	14	0.420

Part No.	Dimensions (mm)												Weight (kg)
	d	d ₃ 6g	B	C ₁	L ₁ min	d ₂	L ₇	h	L ₂	d _k	R _{1S}	α ≈	
SSA 5	5	M5 × 0.8	8	6	19	18		33	42	11.11	0.3	13	0.013
SSA 6	6	M6 × 1.0	9	6.75	21	20		36	46	12.70	0.3	13	0.020
SSA 8	8	M8 × 1.25	12	9	25	24		42	54	15.875	0.3	14	0.038
SSA 10	10	M10 × 1.5	14	10.5	28	28		48	62	19.05	0.3	13	0.055
SSA 10 MF	10	M10 × 1.25	14	10.5	28	28		48	62	19.05	0.3	13	0.055
SSA 12	12	M12 × 1.75	16	12	32	32		54	70	22.225	0.3	13	0.085
SSA 12 MF	12	M12 × 1.25	16	12	32	32		54	70	22.225	0.3	13	0.085
SSA 16 MF	16	M16 × 1.5	21	15	37	42	21	66	87	28.575	0.3	15	0.21
SSA 20 MF	20	M20 × 1.5	25	18	45	50	25	78	103	34.925	0.3	14	0.38

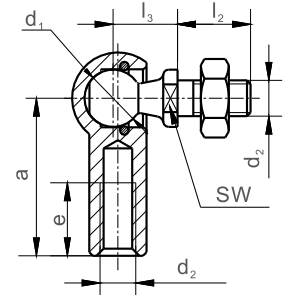
Ball Joints

DIN71802

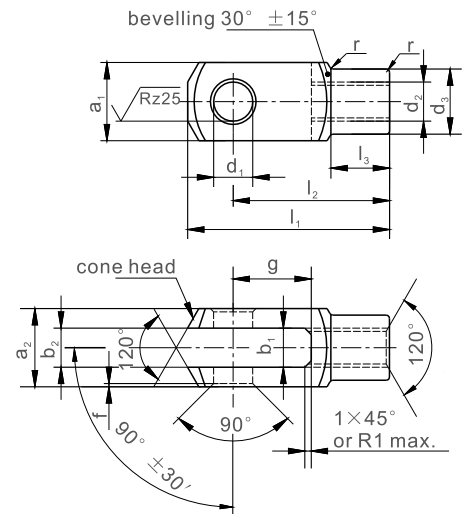
AVAILABLE ▶

SS 304

SS 316



Part No.	Dimensions (mm)							Weight (kg)	
	d_1	d_2	l_2	l_3	e	α	SW	kg/1000 pieces	
	h_9		± 0.3	± 0.3	min.	± 0.3	h_{14}	Kg=	
CS 8 M5	8	M 5 × 0.8	10.2	9	10.2	22	7	15.20	
CS 10 M6	10	M 6 × 1	12.5	11	11.5	25	8	25.20	
CS 13 M8	13	M 8 × 1.25	16.5	13	14.0	30	11	53.10	
CS 16 M10	16	M 10 × 1.5	20.0	16	15.5	35	13	103.8	
CS 16 M12	16	M 12 × 1.75	20.0	16	15.5	35	13	103.8	
CS 19 M14 MF	19	M 14 × 1.5	28.0	20	21.5	45	16	220.9	
CS 19 M14	19	M 14 × 2	28.0	20	21.5	45	16	220.9	
CS 19 M16	19	M 16 × 2	28.0	20	21.5	45	16	220.9	



Part No.	Dimensions (mm)														Weight (kg)		
	d ₁	g	a ₁	a ₂	b ₁	b ₂	d ₂		d ₃	f	l ₁	l ₂	l ₃	r			
	H9	±0.5	h11	+0.30 -0.16	B13		Adm. Variation	Regular thread	Fine-pitch thread	±0.3	±0.2	±0.5	Adm. Variation	±0.2	Kg=		
G 4 × 8	4	8	8	8	4	4	B13	M4 × 0.7		8	0.5	21	16	± 0.3	6.0	0.5	0.005
G 5 × 10	5	10	10	10	5	5	B13	M5 × 0.8		9	0.5	26	20	± 0.3	7.5	0.5	0.009
G 5 × 20	5	20	10	10	5	5	B13	M5 × 0.8		9	0.5	36	30	± 0.3	7.5	0.5	0.013
G 6 × 12	6	12	12	12	6	6	B13	M6 × 1		10	0.5	31	24	± 0.3	9.0	0.5	0.015
G 6 × 24	6	24	12	12	6	6	B13	M6 × 1		10	0.5	43	36	± 0.4	9.0	0.5	0.021
G 8 × 16	8	16	16	16	8	8	B13	M8 × 1.25		14	0.5	42	32	± 0.4	12.0	0.5	0.037
G 8 × 32	8	32	16	16	8	8	B13	M8 × 1.25		14	0.5	58	48	± 0.4	12.0	0.5	0.054
G 10 × 20	10	20	20	20	10	10	B13	M10 × 1.5		18	0.5	52	40	± 0.4	15.0	0.5	0.074
G 10 × 20 MF	10	20	20	20	10	10	B13		M10 × 1.25	18	0.5	52	40	± 0.4	15.0	0.5	0.074
G 12 × 24	12	24	24	24	12	12	+0.7 +0.15	M12 × 1.75		20	0.5	62	48	± 0.4	18.0	0.5	0.121
G 12 × 24 MF	12	24	24	24	12	12	+0.7 +0.15		M12 × 1.25	20	0.5	62	48	± 0.4	18.0	0.5	0.121
G 12 × 48	12	48	24	24	12	12	+0.7 +0.15	M12 × 1.75		20	0.5	86	72	± 0.4	18.0	0.5	0.175
G 14 × 28	14	28	27	27	14	14	+0.7 +0.15	M14 × 2		24	1.0	72	56	± 0.4	22.5	1.0	0.178
G 16 × 32	16	32	32	32	16	16	+0.7 +0.15	M16 × 2		26	1.0	83	64	± 0.4	24.0	1.0	0.282
G 16 × 32 MF	16	32	32	32	16	16	+0.7 +0.15		M16 × 1.5	26	1.0	83	64	± 0.4	24.0	1.0	0.282
G 18 × 36 MF	18	36	36	36	18	18	+0.7 +0.15		M18 × 1.5	30	1.0	94	72	± 0.4	27.0	1.5	0.39
G 20 × 40	20	40	40	40	20	20	+0.7 +0.15	M20 × 2.5		34	1.0	105	80	± 0.4	30.0	1.5	0.55
G 20 × 40 MF	20	40	40	40	20	20	+0.7 +0.15		M20 × 1.5	34	1.0	105	80	± 0.4	30.0	1.5	0.55
G 25 × 50 MF	25	50	50	50	25	25	+0.7 +0.15		M24 × 2	42	1.5	132	100	± 0.4	36.0	1.5	1.10
G 30 × 54 MF	30	54	55	55	30	30	+0.7 +0.15		M27 × 2	48	1.5	148	110	± 0.4	40.0	2.0	1.44

Assembly parts available



GPA



GPA-R



GPA-C



Stainless steel

304

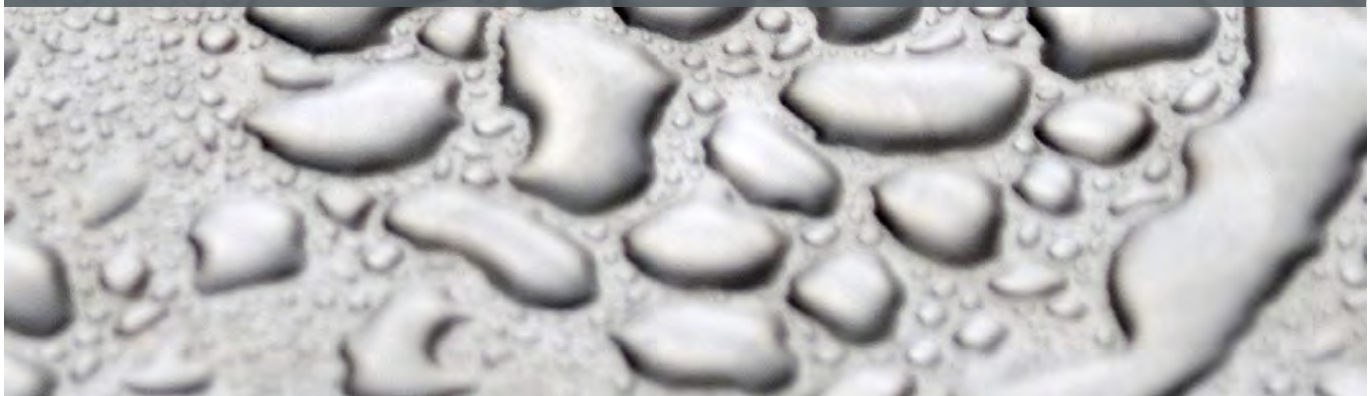
- 18% chromium, 8% nickel and low carbon
- Versatile and commonly used
- Good resistance to oxidation and corrosion
- Low cost (relatively)
- Also known as AISI 304 and A2



Stainless steel

316

- 16% chromium, 10% nickel and 2% molybdenum
- Resistant to chemicals and heat
- Superior resistance to oxidation and corrosion
- Avoids metallic contamination
- Also known as AISI 316 and A4





DOWNLOAD OUR COMPLETE CATALOGUE!

www.bonnekamp.eu.com

Authorized distributor

