



AM SERIES

- ▶ Small volume
- ▶ Good repeatability
- ▶ Direct drive
- ▶ Standard design
- ▶ Flexible in stacking up XY, XT or XYT stage

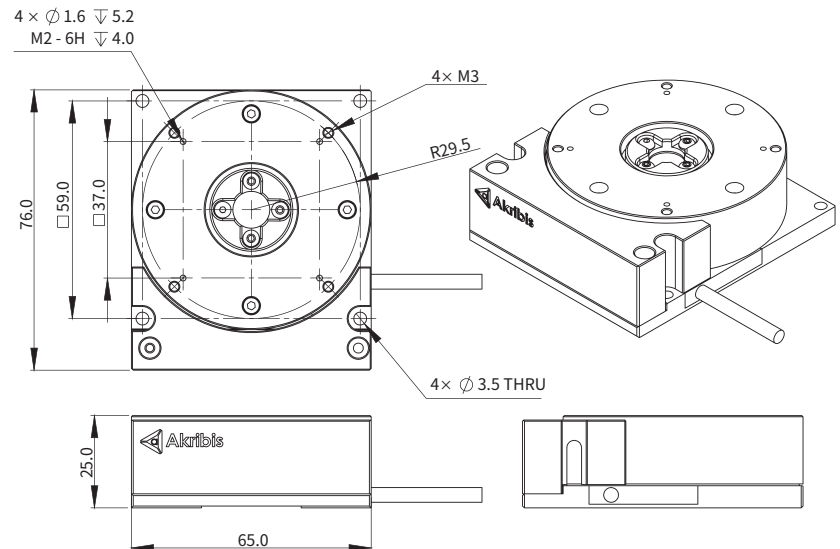
AMR Series

Mini rotary position module

Specifications	Unit	Value
Stroke ¹	Degree	50
Continuous Torque	Nm	0.13
Peak Torque	Nm	0.51
Resolution	lines/rev	ABI22 (SINCOS): 2568 AT2 (SINCOS): 10272
Bidirectional Repeatability	arc sec	ABI22 SINCOS: ±0.5 (4096X) AT2 SINCOS: ±0.5 (4096X)
Max. Speed	Degree/s	720
Axial Runout	μm	5
Radial Runout	μm	10
Rotor Inertia	Kg.m ²	0.00014
No-load Total Mass	Kg	0.52
Max. Allowable Axial Load	N	18
Max. Allowable Moment Load	Nm	0.84

¹ Effective stroke is 1 degree from hardstop, hardstop to hardstop = 52 degrees.

Dimension Drawing



AMS Series

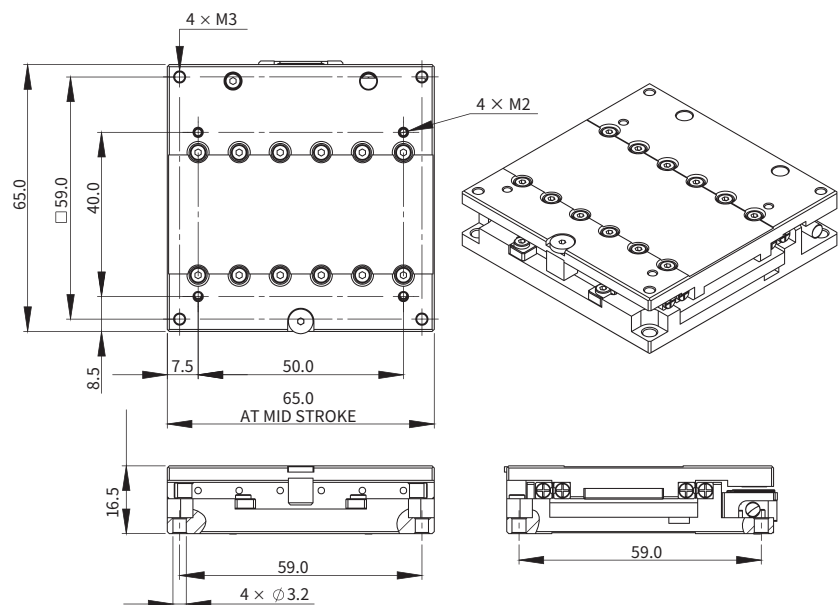
Ultra-thin mini linear position module

Specifications	Unit	Value
Stroke ¹	mm	15
Continuous Force	Nm	4.6
Peak Force	Nm	8.4
Resolution	μm	ABI22: SINCOS ABI21: 0.5/0.2 AT2: SINCOS AT2: 0.2/0.05
Bidirectional Repeatability	μm	ABI22 SINCOS: ±0.4 (4096X) ABI21 0.5/0.2: ±1 AT2 0.2/0.05: ±0.5 AT2 SINCOS: ±0.3 (4096X)
Straightness	μm	±1.5
Flatness	μm	±1.5
Rated Payload ²	Kg	0.3
No-load Moving Mass	Kg	0.18
No-load Total Mass	Kg	0.42
Max. Allowable Payload	Kg	3.0
Max. Allowable Roll Moment Load	Nm	1.6
Max. Allowable Pitch Moment Load	Nm	2.0
Max. Allowable Yaw Moment Load	Nm	2.4

¹ Effective stroke is 0.5mm from hardstop, hardstop to hardstop = 16mm.

² The rated load is based on the load in which the acceleration of the mass is at least 1G.

Dimension Drawing



Ordering Part Number (OPN)

AMR1 T EOA 1 A 1

Model:

AMR1: AMR65D-50

Termination:

1: Flying Leads

Cover Type:

T: Standard (Black Anodized)

Cable Length:

A: 0.5m
B: 3.0m

Encoder Type:

E0A: ABI-22 (SINCOS)
E0F: ABI-21 (0.5µm)
E0G: ABI-21 (0.2µm)
ECA: ATOM2 (SINCOS)
ECG: ATOM2 (0.2µm)
ECJ: ATOM2 (0.05µm)

Scale Type:

1: Steel tape, 11ppm/K¹
4: Nickel, 14ppm/K²

AMS1 E EOA 1 A 1 A

Model:

AMS1: AMS65X-15

Guide Option:

A: Anti-creep cross roller
B: Non anti-creep cross roller

Cover Type:

E: EN

Termination:

1: Flying Leads

Encoder Type:

E0A: ABI-22 (SINCOS)
E0F: ABI-21 (0.5µm)
E0G: ABI-21 (0.2µm)
ECA: ATOM2 (SINCOS)
ECG: ATOM2 (0.2µm)
ECJ: ATOM2 (0.05µm)

Cable Length:

A: 0.5m
B: 3.0m

Scale Type:

1: Steel tape, 11ppm/K³
2: Glass G8 Soda Lime, 8ppm/K⁴

Note:

- ¹ ATOM2 uses steel tape scale only.
- ² ABI-21 & ABI-22 uses Nickel scale only.
- ³ ABI-21 uses steel tape scale only.
- ⁴ ATOM2 uses glass scale only.